

Changes or modifications not expressly approved by Bosch Security Systems, Inc. can void the user's authority to operate the equipment.

CULus

Use only a Listed Class 2 Power Limited power source.
Standby power: The Listed control unit or a Listed burglary power supply must provide 4 hours of standby power.
Install the unit in accordance with National Electrical Code NFPA 70 and Part 1 of the Canadian Electrical code CSA C22.1.
Model ISC-CDL1-W15H is not UL Listed.

FCC/IC

This device complies with part 15 of the FCC Rules and Industry Canada licence-exempt RSS standard(s). Operation is subject to the following two conditions:
(1) this device may not cause interference, and
(2) this device must accept any interference, including interference that may cause undesired operation of the device.
Le présent appareil est conforme aux CNR d'Industrie Canada applicables aux appareils radio exempts de licence. L'exploitation est autorisée aux deux conditions suivantes :

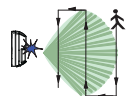
- (1) l'appareil ne doit pas produire de brouillage, et
- (2) l'utilisateur de l'appareil doit accepter tout brouillage radioélectrique subi, même si le brouillage est susceptible d'en compromettre le fonctionnement.

Under Industry Canada regulations, this radio transmitter may only operate using an antenna of a type and maximum (or lesser) gain approved for the transmitter by Industry Canada.

To reduce potential radio interference to other users, the antenna type and its gain should be so chosen that the equivalent isotropically radiated power (e.i.r.p.) is not more than that necessary for successful communication.

Conformément à la réglementation d'Industrie Canada, le présent émetteur radio peut fonctionner avec une antenne d'un type et d'un gain maximal (ou inférieur) approuvé pour l'émetteur par Industrie Canada.

Dans le but de réduire les risques de brouillage radioélectrique à l'intention des autres utilisateurs, il faut choisir le type d'antenne et son gain de sorte que la puissance isotrope rayonnée équivalente (p.i.r.e.) ne dépasse pas l'intensité nécessaire à l'établissement d'une communication satisfaisante.



Test yearly

Optional Brackets: B328, B338, B335
A mounting bracket can reduce the detector's range and create dead zones. Not investigated by UL. Not EN50131 compliant.
La certificazione IMQ decade nel caso di installazione del rilevatore con gli snodi opzionali.



Microwave:

If necessary, adjust microwave range slightly until required coverage is met.
Au besoin, ajuster légèrement la portée hyperfréquence jusqu'à atteindre le champ de détection souhaité.
Se necessario, regolare leggermente il range delle microonde fin a raggiungere la copertura richiesta.



This product is intended for use in the following countries within the European Union and in other countries outside the European Union:
ISC-CDL1-W15G (10.525 GHz): United States, Canada, Belgium, Denmark, Finland, Greece, Italy, Luxembourg, Netherlands, Norway, Portugal, Spain, Sweden.
ISC-CDL1-W15H (10.588 GHz): France, United Kingdom

SELV

Connect all wiring to a safety extra-low voltage (SELV) circuit only.
Ligue todas as cablagens apenas a um circuito de segurança de tensão extra baixa.
Conecte el cableado únicamente a un circuito de seguridad para voltajes muy bajos.
Sluit alle bedrading uitsluitend aan op een circuit met een extra lage veiligheids spanning.
Prenez soin de connecter tous les câbles à un circuit à très basse tension de sécurité (TBTS).
Collegare tutti i cavi esclusivamente a un circuito di sicurezza a bassissima tensione).

Copyright

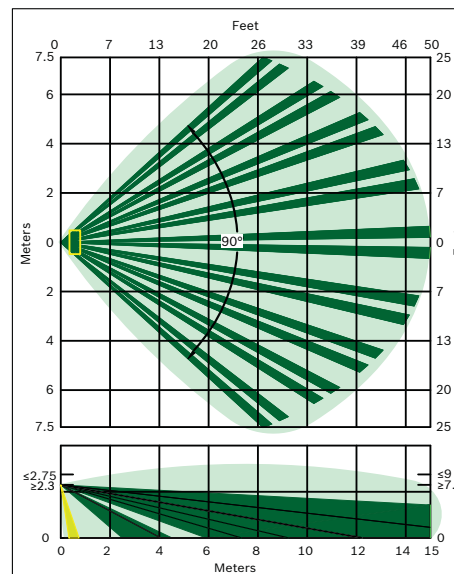
This document is the intellectual property of Bosch Security Systems, Inc., and is protected by copyright. All rights reserved.

Trademarks

All hardware and software product names used in this document are likely to be registered trademarks and must be treated accordingly.

Bosch Security Systems, Inc. product manufacturing dates

Use the serial number located on the product label and refer to the Bosch Security Systems, Inc. website at <http://www.boschsecurity.com/datecodes/>.



Logica: AND

Segnale microonda: pulsato

Potenza microonda: EIRP \leq 20 mW



Commercial Series
TriTech Motion Detector
ISC-CDL1-W15G, ISC-CDL1-W15H

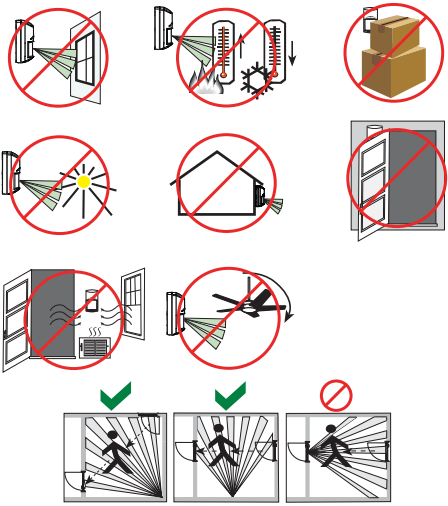


el Οδηγός εγκατάσταση
en Installation Guide
es Manual de instalación
fr Guide de l'installateur
pl Przewodnik instalacji
pt Guia de Instalação
sv Installationsguide

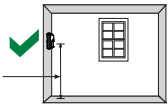
Bosch Security Systems, Inc.
130 Perinton Parkway
Fairport, NY 14450
USA

www.boschsecurity.com

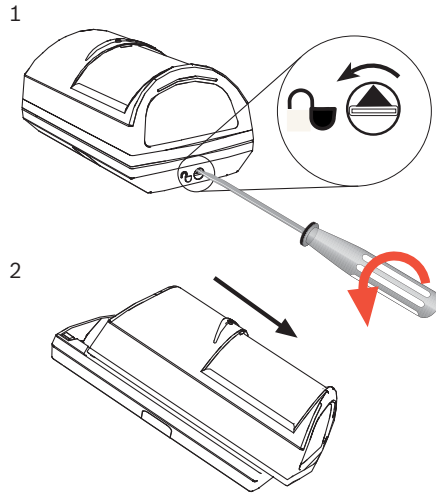
Bosch Sicherheitssysteme GmbH
Robert-Bosch-Ring 5
85630 Grasbrunn
Germany



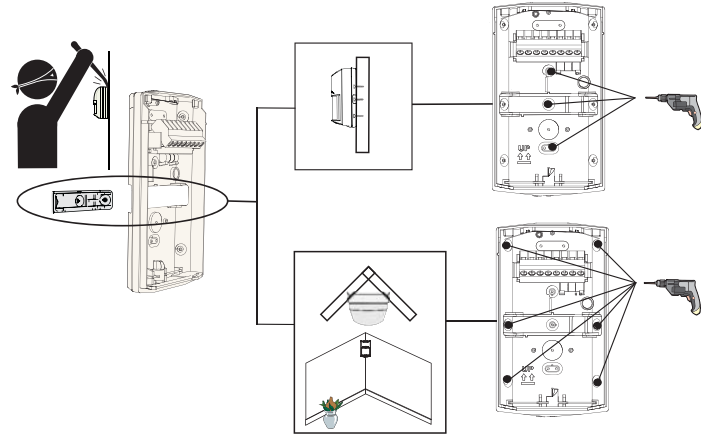
2,3 m - 2,75 m
(7.5 ft - 9 ft)



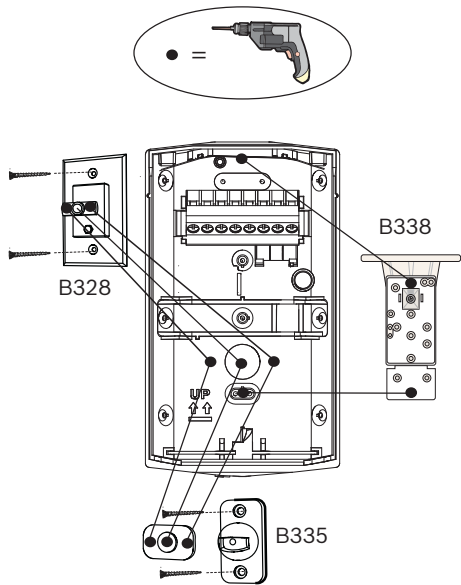
1 |



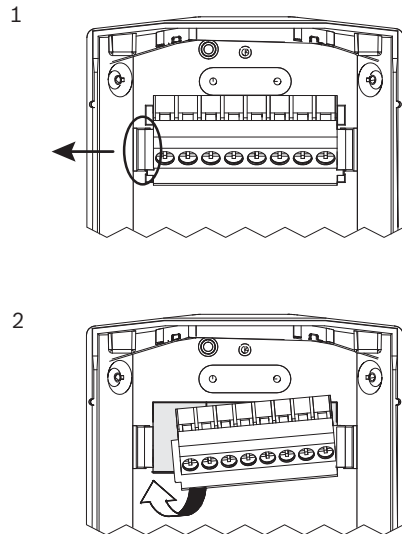
2 |



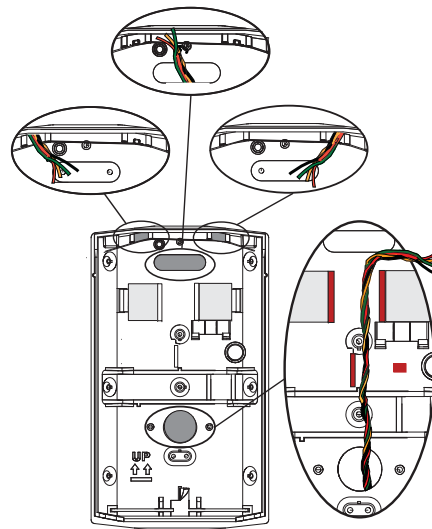
3 |



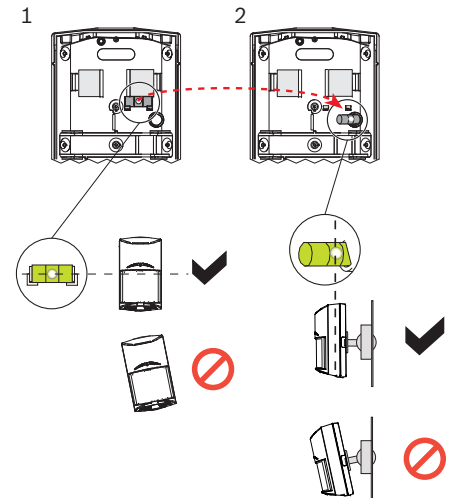
4 |



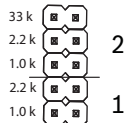
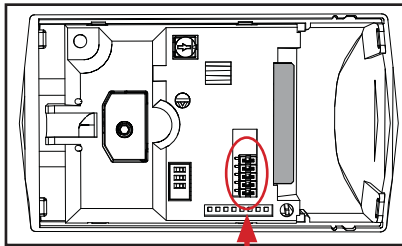
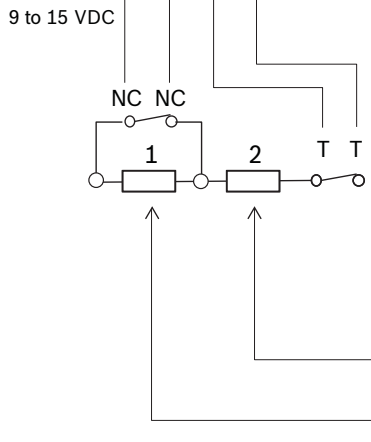
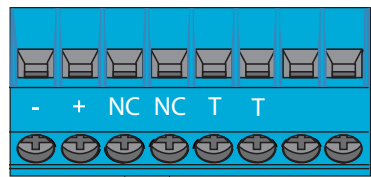
5 |



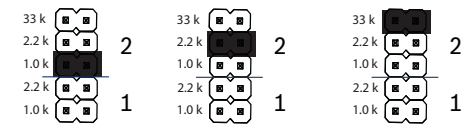
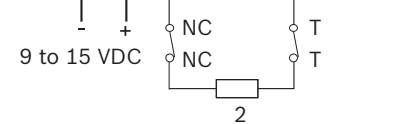
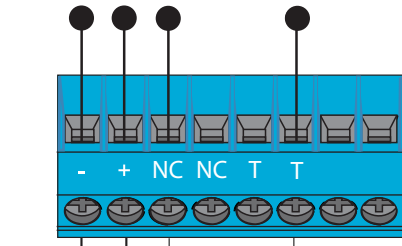
6 |



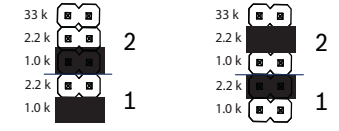
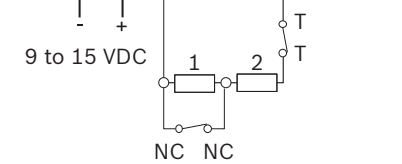
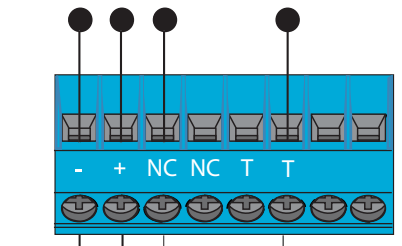
7.1 |



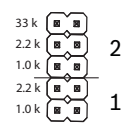
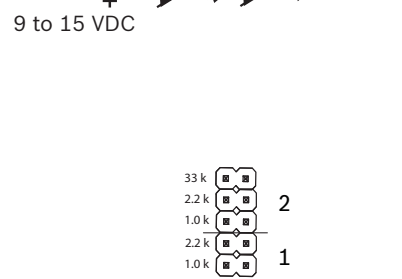
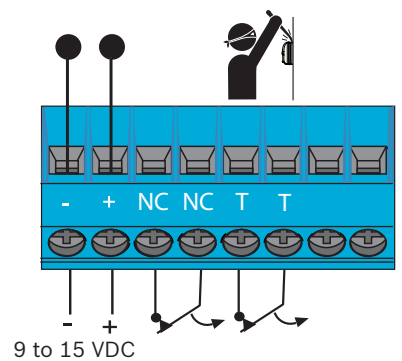
7.2 |



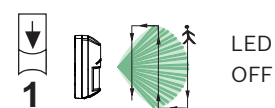
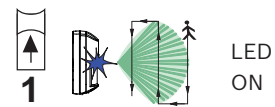
7.3 |



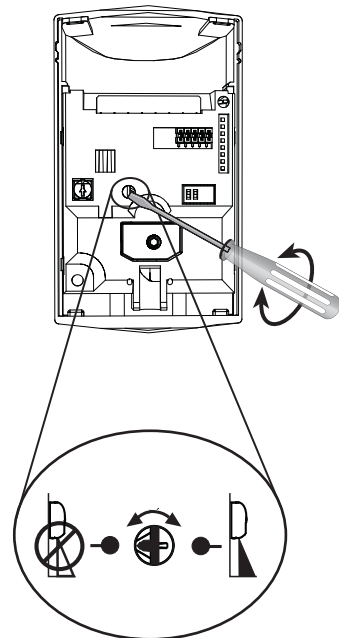
7.4 |



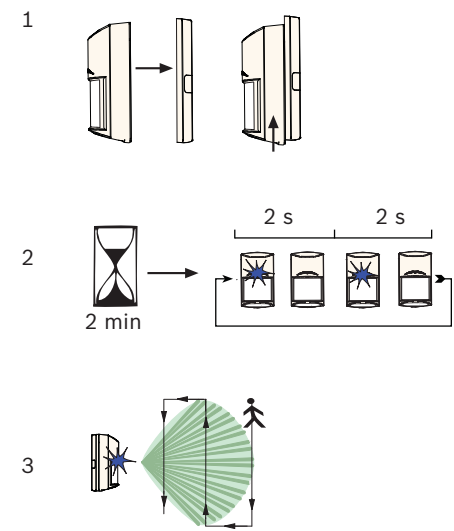
8 |



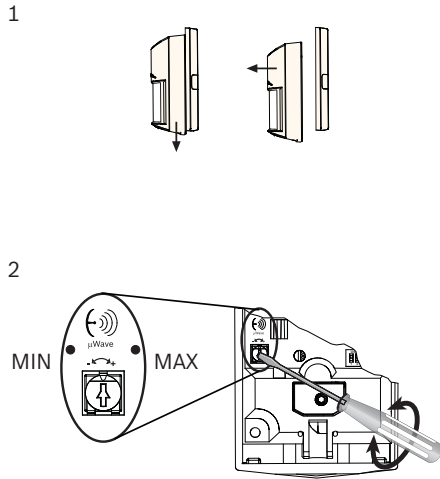
9 |



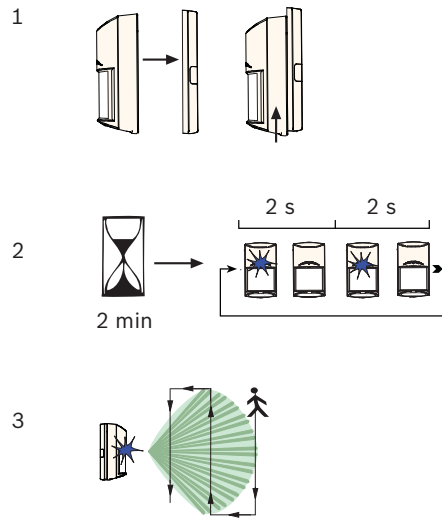
10.1 |







10.2 |



10.3 |



Region	Agency	Certification
USA and Canada	cULus	-W15G: Intrusion Detection Unit Type: S
	FCC	FCC Part 15 Class B
	IC	Model ISC-CDL1-W15G 1249A-CDL1
Europe	EN Standards	EN 50131-2-4 EN 50130-5 Environmental Class II, Grade 2 / IP41 / IK04 (EN60529, EN 62262)
France	AFNOR/ CNPP/ NFA2P	ISC-CDL1-W15G Cert # 2800200015 NF&A2P Grade 2
		ISC-CDL1-W15H Cert # 2820200013 RTC 50131-2-4
		
		NF-324-H58 – 110P2 AFNOR Certification: www.afnor.org CNPP Cert.: www.cnpp.com Sécurité contre la fraude: Autosurveillance à l'ouverture et à l'arrachement, Immunité champ magnétique.
Australia	ACMA	RCM
Belgium	ANPI	INCERT B-509-0066 (ISC-CDL1-W15G, ISC-CDL1-W15H)
Italy	IMQ	Certificato IMQ sistemi di sicurezza 3° livello di prestazione secondo CEI79-2:1998 + Ab:2000 (modello W15G)
Sweden	SBSC	For svensk installationsanvisning se www.boschsecurity.se Larmklass 2 (-W15G)
Brazil	ANATEL	
		Este equipamento opera em caráter secundário, isto é, não tem direito à proteção contra interferência prejudicial, mesmo de estações do mesmo tipo e não pode causar interferência a sistemas operando em caráter primário.

Voltage (operating)	9 to 15 VDC, 9-15 V  9-15 Vcc de 10 à 15 mA @ 12 Vcc en veille/en alarme, source limitée en puissance, ondulation résiduelle 1 V.
Current (max)	<35 mA
Alarm relay /Tamper	≤100 mA, 25 V  , 2.5W
Wiring loops	Ø 1.29 mm to 0.40 mm (16 AWG to 26 AWG) (UL: 22 AWG to 16 AWG)
Operating temperature	-30°C to +55°C (-22°F to +130°F) UL: 0°C to +49°C (+32°F to +120°F) AFNOR/CNPP: -10°C to +55°C
Relative humidity	95% non-condensing UL: 93%

