

AM-71B_V02 Conduit Box

Installation Guide

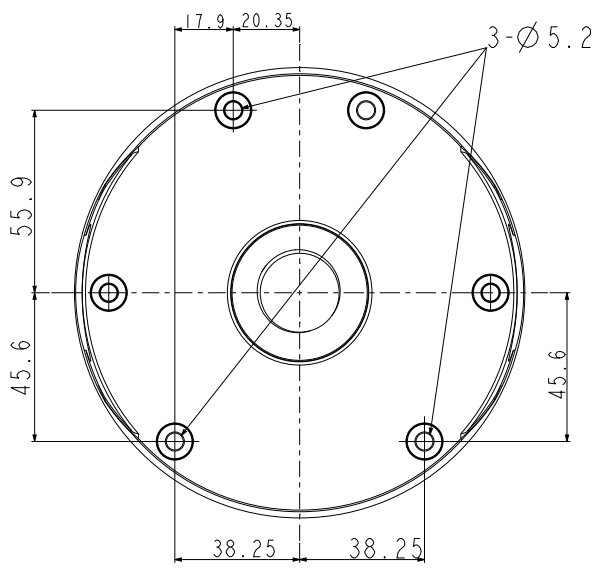
Revision History:
Rev. 1.0: Initial release

Part no.: 5019042700
Accessory Ordering part no.: VIO100220401

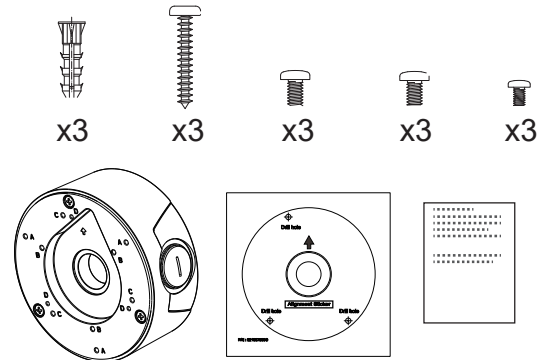
Compatible VIVOTEK Cameras

Hole Type	Applicable Cameras	Screw	No. of Screws
A	FD9368-HTV, FD9388-HTV	M4x10	3
A	FD9389 series	M4x8	3
B	IT9388-HT	M4x8	3
C	FD9360-H, FD9380-H	M4x8	3
D	IT9389-H-V2	M3x7	3

Mounting Dimensions

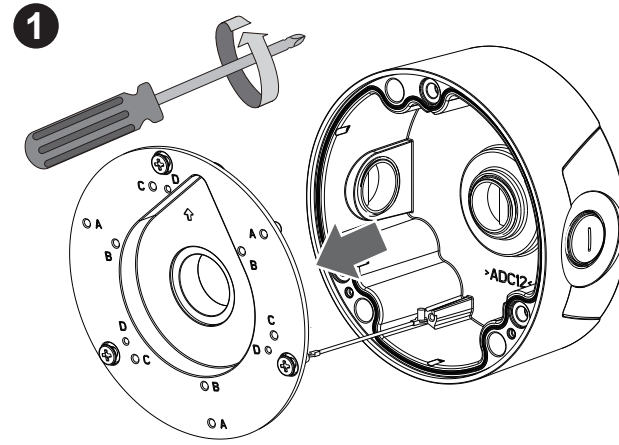


Package Contents

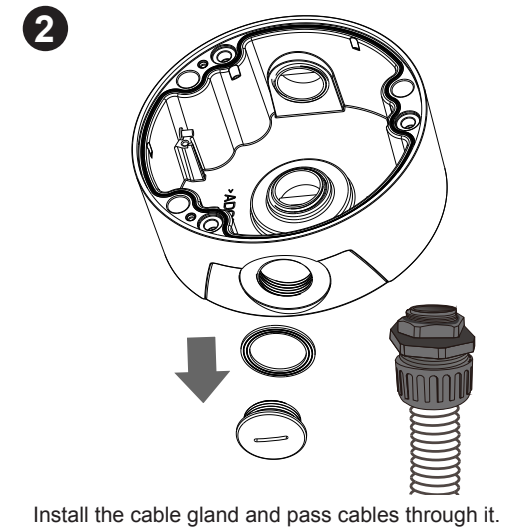


Installation

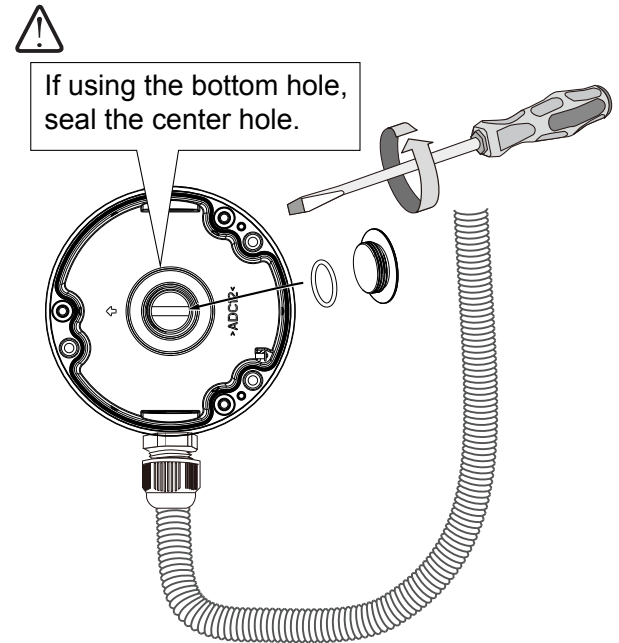
Remove the top cover.



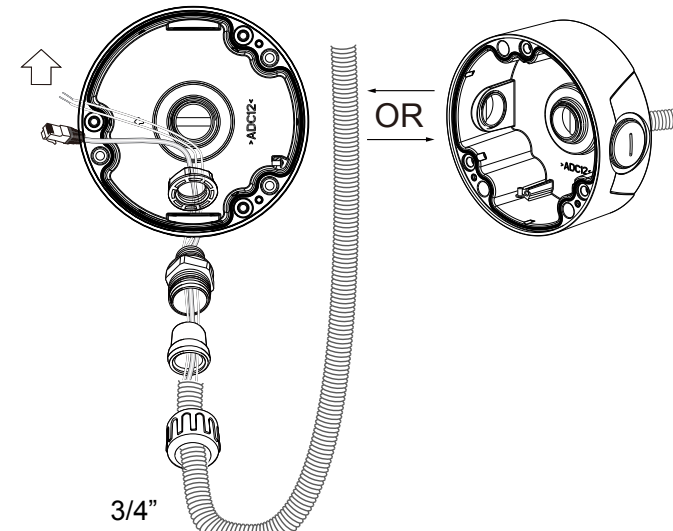
A 3/4" conduit is required for routing the cables with waterproof connection.



Install the cable gland and pass cables through it.

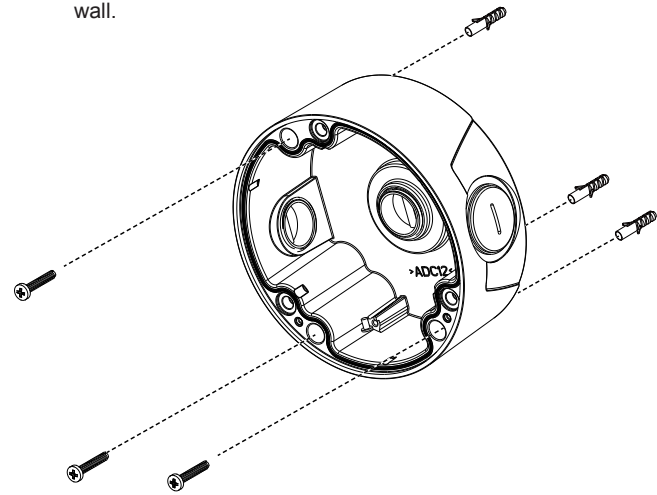


If using the bottom hole, seal the center hole.

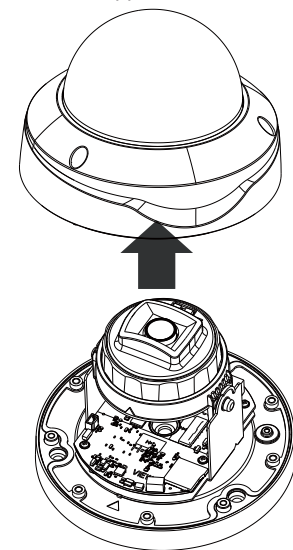


3/4"

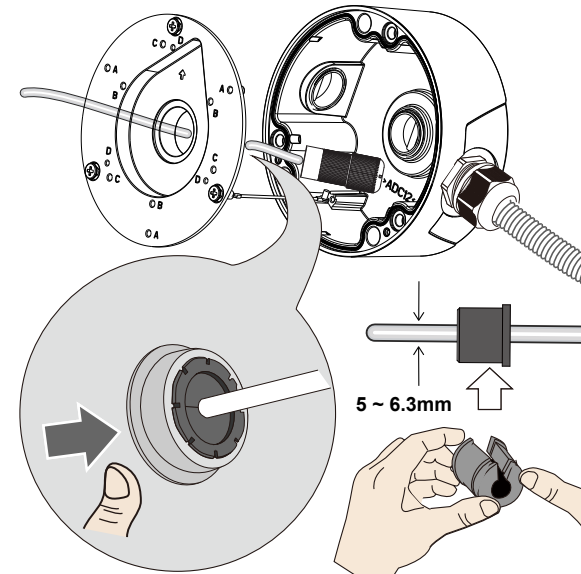
3 Attach the included alignment sticker to a preferred position. Drill holes on the wall and install the junction box. If space behind the wall allows, you may also pass cables through the wall.



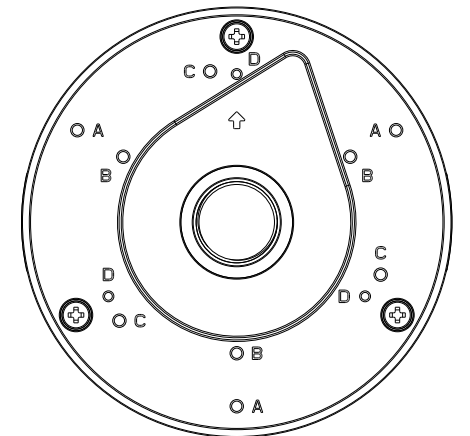
4 Loosen and remove the camera top cover. (Using one of the supported cameras as an example)



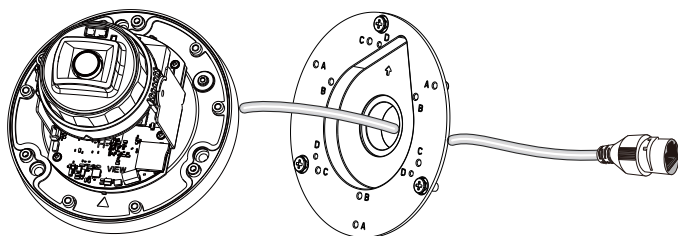
7 Make sure the rubber seal is properly installed to the center hole. The outer rim of the seal must be through and cover the edge of the hole.



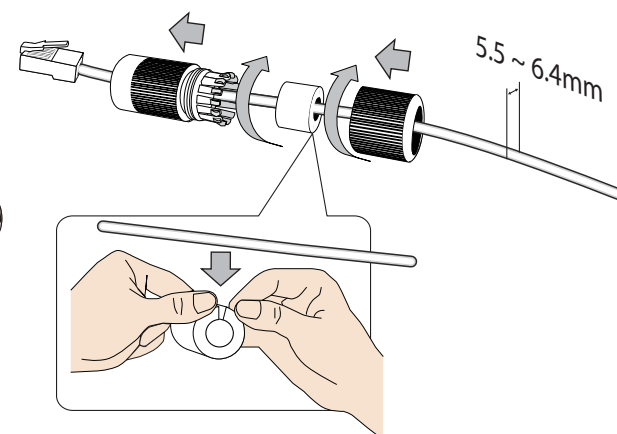
8 A: FD9389 series, FD9368-HTV, FD9388-HTV
B: IT9388-HT
C: FD9360-H, FD9380-H
D: IT9389-H-V2



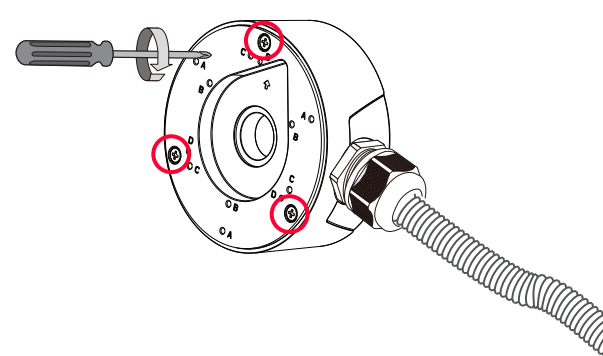
5 Pass the camera's Ethernet cable through the center hole of the box and the rubber seal.



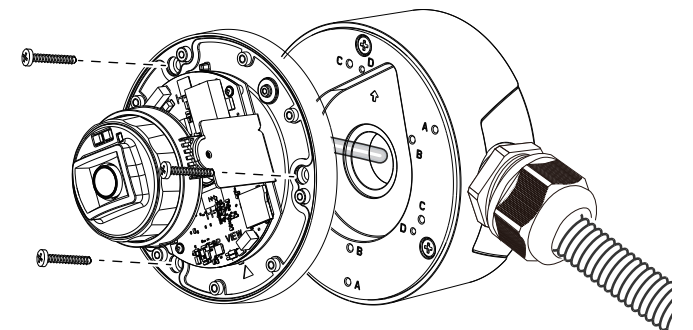
6 Install the waterproof components of the cable gland to your Ethernet cable following the QIG of your camera. The cable gland will be placed within the protection of the box.



9 Secure the top cover by fastening 3 cross-head screws.



10 Install the camera using the corresponding mounting holes.



11 Open a live view console and adjust the shooting direction.
Refer to the camera's QIG for more information.

Secure the camera top cover.

