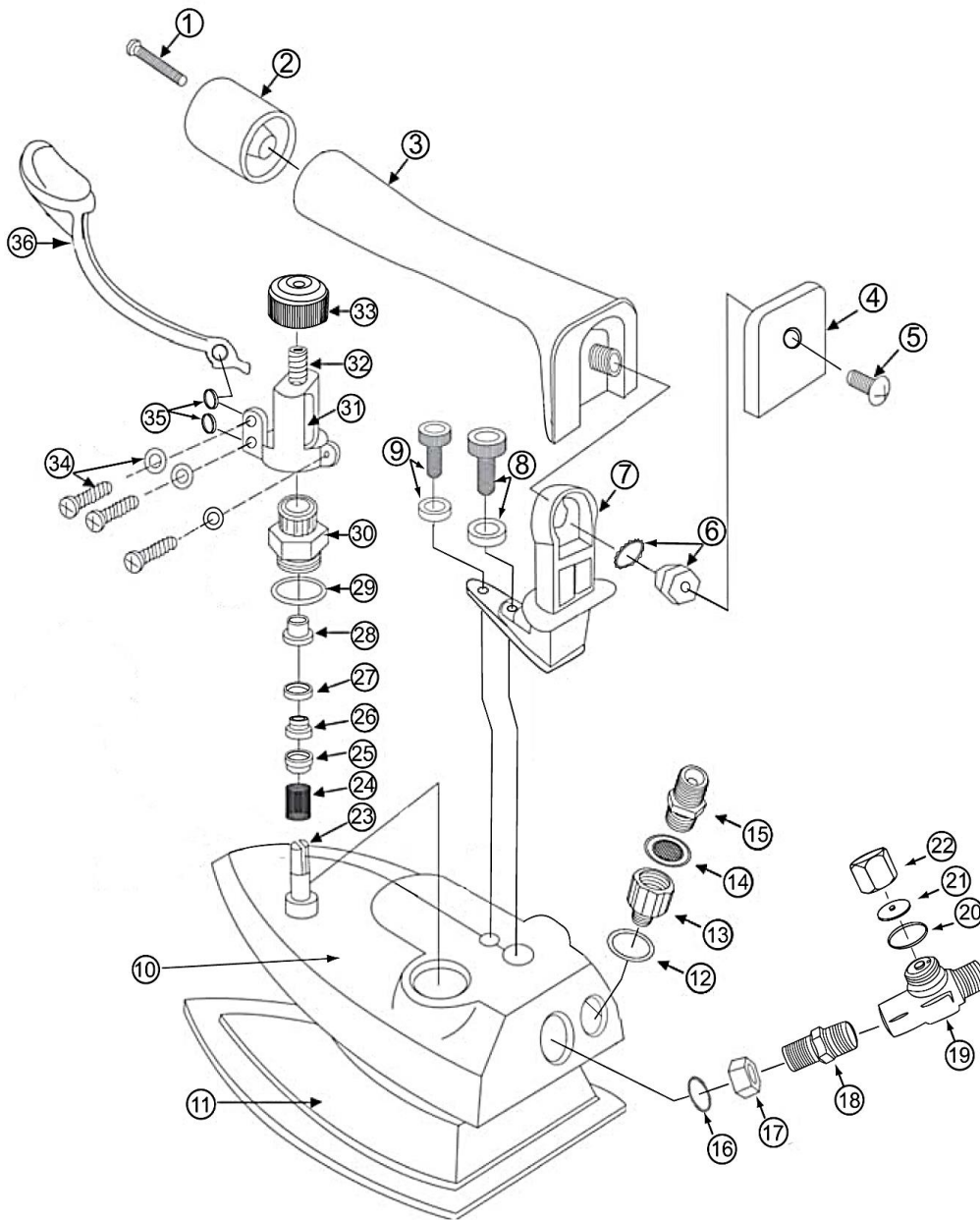


X Series

– All-Steam Iron Model No. X3 –

Exploded View Model X3



HÖT-STEAM®

Copyright©2021 Höt-Steam® All rights reserved

HÖT-STEAM • 40 Banfi Plaza North, Unit B, Farmingdale NY 11735 • Tel: (631) 393-2811 • Fax: (888) 276-7617 • www.hot-steam.com

X Series

– All-Steam Iron Model No. X3 –

Part List Model X3

No.	Description	Assembly	
1	Screw for Handle Tip	UH-1 (Handle Assembly)	
2	Tip for Urethane Handle		
3	Urethane Handle		
4	Name Plate		
5	Name Plate Screw		
6	Washer & Nut for Handle		
7	Support for Urethane Handle	UH-2 (Handle Support Assembly)	
8	Spring Washer & Bolt – Rear		
9	Spring Washer & Bolt – Front		
10	Plastic Cover	X7252	
11	Iron Body	X7253	
12	Packing for Hose Fitting	HNC-1 (Hose Fitting Assembly)	
13	Hose Fitting		
14	Mesh Filter		
15	Mesh Filter Housing		
16	Packing for 'AD' Valve		
17	Nut for 'AD' Valve	ADV-1 (Automatic Discharge Valve)	
18	Fitting for 'AD' Valve		
19	Automatic Discharge Valve Body		
20	Silicone Ring for 'AD' Valve		
21	Disk for 'AD' Valve		
22	Metal Cap for 'AD' Valve		
23	Steam Valve Spindle	RK-1 (Repair Kit)	
24	Valve Spindle Spring		
25	Spring Ring		
26	PTFE Cap Seal		
27	Silicon O-Ring for Valve Spindle		
28	PTFE Bushing		
29	Silicon O-Ring for Valve Spindle	RK-2 (Steam Valve Assembly)	
30	Steam Valve Body		
31	Lever Clamp		
32	Adjusting Screw	PL-1 (Steam Regulator)	
33	Black Cap Nut		
34	Lever Clamp Screw & Washer		
35	Push Lever Fulcrum		
36	Push Lever	PL-2 (Push Lever)	
		PL-3 (Steam Regulator Assembly)	