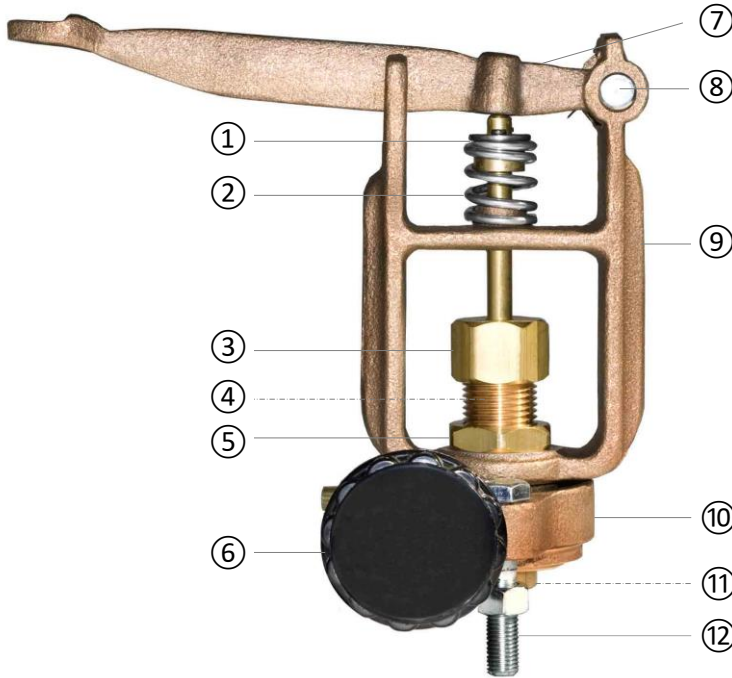


SVW34



SPOTTING BOARD VALVE - 3/32" Wet (Steam)

#SU34H Compatible



Specifications

- Bronze Body Material
- 125 lbs. WSP @ 350° F Max.
- 400 lbs. WOG
- 3/32" Wet Orifice

Features

- 100% Leak & Pressure Tested
- PTFE Gasket Included
- Hardware Included

Ref	Item No.	Description
1	D4065	Gland
2	D4053	Spring
3	D4055	Large Packing Nut
4	SPOVG3	Split Packing
5	D4056	Luck Nut
6	D4071	Control Knob
7	D4068	Lever
8	D7013	Stem Lever & Cotter Pin
9	D4066	Fork
10	-	Body
11	SPOVG2	Packing
12	-	Nut & Bolt Set

Copyright©2023 Höt-Steam® All rights reserved.

Ver.2305