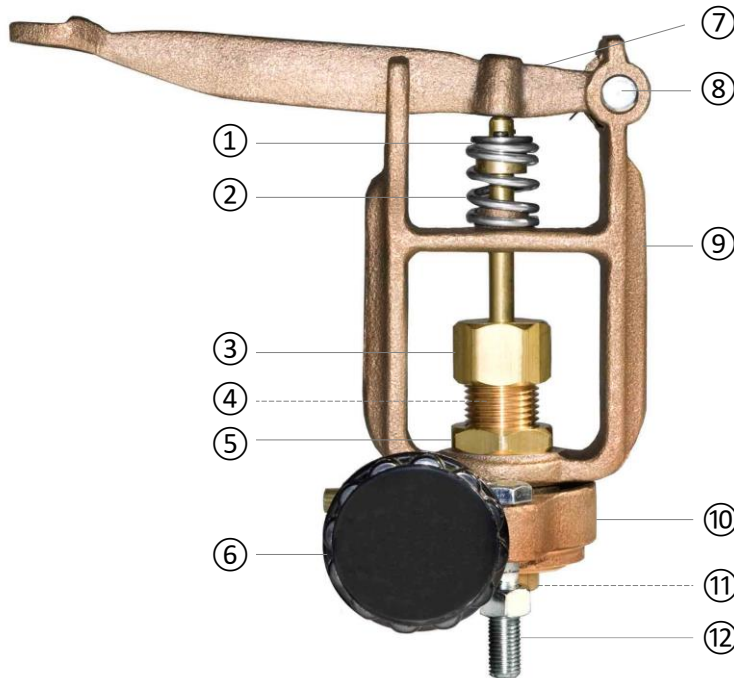


SVD35



SPOTTING BOARD VALVE - 1 1/64" Dry (Air)

#SU35H Compatible



Specifications

- Bronze Body Material
- 125 lbs. WSP @ 350° F Max.
- 400 lbs. WOG
- 11/64" Dry Orifice

Features

- 100% Leak & Pressure Tested
- PTFE Gasket Included
- Hardware Included

| Ref | Item No. | Description |
|-----|----------|-------------------------|
| 1 | D4065 | Gland |
| 2 | D4053 | Spring |
| 3 | D4055 | Large Packing Nut |
| 4 | SPOVG3 | Split Packing |
| 5 | D4056 | Luck Nut |
| 6 | D4071 | Control Knob |
| 7 | D4068 | Lever |
| 8 | D7013 | Stem Lever & Cotter Pin |
| 9 | D4066 | Fork |
| 10 | - | Body |
| 11 | SPOVG2 | Packing |
| 12 | - | Nut & Bolt Set |

Copyright©2021 Höt-Steam® All rights reserved.

Ver.2305