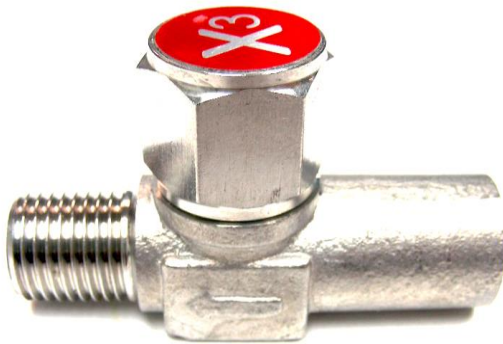


ST200



THERMODYNAMIC DISC STEAM TRAP - ISO9001 Certified -



Specifications

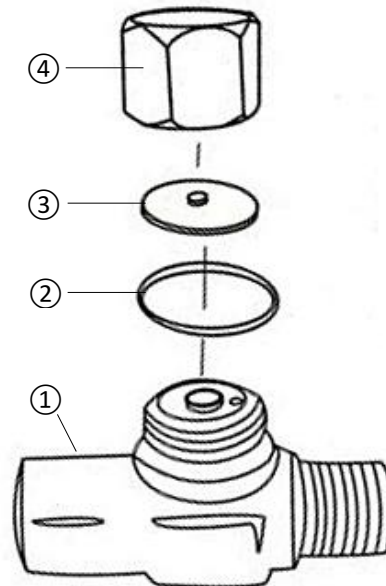
- Stainless Steel Casting Body
- Stainless Steel Disc
- 100 psi @ 250° F Max.
- 1/4" NPS Male Threaded End
- 1/4" NPS Female Threaded End

Features

- Cost Effective Energy Efficiency
- Easy Maintenance and Serviceable
- 100% Leak & Pressure Tested

Size	L	H	H1	Weight
1/4"	1-1/2"	2-3/4"	1-1/4"	0.16 lbs

Ref#	Description
1	Stainless Steel Body
2	O-Ring
3	Stainless Steel Disc
4	Stainless Steel Cap



Ver.2306