

HÖT-STEAM®

SP3 Steam Regulator

Installation Manual

Model No.

SP3-110

SP3-220



- Please read this owner's manual thoroughly before installing and operating your iron.
- Please retain this owner's manual for future reference after reading it thoroughly.

SP3

STEAM REGULATOR

Thank you for purchasing the Höt-Steam® *SP3 Steam Regulator*. The Höt-Steam® *SP3 Steam Regulator* is an electrical activated valve that controls the steam flow when connected in conjunction to an electric iron. Please read the installation and wiring instructions before operating this unit.

SP3 INSTALLATION & CONNECTING



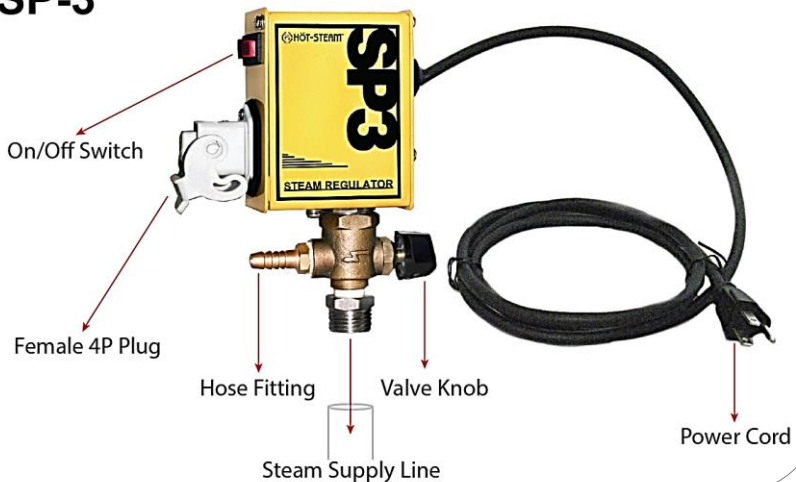
IMPORTANT

Be sure to shut off the steam supply line and to unplug the power supply of the regulator during this installation.

How to install the SP3

- 1- Remove the old solenoid valve from the steam supply line
- 2- Install the *SP3* on the steam supply line
- 3- Connect the iron power cord (4-wires) to the supplied *male 4P plug* (See 'Wiring Steps' in this manual for additional instructions)
- 4- Plug the iron *male 4P plug* to the *SP3 female plug*.
- 5- Connect the steam hose to the *SP3 hose fitting*.
- 6- Plug in the power cord and turn on the power switch.
- 7- Turn the *SP3 valve knob* to adjust the steam volume

SP-3



4P MALE PLUG WIRING



IMPORTANT

The wiring specification in this manual should be only used when connecting a Hot-Steam® SP3 Steam Regulator.

CAUTION

In order to properly connect an iron according to the Höt-Steam® SP3 wiring specifications, it is important to identify each of the 4 wires from the iron's power cord.
(Consult the iron's manufacturer manual for wiring information if needed).

WIRING STEPS

1- Remove the *top screw* and detach the *outer cover* of the plug.



Fig.1

2- Insert the iron's power cord through the rear end of the cover and arrange the wires as shown on picture.



Fig.2

3- The inner component of the *male 4P plug* contains *4 wire clamping screws* on the back, each terminal numbered 1, 2, 3 and Ground. Identify each of the 4 wires from the iron's power cord to begin connecting (Consult the iron's manufacturer manual to identify the wires).

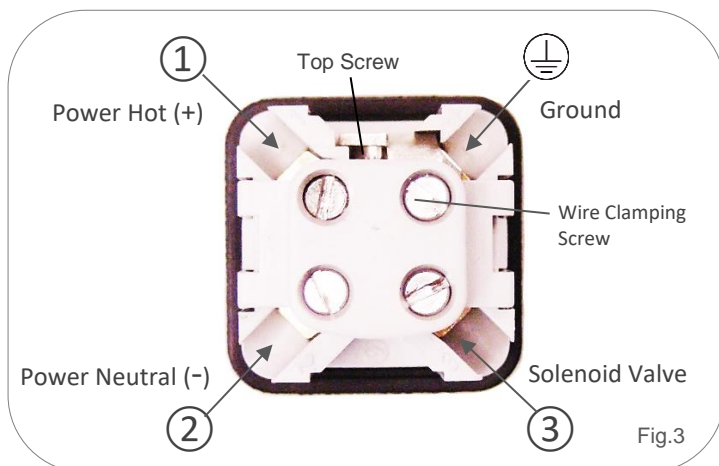


Fig.3

IMPORTANT

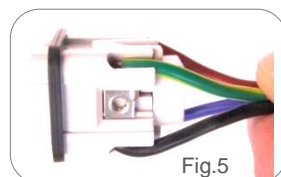
Do not connect the wires by the color as each iron manufacturer uses different color coding on their wires.

4- Insert each wire to the correct terminal as indicated on step 3 (fig.3) and tighten the *wire clamping screw* to hold the wire in place.

- a. Power (Hot +) to terminal 1
- b. Power (Neutral -) to terminal 2
- c. Solenoid Valve to terminal 3
- d. Ground to Ground



5- Verify all wires are securely connected to each terminal and then fold them back.



6- Re-assemble the plug and lock the housing with the cover *top screw*. Hold the plug and tighten the rear *end cap* to lock the power cord in place.



7- Plug in the *male 4P plug* to the *SP3 regulator* and secure connection with the *female plug lock*.

Limited Warranty

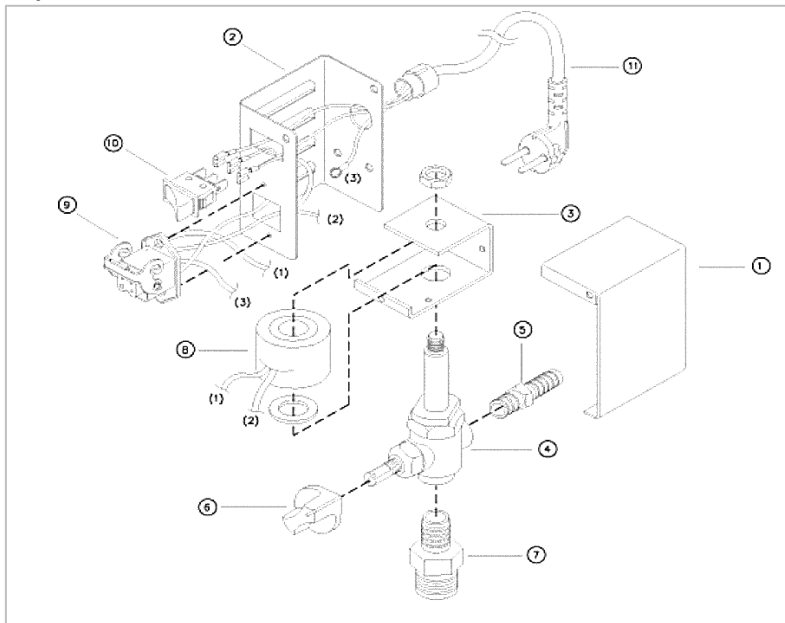
The Höt-Steam® SP3 Steam Regulator is tested and inspected before leaving our factory. We warrant to the original user of this product that it will be free from defects in material and workmanship for 90 days from date of purchase. In no way will the manufacturer of the Höt-Steam® SP3 Steam Regulator be responsible for any incidental or consequential damage caused by the steam regulator. Any liability is limited solely to the repair or replacement of the part or product, excluding any labor or any other cost to remove or install said part or product.

This warranty is contingent upon installation and use of equipment under normal operating conditions. This warranty is void on steam regulators and parts that have been subject to misuse, accident, or negligent damage.

HÖT-STEAM®

Tel: (631) 393-2811 Fax: (888) 276-7617
www.hot-steam.com

Exploded View



Ref#	Item No.	Description
1	SP001	Front Metal Cover
2	SP002	Rear Metal Cover
3	SP003	Coil Bracket
4	SP004	Steam Valve Body
4-1	RK-SP3	Plunger
4-2	RK-SP3	Plunger Spring
4-3	RK-SP3	Plunger Casing O-Ring
4-4	SP006	Plunger Casing with Nut
5	SP005	Brass Hose Nipple
6	SP006-1	Valve Knob
7	SP007	Male Adapter 1/2" x 1/4"
8	SP008	Valve Coil 110/220V
9	SP009	4-P Female Socket
10	SP010	Power Switch
11	SP011	Power Cord 110V/220V