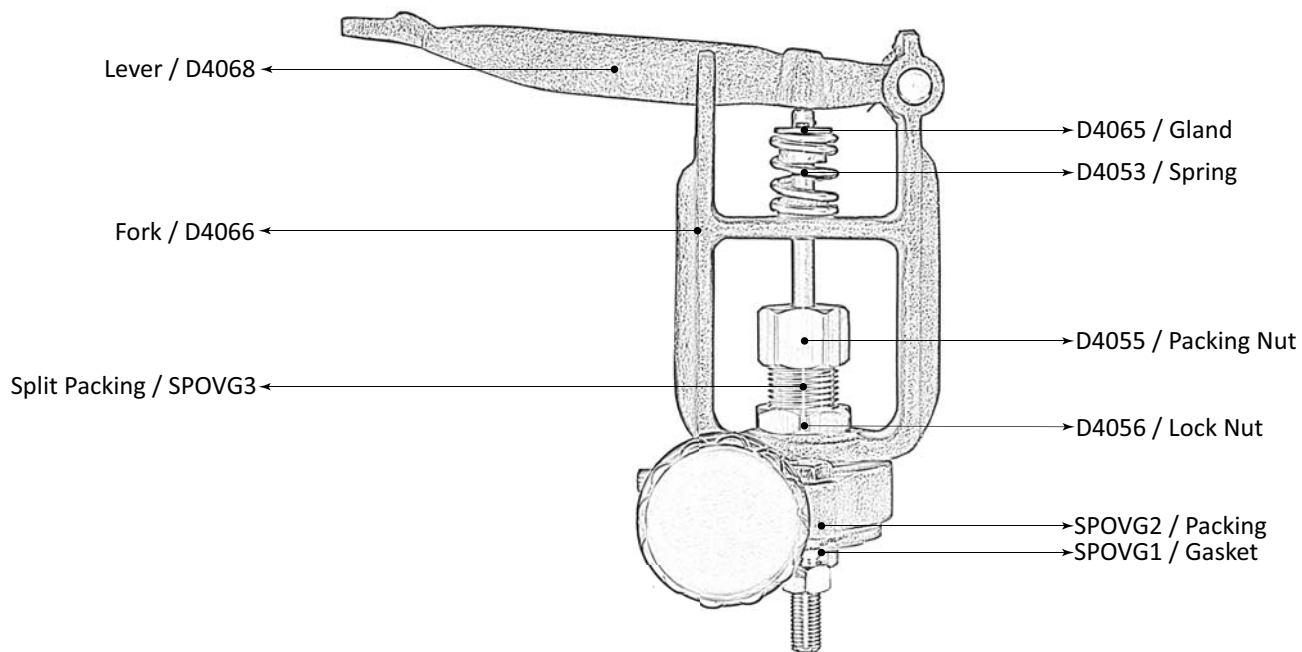


SVD35 / SVW34

Spotting Board Valve



Adjusting Packing Nut

Leak from Stem & Packing Nut ?

If you notice a leak on the Stem & Packing Nut after installation.
Proceed to tighten the Packing Nut clockwise until the leak stops.

DO NOT OVERTIGHTEN as you may damage the Gaskets inside the valve.

This 'Adjusting Packing Nut' Procedure can be done repeatedly in normal use of this valve.

