

RTS-18V

VERTICAL STAND - Assembly Instructions

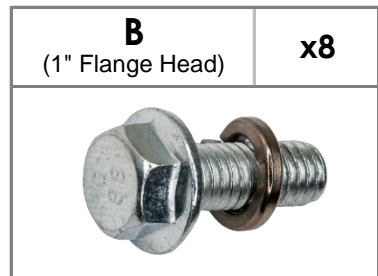
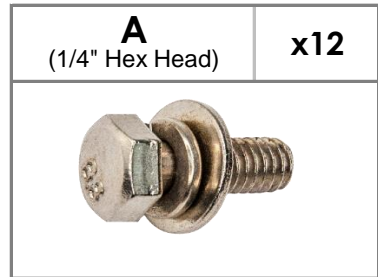
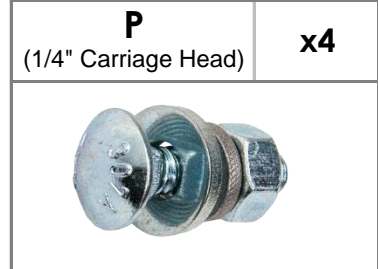


Ver.2309



* Tank not included

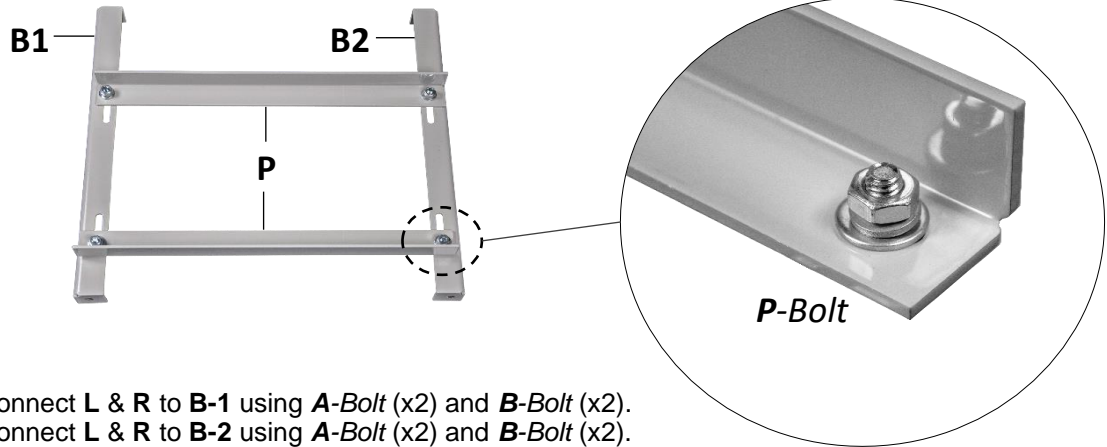
Included Hardware



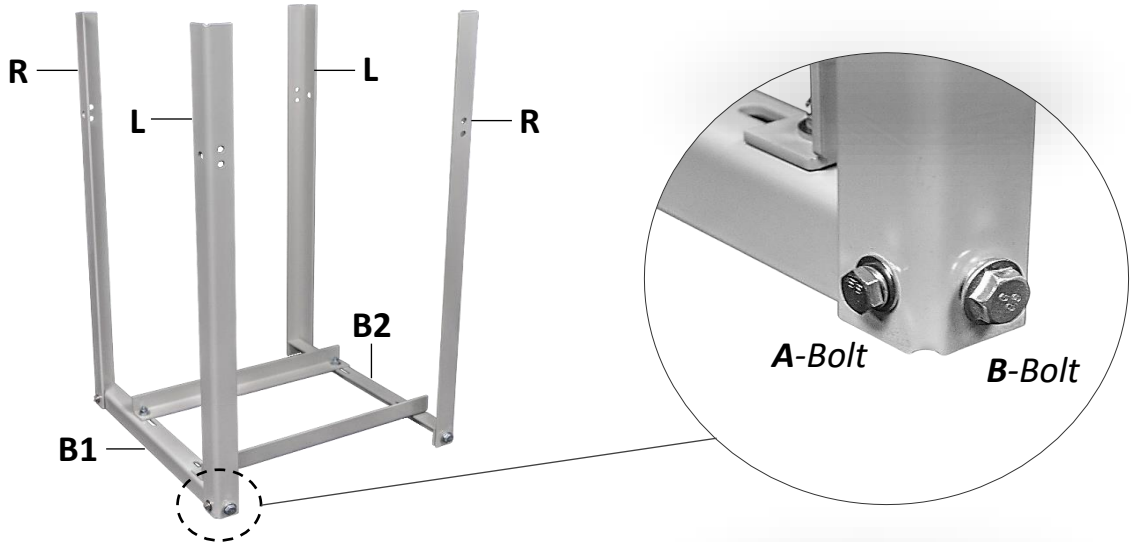
Included Frames in set

B1 (Base)		x1
B2 (Base)		x1
P (Pump)		x2
L (Left)		x2
R (Right)		x2
T (Top)		x2

Step 2 Connect **P** (x2) to **B1** & **B2** using **P-Bolt** (x4) to assemble the base frame.



Step 2 Connect **L** & **R** to **B-1** using **A-Bolt** (x2) and **B-Bolt** (x2).
Connect **L** & **R** to **B-2** using **A-Bolt** (x2) and **B-Bolt** (x2).



Step 3 Connect **T** (x2) using **A-Bolt** (x8) and **B-Bolt** (x4).

