

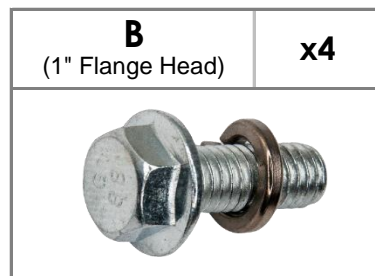
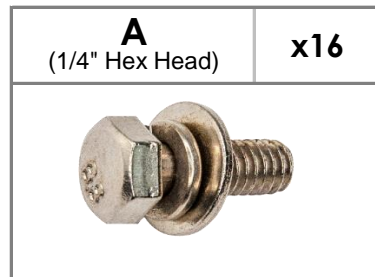
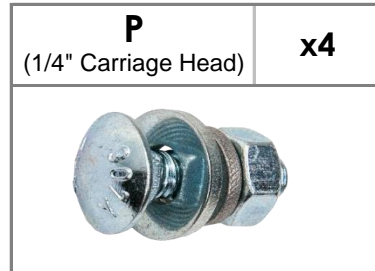
RTS-H / Horizontal Stand

Assembly Instructions




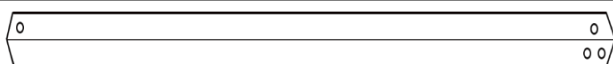
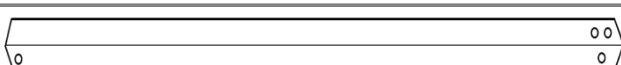

Ver.2309



Included Hardware



Included Frames in set

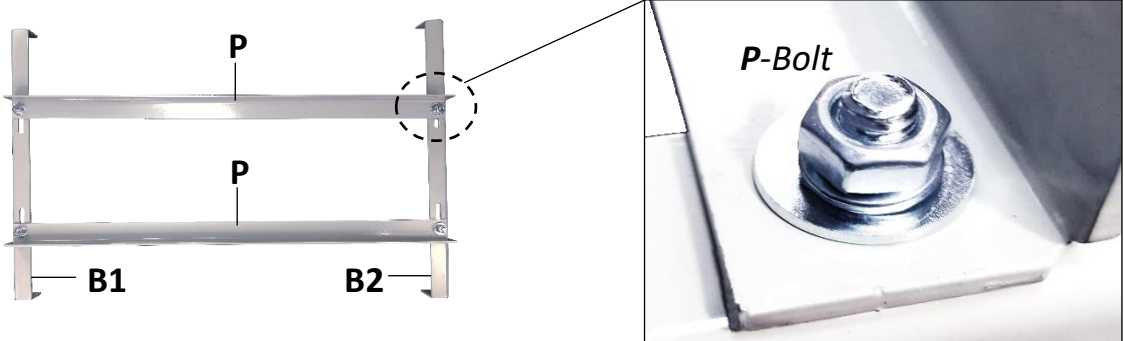
B1 (Base)		x1
B2 (Base)		x1
P (Pump)		x2
L (Left)		x2
R (Right)		x2
T (Top)		x2

RTS-H / Horizontal Stand

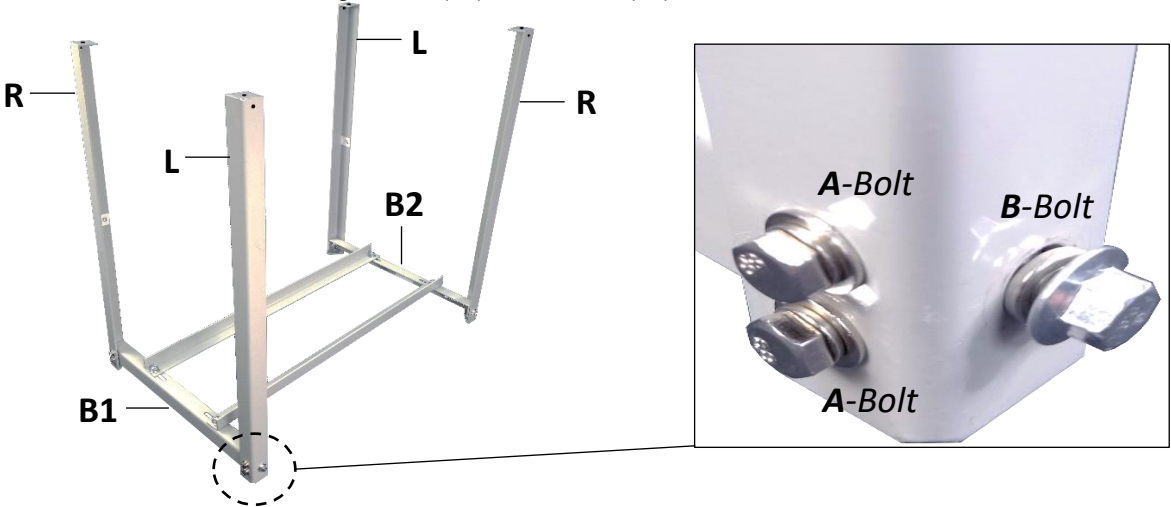
Assembly Instructions

Ver.2309

Step 2 Connect P (x2) to B1 & B2 using P-Bolt (x4) to assemble the base frame.



Step 2 Connect L & R to B-1 using A-Bolt (x4) and B-Bolt (x2).
Connect L & R to B-2 using A-Bolt (x4) and B-Bolt (x2).



Step 3 Connect T (x2) using A-Bolt (x8).

