

HÖT-STEAM®

Operating Manual

HS • SERIES ELECTRIC STEAM IRON

Model No. HS-1000



IMPORTANT

- Please read this owner's manual thoroughly before installing and operating your iron.
- Please retain this owner's manual for future reference after reading it thoroughly.

OPERATING MANUAL

Höt-Steam® HS • Series – Model No. HS1000

Thank you for purchasing the Höt-Steam® HS • Series *Electric Steam Iron*. Please read this instruction manual carefully before using the iron to ensure its longest possible life.

Table of Contents

- A. General Safety Instructions
- B. Installation & Connecting
- C. Operation & Use
- D. Maintenance
- E. Warranty Coverage

A. GENERAL SAFETY INSTRUCTIONS

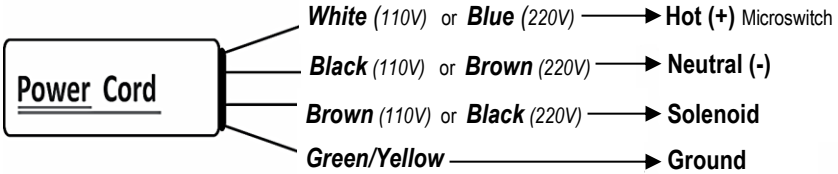
- Verify if the voltage of the iron corresponds to the power supply source before connecting.
- Be sure to always place the iron on the iron rest.
- Do not place the iron on its back because it may cause injury to the operator or damage the iron.
- Wait for the iron to cool down before attempting to troubleshoot the iron
- Only skilled technicians should attempt to install and/or repair the iron.

OPERATING MANUAL

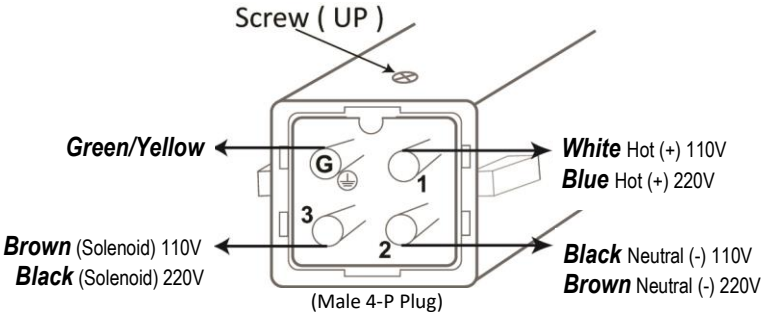
Höt-Steam® HS • Series – Model No. HS1000

B. INSTALLATION & CONNECTING

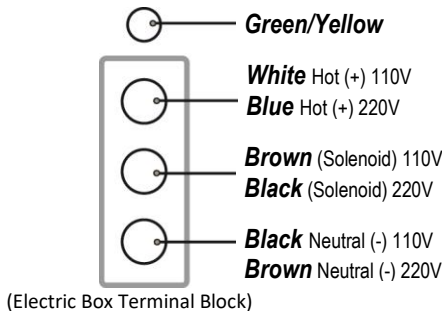
- Power Cord Wiring Specification
Mod.HS1000 Hot-Steam® Electric Steam Iron
(Consult to manufacturer's manual when connecting a different iron brand)



- 4-P Plug Wiring Instructions
Connecting iron (Mod.HS1000) to a steam regulator (Mod.SP3 Hot-Steam®)
(Consult to manufacturer's manual when connecting a different steam regulator brand)



- Cissell® Lowboy Wiring Instructions
Connecting iron (Mod.HS1000) to Cissell® Lowboy
(Consult to manufacturer's manual when connecting a different lowboy brand)



OPERATING MANUAL

Höt-Steam® HS • Series – Model No. HS1000

C. OPERATION & USE



IMPORTANT

Initially, you may see water leaking out of the iron. This is not an iron malfunction. It may take few seconds to heat and evaporate the remaining condensation from previous use.

- 1) Place the *Electric Steam Iron* on a Silicon Rest (not included).
- 2) Refer to the *Installation & Connecting* instructions to connect the iron. After connecting the iron, turn on the boiler and/or open all ball valves in the steam supply line and wait until boiler has heated thoroughly.
- 3) Set the *Temperature Dial* to the desired level.
- 4) Make sure that the iron is facing away from the press and any clothes, and press the *Microswitch* (Red Thumb Switch) a few times to release any possible condensation.
- 5) Start pressing.
 - a. If the boiler is not hot enough, you may see water leaking out of the iron. This is not a malfunction. Do not start pressing clothes until the boiler has heated thoroughly.
 - b. If you still see water leaking out of the iron, increase the iron temperature.



IMPORTANT

- Once finished operating the iron, press the *Microswitch* to release any remaining steam left inside the iron.
- Prior to the next operation, repeat above-mentioned procedures.
- In the event that you encounter technical difficulties with the iron, please contact your local Authorized Distributor from whom the Höt-Steam® HS•Series *Electric Steam Iron* was purchased.
- Only skilled technicians should attempt any repairs on an iron.

OPERATING MANUAL

Höt-Steam® HS • Series – Model No. HS1000

D. MAINTENANCE

- Once finished operating the iron, press the *Microswitch* to release any remaining steam left inside the iron.
- Be sure to clean the base of the iron regularly. Keep the base clean of dust and adhered starch-residues.
- If you need to replace parts of the iron, please contact your local Authorized Dealer or Distributor from whom the Höt-Steam® HS•Series *Electric Steam Iron* was purchased.
- Use genuine Höt-Steam® parts for optimum results.

E. WARRANTY COVERAGE

Contact your local Authorized Dealer or Distributor from whom the Höt-Steam® HS•Series *Electric Steam Iron* was purchased for additional assistance on warranty coverage.

For coverage under warranty, following is required:

- Sales Receipt issued by one of our Authorized Dealer or Distributor from whom the iron was purchased.
- The Sales Receipt must show the serial number and date of purchase.
- You must obtain a RAN (Return Authorization No.) from Höt-Steam® prior to returning the iron. Contact your Dealer or Distributor for assistance.
- Warranty can be a form of Replacement or Repair Service of the product.
- Höt-Steam® is not responsible for any freight charges.

Our TSD (Technical Support Division) will perform thorough examination on the returned iron to finalize whether the causes are defects or misuse of the product.

OPERATING MANUAL

Höt-Steam® HS • Series – Model No. HS1000

PARTS BREAKDOWN

Ref#	Item#	Description
1	HS101	Screw for Thumb Switch
2	HS102	Thumb Switch Cover
3	HS103	Microswitch
4	HS104	Front Crown Nut
5	HS105	Front Handle End
6	HS106	Thumb Switch Wire (Set of 2)
7	HS107	Cork Handle
8	HS108	Screw for Rear Cover
9	HS109	Rear Handle End
10	HS110	Long Handle Bolt
11	HS111	4-Wire Power Cord (8ft)
11-B	HS111-B	Power Cord Bushing
12	HS112	Wire Nut (Set of 3)
12-B	HS112-B	Spring Washer (Set of 3)
13	HS113	Rear Cover
14	HS114	Rear Crown Nut
15	HS115	Rear Cover Cap
16	HS116	Stopper
17	HS117	Stopper Screw (Set of 2)
18	HS118	Cover Bolt Cap
19	HS119	Temperature Control Knob
20	HS120	Cover Bolt
21	HS121	Thermostat Knob Spring
22	HS122	Cover Flat Washer
23	HS123	Cover Lock Nut
24	HS124	Name Plate (110V or 220V)
25	HS125	Heat Shield
26	HS126	Handle Bracket
27	HS127	Metal Cover
28	HS128	Metal Cover Bushing
29	HS129	Tapped and Threaded Bolt
30	HS130	Thermostat Mounting Screw
31	HS131	Thermostat with Thermal Fuse
32	HS132	Thermostat Lead Wire Short
33	HS133	Lead Wire to Thermostat (Left)
34	HS134	Lead Wire to Heating Element (Right)
35	HS135	Lead Wire Nut
36	HS136	Iron Sole Plate (110V or 220V)
37	HS137	Hose Fitting

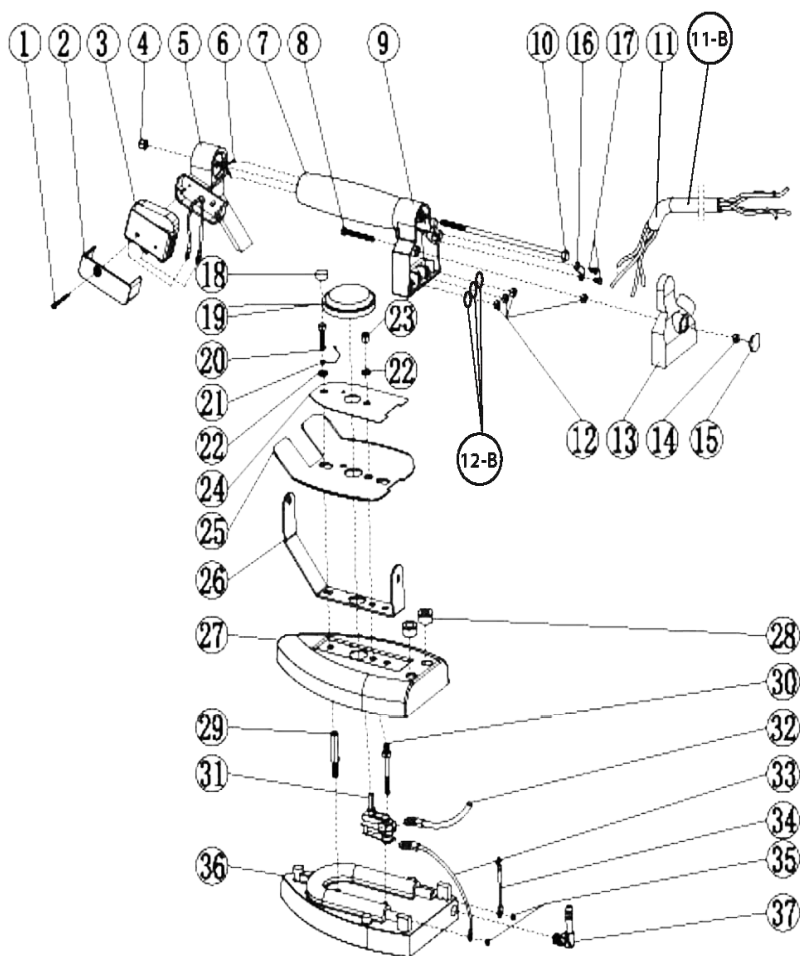
[Additional Parts]

Ref#	Item#	Description
-	SP3	Steam Regulator (110V or 220V)
-	4PP	Male Plug for Power Cord
-	IR1	Metal Silicon Iron Rest
-	BSH-10	10ft Black Silicon Hose
-	IRS1000	Iron Shoe

OPERATING MANUAL

Höt-Steam® HS • Series – Model No. HS1000

EXPLODED VIEW



Limited Warranty

The Höt-Steam® *Electric Steam Iron* is tested and inspected before leaving our factory. We warrant to the original user of this product that it will be free from defects in material and workmanship for a period of Six (6) months from date of purchase. With respect to non-durable parts that can wear down to normal wear and tear, there is a limited warranty of ninety (90) days. The warranty period on each new replacement part furnished by Höt-Steam® in fulfillment of the warranty shall be for the unexpired portion of the original part that was replaced.

In no event will the manufacturer or distributors of the Höt-Steam® *Electric Steam Iron* be responsible for any incidental or consequential damage caused by the iron. Any liability is limited solely to the repair or replacement of the part or product, excluding any labor or any other cost to remove or install said part or product, nor any responsibility for transportation expense which is involved therein.

This warranty is contingent upon installation and use of equipment under normal operating conditions and periodic maintenance according to its described manual. This warranty is void on iron and parts that have been subject to misuse, accident, negligent damage, altered, repaired and operated with other than genuine Höt-Steam® parts or which have had the identification serial number altered, effaced, or removed.

No defective iron or part may be returned to Höt-Steam® for repair or replacement without prior written authorization from Höt-Steam®.

For warranty service, contact an Authorized Distributor from whom the Höt-Steam® *Electric Steam Iron* was purchased.

HÖT-STEAM®
www.hot-steam.com