

DWG-J Series



BRONZE WATER GAUGE VALVE



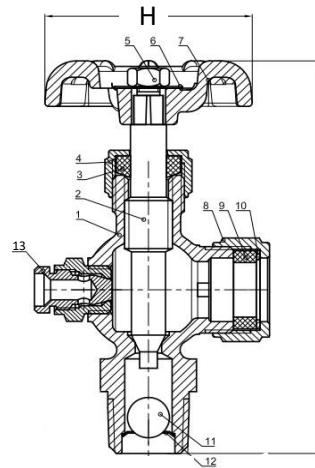
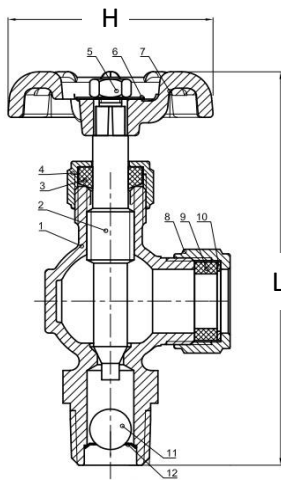
Specifications

- 200 psi @ 400° F Max.
- 400 psi @ 100° F Max.
- Bronze Body Material / ASTM B62
- NPT Threaded Ends
- Size 1/2" & 3/4" NPT

Features

- Rising Stem with Vented Hand Wheel
- Stainless Steel Safety Ball Check
- Drainage Needle Valve
- Set of 2 Rods (14") Included
- Conforms to ASME Boiler Code
- Complies with MSS-SP-80
- 100% Leak & Pressure Tested

Item#	Size	L	H	Weight
DWG-12J	1/2"	4.25"	2.13"	1.75 lbs
DWG-34J	3/4"	4.53"	2.28"	1.75 lbs



Ref#	Description
1	Bronze Body
2	Stem
3	Stem Packing
4	Stem Packing Nut
5	Nut
6	Name Plate

* Contains lead.

* Not for use in systems intended for human consumption

Ref#	Description
7	Vented Handwheel
8	Large Packing Nut
9	EPDM Gasket
10	Metal Washer
11	SS Safety Ball Check
12	Stop Washer
13	Drainage Needle Valve

Ver.2306