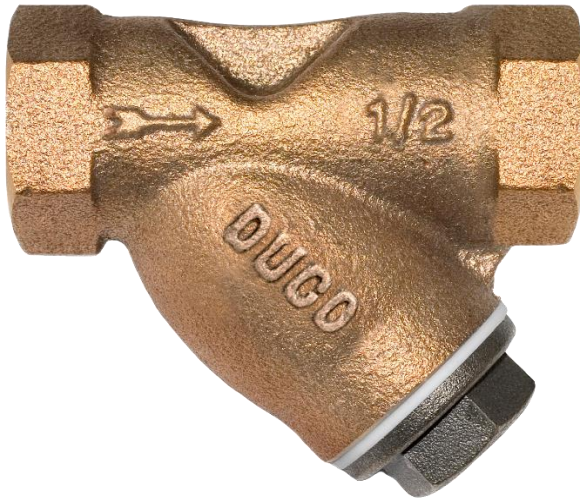


DS200 Series



BRONZE 'Y' TYPE STRAINER



Specifications

- 200 lbs. WSP @ 406° F Max.
- 400 lbs. WOG
- Bronze Body Material / ASTM B62
- FNPT Threaded Ends
- Sizes: 1/2"

Features

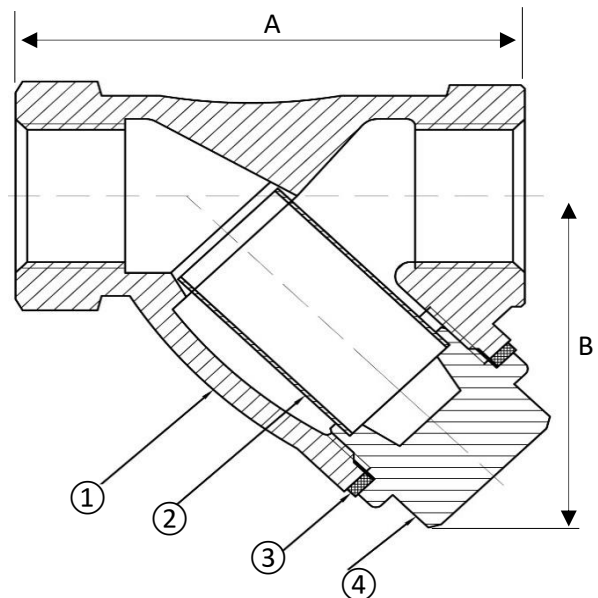
- Y Pattern
- Bronze Plug with PTFE Disc
- 100 Stainless Steel Screen
- Conforms to ASME Boiler Code
- Complies with MSS-SP-80
- CRN# OC13433.5C
- 100% Leak & Pressure Tested

| Size | A | B | Weight |
|------|-------|-------|---------|
| 1/2" | 2.63" | 1.72" | 0.6 lbs |

| Ref# | Description |
|------|------------------------|
| 1 | Bronze Body |
| 2 | Stainless Steel Screen |
| 3 | PTFE Gasket |
| 4 | Bronze Plug |

* Contains lead.

* Not for use in systems intended for human consumption



Copyright©2021 Höt-Steam® All rights reserved.

Ver.2111