

DHV7



HEAD VALVE ASSEMBLY

(HVG1 Gasket Included)

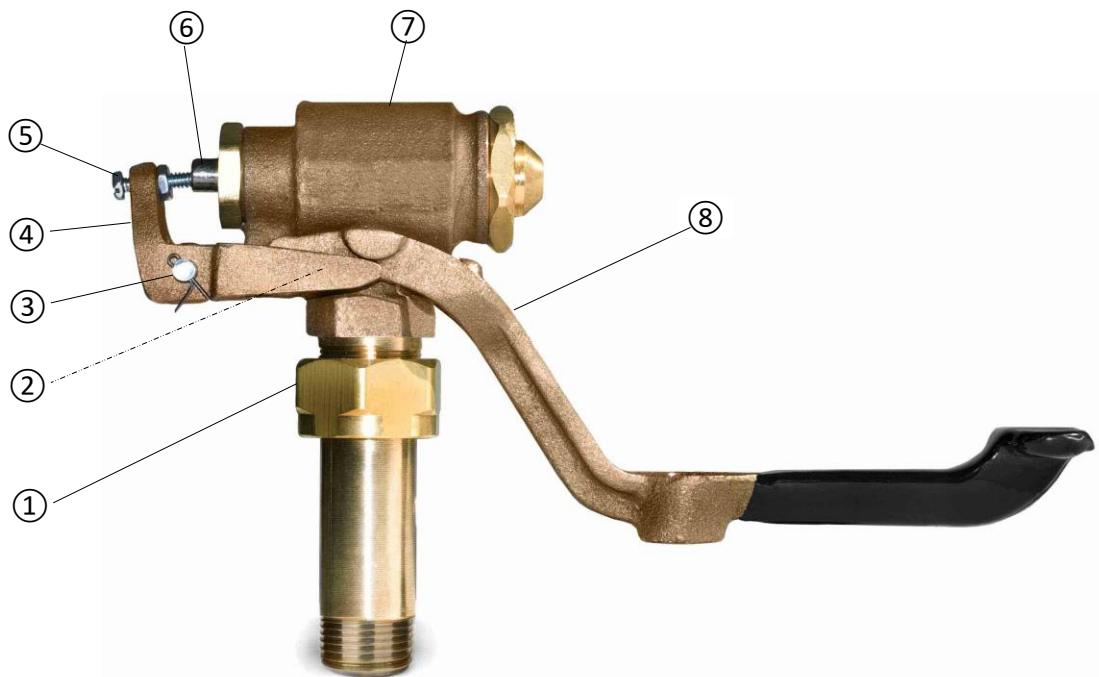
Ref	Item No.	Description
1	D7016	Clamping Nut
2	D7017	Handle Pin
3	D7013	Lever Pin & Cotter Pin
4	DO118AF	Valve Stem Fulcrum
5	DV175H	Hex Head Screw & Nut
6	D7018	Valve Stem with O-Ring
7	D7005	Body
8	D7006F	Handle

Specifications

- 125 lbs. WSP @ 350° F Max.
- 400 lbs. WOG
- NPT Threaded Ends

Features

- Brass Body
- 100% Leak & Pressure Tested
- PTFE Gasket Included



Copyright©2021 Höt-Steam® All rights reserved.

Ver.2305