

DHV1-S



HEAD VALVE ASSEMBLY - Without Bushing (HVG1 Gasket Included)

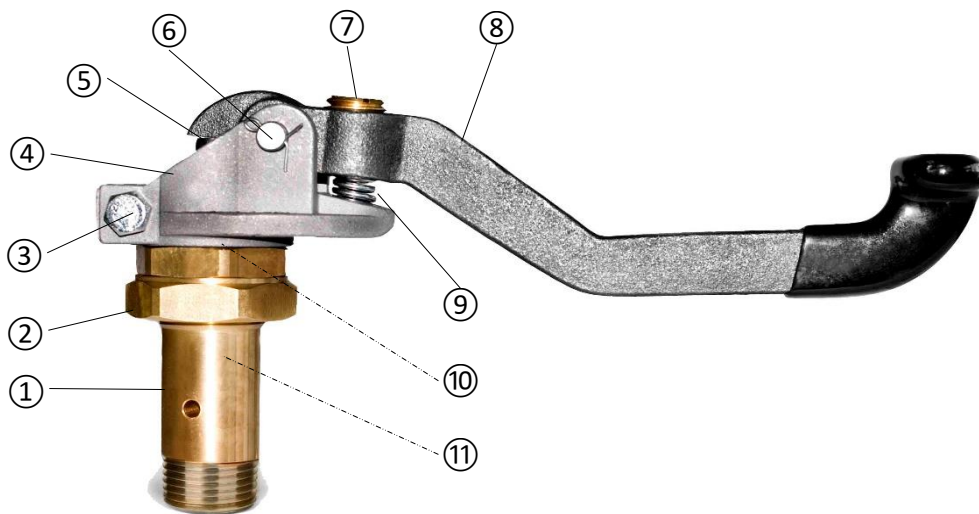
Ref	Item No.	Description
1	DX131	Body
2	D772	Lock Nut
3	DV171	Hex Screw, Washer & Nut
4	DR129	Fulcrum
5	DR127	Valve Stem
6	D727	Lever Pin & Cotter Pin
7	DR122A	Screw Plug
8	DR125	Handle
9	HS-N	Head Spring
10	DR128	Stem Guide
11	DH-T	Disc Holder

Specifications

- 125 lbs. WSP @ 350° F Max.
- 400 lbs. WOG
- NPT Threaded Ends

Features

- Brass Body
- 100% Leak & Pressure Tested
- PTFE Gasket Included



Copyright©2021 Höt-Steam® All rights reserved.

Ver.2305