

DGL Series



BRONZE 'T' TYPE GLOBE VALVE



Specifications

- 200 lbs. WSP @ 406° F Max.
- 400 lbs. WOG
- Bronze Body Material / ASTM B62
- FNPT Threaded Ends
- Sizes: 1"

Features

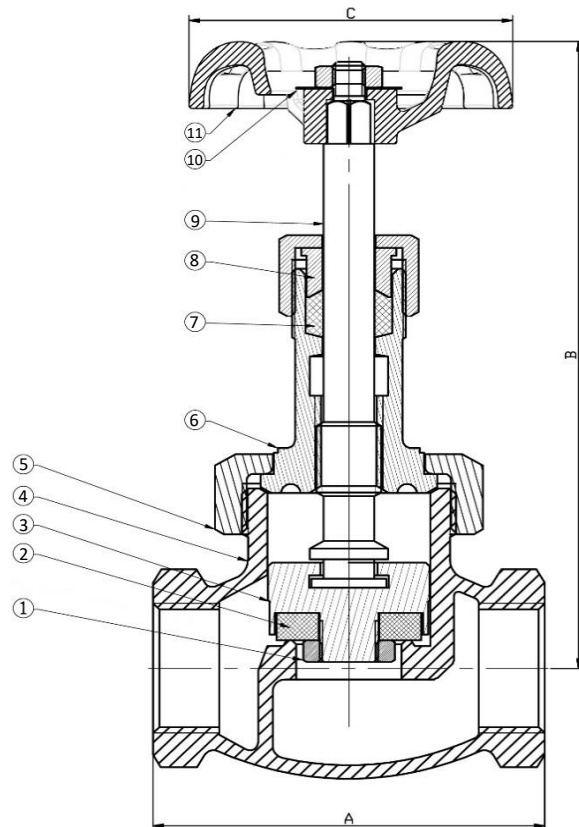
- Rising Stems
- Union Bonnet
- PTFE Disc
- Vented Hand Wheel
- Conforms to ASME Boiler Code
- Complies with MSS-SP-80
- CRN# 0C13433.5C
- 100% Leak & Pressure Tested

Size	A	B	C	Weight
1"	3.74"	2.72"	5.9"	3.8 lbs

Ref#	Description
1	Disc Nut
2	Packing
3	Disc Holder
4	Body
5	Cap Nut
6	Cap
7	Packing
8	Packing Gland
9	Stem
10	Lock Nut
11	Hand Wheel

* Contains lead.

* Not for use in systems intended for human consumption



Copyright©2021 Höt-Steam® All rights reserved.

Ver.2111