

# DC410T Series



## BRONZE SPRING-LOADED LIFT CHECK VALVE



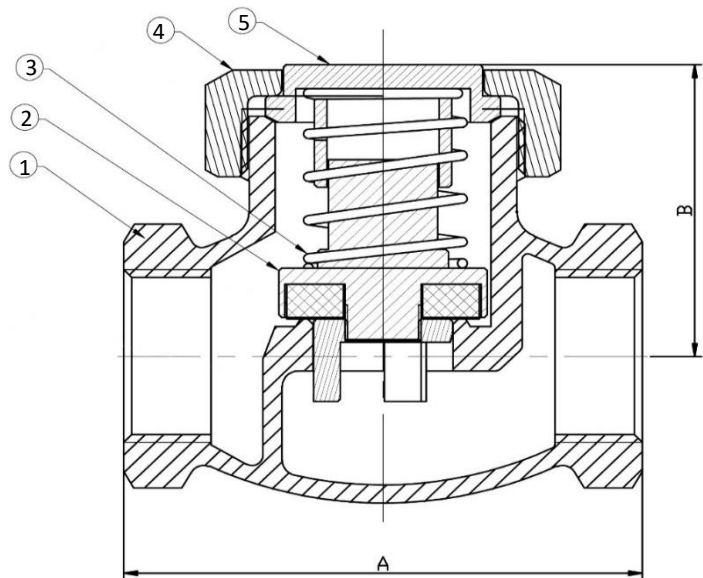
### Specifications

- 200 lbs. WSP @ 406° F Max.
- 400 lbs. WOG
- Bronze Body Material / ASTM B62
- FNPT Threaded Ends
- Sizes: 1-1/4", 1", 3/4", 1/2"

### Features

- Union Bonnet
- PTFE Disc
- Conforms to ASME Boiler Code
- Complies with MSS-SP-80
- CRN# OC13433.5C
- 100% Leak & Pressure Tested

Size	A	B	Weight
1-1/4"	4.49	2.37"	4.3 lbs
1"	3.74"	2.14"	2.9 lbs
3/4"	3.05"	1.84"	1.6 lbs
1/2"	2.65"	1.58"	1.1 lbs



Ref#	Description
1	Bronze Body
2	Bronze Fork
3	Stainless Steel Spring
4	Bronze Cap Nut
5	Brass Cap Guide

\* Contains lead.

\* Not for use in systems intended for human consumption

Copyright©2021 Höt-Steam® All rights reserved.

Ver.2111