

DC410T Series



BRONZE SPRING-LOADED LIFT CHECK VALVE



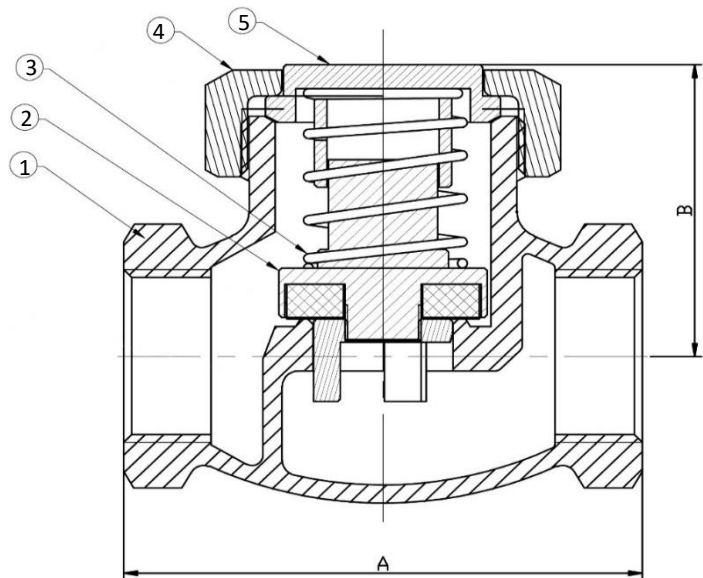
Specifications

- 200 lbs. WSP / 400 lbs. WOG
- 406° F Max.
- Bronze Body Material / ASTM B62
- FNPT Threaded Ends
- Sizes: 1-1/4", 1", 3/4", 1/2"

Features

- Union Bonnet
- PTFE Disc
- Conforms to ASME Boiler Code
- Complies with MSS-SP-80
- CRN# OC13433.5C
- 100% Leak & Pressure Tested

Size	A	B	Weight
1-1/4"	4.49	2.37"	4.3 lbs
1"	3.74"	2.14"	2.9 lbs
3/4"	3.05"	1.84"	1.6 lbs
1/2"	2.65"	1.58"	1.1 lbs



Ref#	Description
1	Bronze Body
2	Bronze Fork
3	Stainless Steel Spring
4	Bronze Cap Nut
5	Brass Cap Guide

* Contains lead.

* Not for use in systems intended for human consumption

Ver.2408