

DC400 Series



BRONZE "Y" TYPE SWING CHECK VALVE



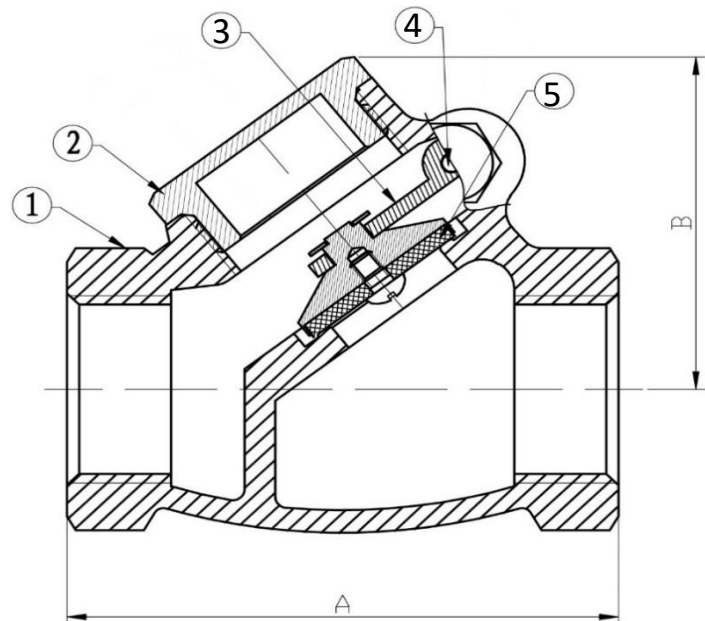
Specifications

- 200 lbs. WSP @ 406° F Max.
- 400 lbs. WOG
- Bronze Body Material / ASTM B62
- FNPT Threaded Ends
- Sizes: 1", 3/4", 1/2"

Features

- Y Pattern
- Brass Disc
- Conforms to ASME Boiler Code
- Complies with MSS-SP-80
- CRN# OC13433.5C
- 100% Leak & Pressure Tested

Size	A	B	Weight
1"	3.48"	2.63"	2.3 lbs
3/4"	3.06"	2.21"	1.3 lbs
1/2"	2.75"	1.63"	0.8 lbs



Ref#	Description
1	Body
2	Cap
3	Hinge
4	Hinge Pin
5	Disc

* Contains lead.

* Not for use in systems intended for human consumption

Copyright©2021 Höt-Steam® All rights reserved.

Ver.2111