

DC400T Series



BRONZE "Y" TYPE SWING CHECK VALVE - With PTFE DISC



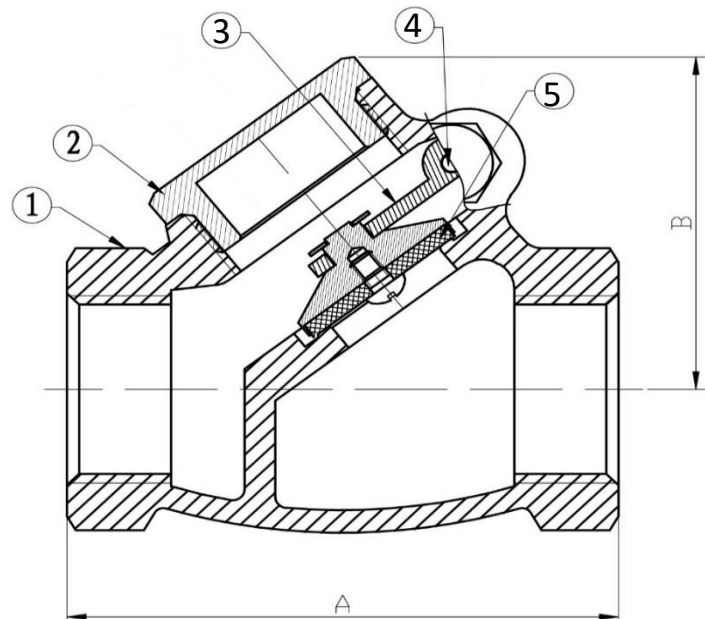
Specifications

- 200 lbs. WSP @ 406° F Max.
- 400 lbs. WOG
- Bronze Body Material / ASTM B62
- FNPT Threaded Ends
- Sizes: 1/2"

Features

- Y Pattern
- Brass with PTFE Disc
- Conforms to ASME Boiler Code
- Complies with MSS-SP-80
- CRN# OC13433.5C
- 100% Leak & Pressure Tested

Size	A	B	Weight
1/2"	2.75"	1.63"	0.8 lbs



Ref#	Description
1	Body
2	Cap
3	Hinge
4	Hinge Pin
5	PTFE Disc

* Contains lead.

* Not for use in systems intended for human consumption

Copyright©2021 Höt-Steam® All rights reserved.

Ver.2111