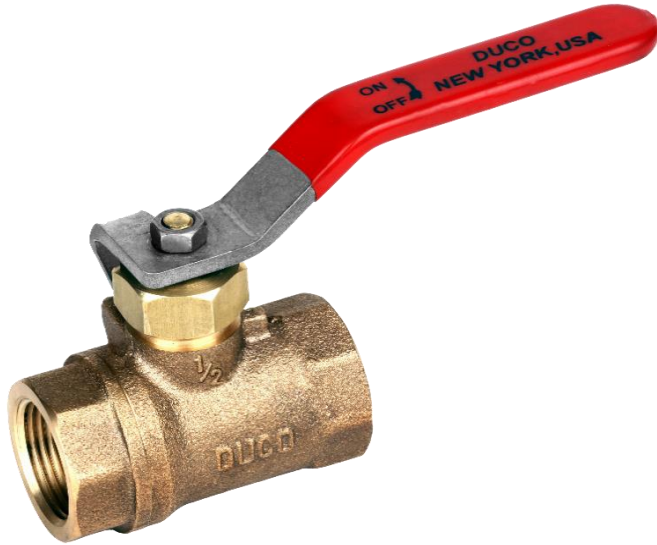


DBV200 Series



BRONZE FULL PORT BALL VALVE



Specifications

- 200 lbs. WSP @ 406° F Max.
- 400 lbs. WOG
- Bronze Body Material / ASTM B62
- FNPT Threaded Ends
- Sizes: 1", 3/4", 1/2", 1/4"

Features

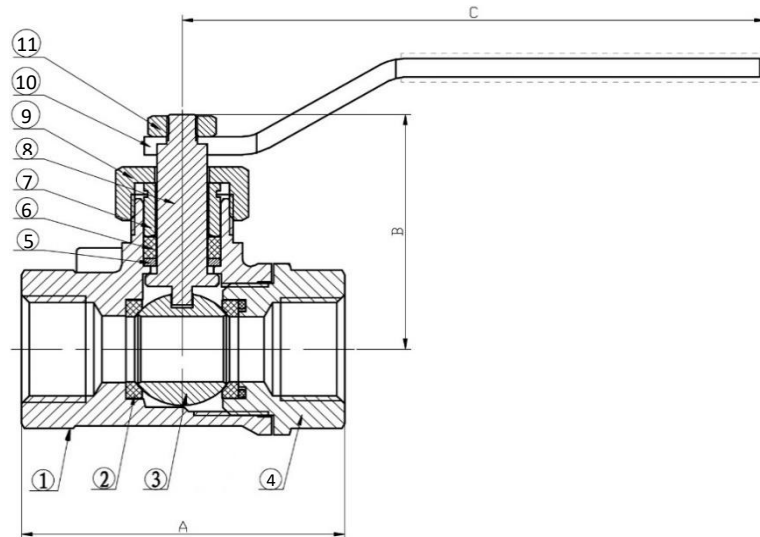
- Chromed Ball
- Blow-out Proof Stem
- PTFE Seats
- Vinyl Handle Grip Lever
- Conforms to ASME Boiler Code
- Complies with MSS-SP-80
- CRN# 0C13433.5C
- 100% Leak & Pressure Tested

Size	A	B	C	Weight
1"	3.27"	2.08"	4.15"	1.6 bs
3/4"	2.52"	1.84"	4.10"	1.0 lbs
1/2"	2.36"	1.76"	4.10"	0.8 lbs
1/4"	1.91"	1.53"	3.22"	0.5 lbs

Ref#	Description
1	Disc Nut
2	Packing
3	Disc Holder
4	Body
5	Cap Nut
6	Cap
7	Packing
8	Packing Gland
9	Stem
10	Lock Nut
11	Hand Wheel

* Contains lead.

* Not for use in systems intended for human consumption



Copyright©2021 Höt-Steam® All rights reserved.

Ver.2112