

# DBV200M Series



## BRONZE FULL PORT BALL VALVE



### Specifications

- 200 lbs. WSP @ 406° F Max.
- 400 lbs. WOG
- Bronze Body Material / ASTM B62
- NPT Threaded Ends
- Sizes: 1/4"

### Features

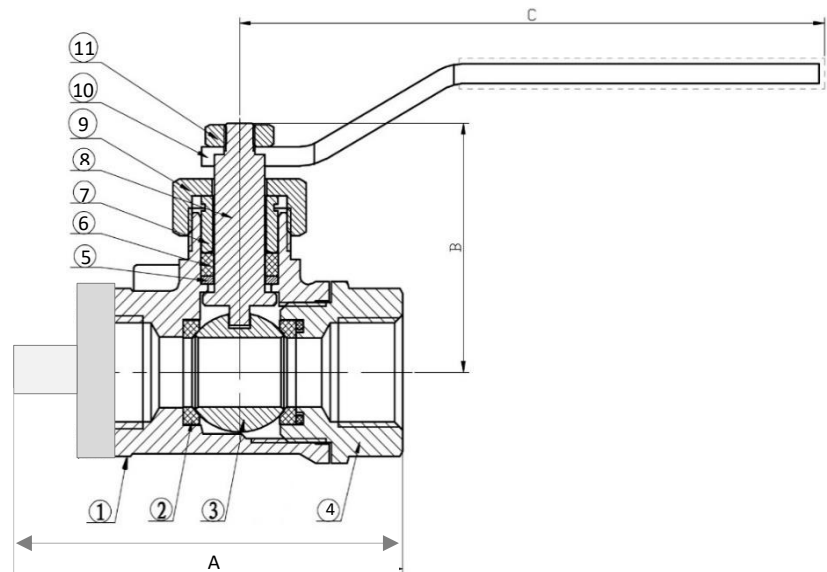
- Chromed Ball
- Blow-out Proof Stem
- PTFE Seats
- Vinyl Handle Grip Lever
- Conforms to ASME Boiler Code
- Complies with MSS-SP-80
- CRN# 0C13433.5C
- 100% Leak & Pressure Tested

Size	A	B	C	Weight
1/4"	2.25"	1.5"	3.25"	0.49 lbs

Ref#	Description
1	Male Plug
2	Packing
3	Disc Holder
4	Body
5	Cap Nut
6	Cap
7	Packing
8	Packing Gland
9	Stem
10	Lock Nut
11	Hand Wheel

\* Contains lead.

\* Not for use in systems intended for human consumption



Copyright©2021 Höt-Steam® All rights reserved.

Ver.2112