

DBDV Series



BRONZE "Y" BLOW DOWN VALVE



Specifications

- 200 lbs. WSP @ 406° F Max.
- 400 lbs. WOG
- Bronze Body Material / ASTM B62
- FNPT Threaded Ends
- Sizes: 1", 1-1/4"

Features

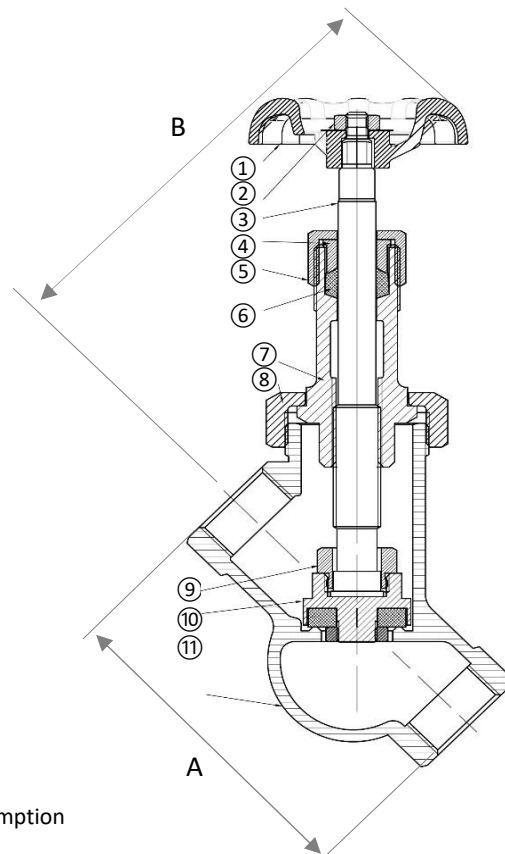
- Rising Stems
- Union Bonnet
- PTFE Disc
- Vented Hand Wheel
- Conforms to ASME Boiler Code
- Complies with MSS-SP-80
- CRN# 0C13433.5C
- 100% Leak & Pressure Tested

Size	A	B	Weight
1"	4.78"	6.2"	5.0 lbs
1-1/4"	5.66"	6.8"	6.5 lbs

Ref#	Description
1	Hand Wheel
2	Jam Nut
3	Stem
4	Packing Gland
5	Packing Nut
6	Gasket
7	Body Cap
8	Cap Nut
9	Lock Nut
10	Disc Holder
11	Body

* Contains lead.

* Not for use in systems intended for human consumption



Copyright©2021 Höt-Steam® All rights reserved.

Ver.2111