

BV185



BUCK VALVE LONG (BVG1 Gasket Included)

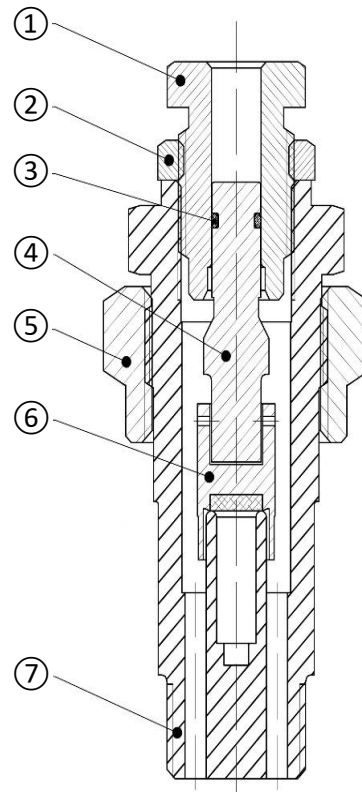


Specifications

- 125 lbs. WSP @ 350° F Max.
- 400 lbs. WOG
- NPT Threaded Ends

Features

- Brass Body
- 100% Leak & Pressure Tested
- PTFE Gasket Included



Ref	Item No.	Description
1	DX184	Stem Guide
2	DX183	Guide Lock Nut
3	OR182	Stem O-Ring
4	DX187	Stem
5	D794F	Body Lock Nut
6	DH-T	Disc Holder
7	DV132	Body

Copyright©2021 Höt-Steam® All rights reserved.

Ver.2305