

BV125



BUCK VALVE SHORT COUPLING (BVG1 Gasket Included)



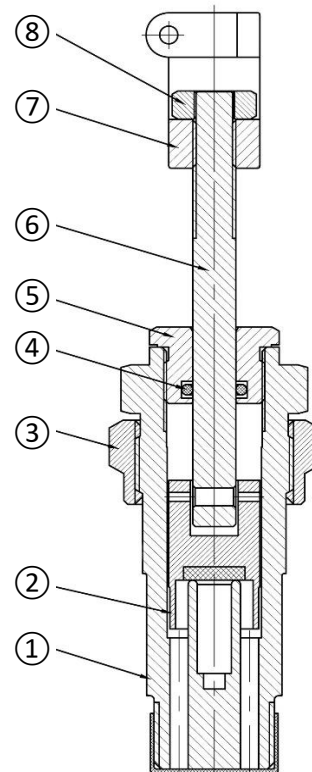
Specifications

- 125 lbs. WSP @ 350° F Max.
- 400 lbs. WOG
- NPT Threaded Ends

Features

- Brass Body
- 100% Leak & Pressure Tested
- PTFE Gasket Included

Ref	Item No.	Description
1	DV126	Brass Body
2	DH-T	Disc Holder
3	D794	Body Lock Nut
4	OR128	O-Ring
5	DR128	Stem Guide O-Ring
6	DV130	Stem Short
7	D634	Jam Nut (3/8")
8	D800	Coupling



Copyright©2021 Höt-Steam® All rights reserved.
Ver.2305