

4312G Studio Monitor Ghost Edition

3-way 12-inch Studio Monitor Loudspeaker

JBL



Product Overview

Legendary JBL Sound in a Limited-Edition Appearance Package

The 4312G honors JBL's storied legacy with the iconic 12-inch (300mm) 3-way configuration that dates back all the way to 1968. Crafted in the mold of the legendary 4310/4311 family, the 4312G delivers powerful bass, accurate midrange, and crystal-clear highs, at any listening level. The limited Ghost Edition of the 4312G Studio Monitor delivers the same impressive acoustic performance wrapped in a special all-white finish featuring a white wood-grain cabinet, white textured baffle, and a white control panel. In contrast to the white finish, the Ghost Edition features all black drivers and a black fabric grille. This striking design is only available for a limited time and is certain to become a collectible.

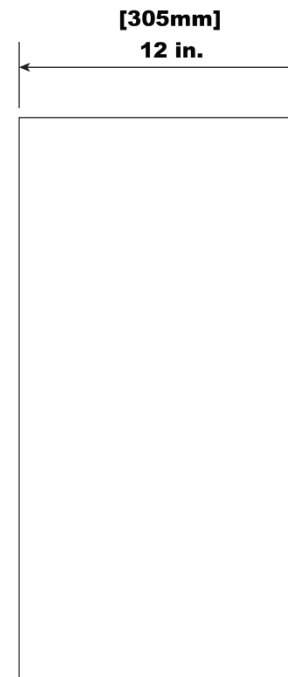
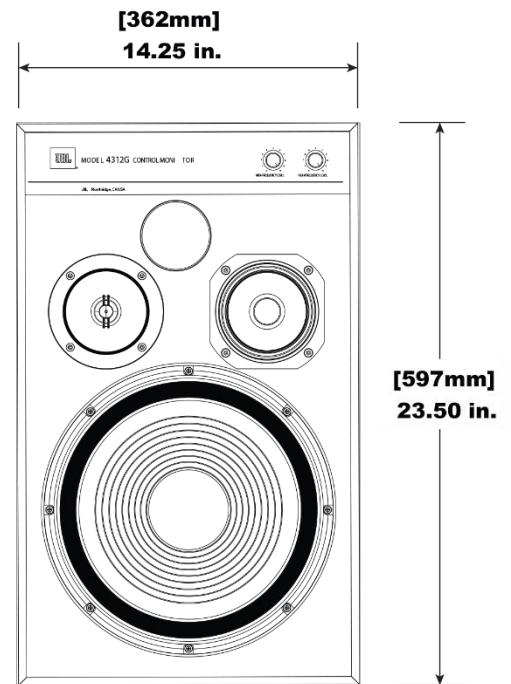
Highlights

- Limited-edition White Appearance Package
- 12-inch Pure Pulp black cone woofer
- 5-inch polymer-coated Pure Pulp black cone midrange
- 1-inch Magnesium/Aluminum tweeter with Acoustic Lens waveguide
- Mid-frequency and high-frequency attenuator controls
- Bass-reflex design with front-firing tuned port

Specifications

Low Frequency Transducer	12-inch (300mm) pure pulp cone woofer
Mid Frequency Transducer	5-inch (125mm) polymer-coated pure pulp cone
High Frequency Transducer	1-inch (25mm) Magnesium/Aluminum alloy dome tweeter with waveguide
Recommended Amplifier Power	10~200 Watts RMS
Frequency Response (-6dB)	44Hz~40kHz
Sensitivity (2.83V@1m)	90dB
Nominal Impedance	6 Ohm
Crossover Frequencies	640Hz, 5kHz
Enclosure Type	Bass-reflex via front-firing port
Inputs	Five-way Binding Posts
Finishes	White Woodgrain with Black Cloth Grille
Dimensions (H x W x D)	23.5 x 14.25 x 12 inches (597 x 362 x 305mm)
Weight	52.4 lbs (23.8kg) each

Dimensions



Side View