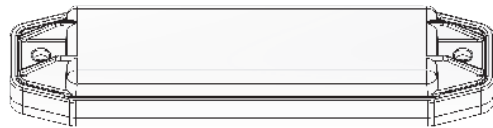


INSTALLATION AND CONFIGURATION MANUAL

Abrams Ultra Grill Lights



MODEL#: UG-1800

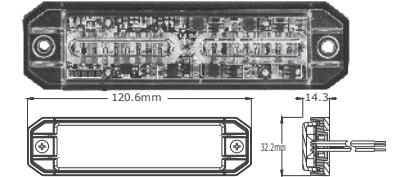
IMPORTANT! PLEASE READ THROUGH ALL PROVIDED INSTRUCTIONS AND ANY LISTED WARNINGS IN REGARDS TO PRODUCT USE.

INSTALLATION AND CONFIGURATION MANUAL

Abrams Ultra Grill Lights

Specifications

- LED: 4W*18 triple color
- LEDS per head : 18
- Voltage : 10-30VDC
- Flash patterns : 24
- Color : Color 1* Color 2*Color 3



- Proper installation of this product requires the installer to have a good understanding of automotive electronics, systems and procedures.
- Failure to use specified installation parts or hardware will void the product warranty.
- For this product to operate at optimum efficiency, a good electrical connection to chassis ground must be made.
- It is recommend that these instructions be stored in a safe place and referred to when performing maintenance or reinstallation of this products.
- Do not install and/or operate this safety product unless you have read and understand the safety information contained in this manual.

This document provides all the necessary information to allow your product to be properly and safely installed. Before beginning the installation and operation of your new product, the installation technician and operator must read this manual completely.

Apply GREEN to Black wire: -Less than 1 sec. for Color Switch

Color Switch :

- P1 → color1
- P2 → color2
- P3 → color3
- P4 → color1& color2
- P5 → color1& color3
- P6 → color2& color3
- P7 → color1& color2& color3

Ex :



INSTALLATION AND CONFIGURATION MANUAL

Abrams Ultra Grill Lights

Default

P1-Single Flash 75FPM Phase 1

Phase Operation

Phase 1 (Ph1) flashes simultaneously with Ph1

Phase 2 (Ph2) flashes simultaneously with Ph2

Ph1 alternates with Ph2

Operation

Apply BLUE to BLACK wire:

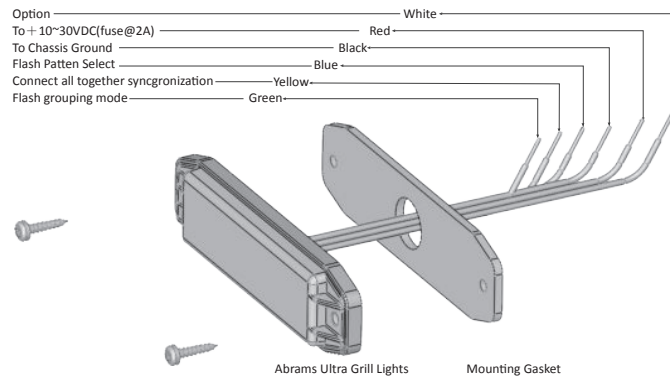
- Less than 1 sec. for next pattern
- Between 1-3 sec. for previous pattern
- Between 3-5 sec. for factory default
- More than 5 sec. for Last Pattern

(sync) means that pattern has synchronized function

Apply WHITE TO RED (+) wire: (Option)

-Only color3 for Stop/Turn/Brake/Tail Light Steady Burn pattern

Mounting



Inspect the contents to be certain that the following items are included:

A. LIGHT HEAD *1 B. Screw *2 C. Manual *1 D. Mounting Gasket *1

Option: E:Universal Mounting

Recommend Operation Environment

Ambient Temperature: -30 to 50 C

Relative Humidity: 10 to 85% , non-condensing

INSTALLATION AND CONFIGURATION MANUAL

Abrams Ultra Grill Lights

Trouble Shooting

The product has been factory tested and approved. If the functions of device fail, please check the following:

- 1.After connecting with the power supply, be sure that the power source end is joined in correct way. And then, make sure that there is no short-circuited power occurring.
2. Ensure Power switch is turned to "ON" position.
3. Press the Pattern Switch to be sure the "OFF" pattern is not selected. If the gray wire touches black wire over 5 seconds, it would switch to OFF pattern. It would be lighted up again when using gray wire touches black wire less than 1 second.

| A MODUL | B MODUL | C MODUL | A&B MODUL | A&C MODUL | B&C MODUL | A&B&C MODUL | | |
|-------------|---------|---------|-----------|-----------|-----------|-------------|---------------------------------|-------------|
| PATTERN NO. | | | | | | | PATTERNS | SYNCHRONIZE |
| 1 | 1 | 1 | 1 | 1 | 1 | 1 | Single Flash 75FPM Phase 1 | yes |
| 2 | 2 | 2 | 2 | 2 | 2 | 2 | Single Flash 75FPM Phase 2 | yes |
| 3 | 3 | 3 | 3 | 3 | 3 | 3 | Single Flash 120FPM Phase 1 | yes |
| 4 | 4 | 4 | 4 | 4 | 4 | 4 | Single Flash 120FPM Phase 2 | yes |
| 5 | 5 | 5 | 5 | 5 | 5 | 5 | Single Flash 375FPM Phase 1 | yes |
| 6 | 6 | 6 | 6 | 6 | 6 | 6 | Single Flash 375FPM Phase 2 | yes |
| 7 | 7 | 7 | 7 | 7 | 7 | 7 | Double Flash 75FPM Phase 1 | yes |
| 8 | 8 | 8 | 8 | 8 | 8 | 8 | Double Flash 75FPM Phase 2 | yes |
| 9 | 9 | 9 | 9 | 9 | 9 | 9 | Double Flash 120FPM Phase 1 | yes |
| 10 | 10 | 10 | 10 | 10 | 10 | 10 | Double Flash 120FPM Phase 2 | yes |
| 11 | 11 | 11 | 11 | 11 | 11 | 11 | Triple Flash 75FPM Phase 1 | yes |
| 12 | 12 | 12 | 12 | 12 | 12 | 12 | Triple Flash 75FPM Phase 2 | yes |
| 13 | 13 | 13 | 13 | 13 | 13 | 13 | Quad Flash 75FPM Phase 1 | yes |
| 14 | 14 | 14 | 14 | 14 | 14 | 14 | Quad Flash 75FPM Phase 2 | yes |
| 15 | 15 | 15 | 15 | 15 | 15 | 15 | Quad Flash 150FPM Phase 1 | yes |
| 16 | 16 | 16 | 16 | 16 | 16 | 16 | Quad Flash 150FPM Phase 2 | yes |
| 17 | 17 | 17 | | | | | CA T13 Single Flash 75FPM | NO |
| 18 | 18 | 18 | | | | | CA T13 Double Flash 75FPM | NO |
| 19 | 19 | 19 | | | | | NFPA-Quad Flash 75FPM | NO |
| 20 | 20 | 20 | | | | | ModuFlash sim. | NO |
| 21 | 21 | 21 | | | | | 2 Double Flash, 2 Quad Flash | NO |
| 22 | 22 | 22 | | | | | 4 Single Flash , 2 Triple Flash | NO |
| 23 | 23 | 23 | | | | | Autorun | NO |
| 24 | 24 | 24 | | | | | steady burn | NO |