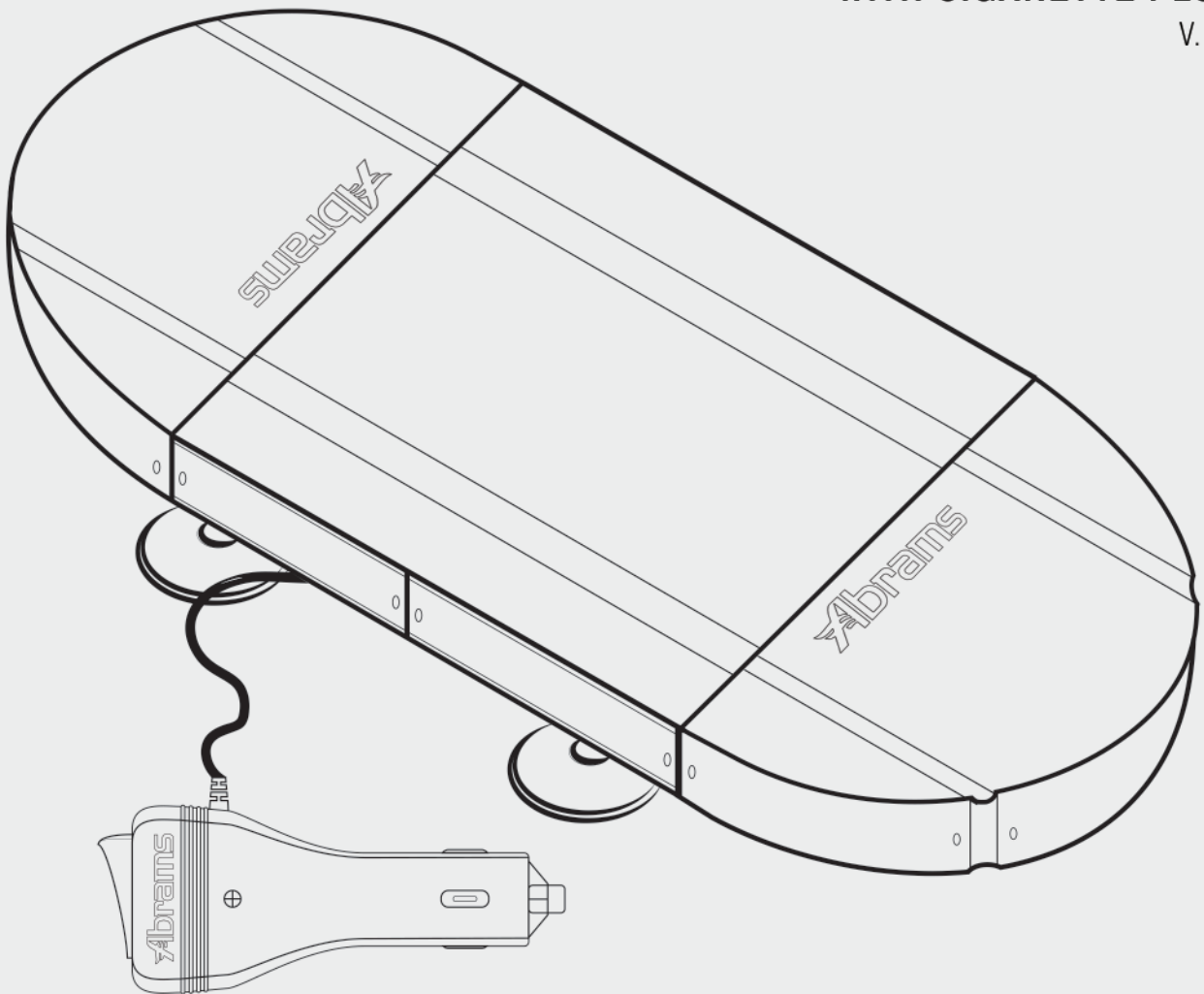




ABRAMS INSTRUCTION MANUAL  
WWW.ABRAMSMFG.COM

**INSTALLATION AND CONFIGURATION MANUAL**  
**ABRAMS 18" THUNDEREYE LIGHTBAR**  
**WITH CIGARETTE PLUG**

V.1.4



# THUNDEREYE 18" LIGHTBAR

---

**IMPORTANT!** PLEASE READ THROUGH ALL PROVIDED INSTRUCTIONS AND ANY LISTED WARNINGS IN REGARDS TO PRODUCT USE.

---

MODEL#: TE-18

**INSTALLATION AND CONFIGURATION MANUAL  
 ABRAMS THUNDEREYE 18" INCH LIGHTBAR**

# Table of Contents:

**SAFETY REGULATIONS AND WARRANTY.....2**

**EQUIPMENT AND DIMENSIONS..... 3**

**WIRING AND FUNCTION..... 3**

**INSTALLING BRACKETS..... 4**

**TROUBLESHOOTING AND MAINTENANCE.....5**

**WARNING:**

FAILURE TO INSTALL OR USE THIS PRODUCT ACCORDING TO MANUFACTURER’S RECOMMENDATIONS MAY RESULT IN PROPERTY DAMAGE, SERIOUS INJURY, AND/OR DEATH.

**IMPORTANT:**

PLEASE READ ALL OF THE FOLLOWING INSTRUCTIONS BEFORE INSTALLING YOUR NEW ABRAMS PRODUCT.

- PROPER INSTALLATION OF THIS PRODUCT REQUIRES THE INSTALLER TO HAVE A GOOD UNDERSTANDING OF AUTOMOTIVE ELECTRONICS, SYSTEMS AND PROCEDURES.
- THIS PRODUCT CONTAINS HIGH-INTENSITY LEDS. DO NOT STARE DIRECTLY INTO THESE LIGHTS. MOMENTARY BLINDNESS AND/OR EYE DAMAGE COULD RESULT.
- DO NOT INSTALL THIS PRODUCT OR ROUTE ANY WIRES IN THE DEPLOYMENT AREA OF YOUR AIR BAG. EQUIPMENT MOUNTED OR LOCATED IN THE AIR BAG DEPLOYMENT AREA WILL DAMAGE OR REDUCE THE EFFECTIVENESS OF THE AIR BAG, OR BECOME A PROJECTILE THAT COULD CAUSE SERIOUS PERSONAL INJURY OR DEATH. REFER TO YOUR VEHICLE OWNER MANUAL FOR THE AIR BAG DEPLOYMENT AREA. THE USER/INSTALLER ASSUMES FULL RESPONSIBILITY TO DETERMINE PROPER MOUNTING LOCATION, BASED ON PROVIDING ULTIMATE SAFETY TO ALL PASSENGERS INSIDE THE VEHICLE.
- IF MOUNTING THIS PRODUCT REQUIRES DRILLING HOLES, THE INSTALLER MUST BE SURE THAT NO VEHICLE COMPONENTS OR OTHER VITAL PARTS COULD BE DAMAGED BY THE DRILLING PROCESS. CHECK BOTH SIDES OF THE MOUNTING SURFACE BEFORE DRILLING BEGINS. ALSO DE-BURR ANY HOLES AND REMOVE ANY METAL SHARDS OR REMNANTS. INSTALL GROMMETS INTO ALL WIRE PASSAGE HOLES.
- INSPECT AND OPERATE THIS PRODUCT REGULARLY TO CONFIRM ITS PROPER OPERATION AND MOUNTING CONDITION. DO NOT USE A PRESSURE WASHER TO CLEAN THIS PRODUCT.
- FOR THIS PRODUCT TO OPERATE AT OPTIMUM EFFICIENCY, A GOOD ELECTRICAL CONNECTION TO CHASSIS GROUND MUST BE MADE. THE RECOMMENDED PROCEDURE REQUIRES THE PRODUCT GROUND WIRE TO BE CONNECTED DIRECTLY TO THE NEGATIVE (-) BATTERY POST.
- IT IS RECOMMENDED THAT THESE INSTRUCTIONS BE STORED IN A SAFE PLACE AND REFERRED TO WHEN PERFORMING MAINTENANCE AND/OR REINSTALLATION OF THIS PRODUCT.
- FAILURE TO FOLLOW THESE SAFETY PRECAUTIONS AND INSTRUCTIONS COULD RESULT IN DAMAGE TO THE PRODUCT OR VEHICLE AND/OR SERIOUS INJURY TO YOU AND YOUR PASSENGERS!
- IF THIS PRODUCT USES A REMOTE DEVICE TO ACTIVATE OR CONTROL THIS PRODUCT, MAKE SURE THAT THIS CONTROL IS LOCATED IN AN AREA THAT ALLOWS BOTH THE VEHICLE AND THE CONTROL TO BE OPERATED SAFELY IN ANY DRIVING CONDITION.
- DO NOT ATTEMPT TO ACTIVATE OR CONTROL THIS DEVICE IN A HAZARDOUS DRIVING SITUATION.

**WARNING!** USING A WARNING DEVICE WITH A MAGNET MOUNT ON THE OUTSIDE OF A VEHICLE WHILE IT IS IN MOTION IS AT THE SOLE RISK AND RESPONSIBILITY OF THE USER. SEEK A PROFESSIONAL INSTALLER FOR ASSISTANCE

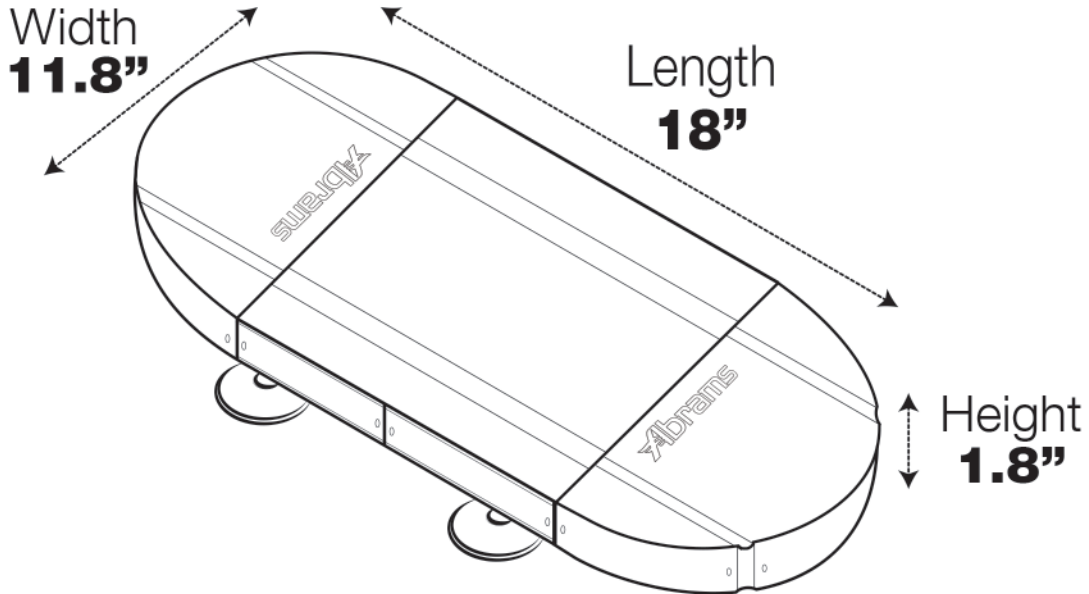
**WARRANTY (5 YEAR WARRANTY)**

THIS PRODUCT WAS TESTED AND FOUND TO BE OPERATIONAL AT THE TIME OF MANUFACTURE. PROVIDED THIS PRODUCT IS INSTALLED AND OPERATED IN ACCORDANCE WITH THE MANUFACTURER’S RECOMMENDATIONS, ABRAMS GUARANTEES THIS PRODUCT FOR A PERIOD OF 5 YEARS FROM THE DAY OF PURCHASE OR DELIVERY, WHICH EVER IS LATER. UNITS DEMONSTRATED TO BE DEFECTIVE WITHIN THE WARRANTY PERIOD WILL BE REPLACED. IMPROPER INSTALLATION OR USE OF INAPPROPRIATE OR INADEQUATE WIRING OR CIRCUIT PROTECTION CAUSES THE WARRANTY TO BE VOID. FAILURE OR DESTRUCTION OF THE PRODUCT RESULTING FROM ABUSE OR UNUSUAL USE AND/OR ACCIDENTS IS NOT COVERED BY THIS WARRANTY. ABRAMS SHALL IN NO WAY BE LIABLE FOR OTHER DAMAGES INCLUDING CONSEQUENTIAL, INDIRECT OR SPECIAL DAMAGES WHETHER LOSS IS DUE TO NEGLIGENCE OR BREACH OF WARRANTY. ABRAMS MAKES NO OTHER EXPRESS OR IMPLIED WARRANTY INCLUDING, WITHOUT LIMITATION, WARRANTIES OF FITNESS OR MERCHANTABILITY, WITH RESPECT TO THIS PRODUCT.

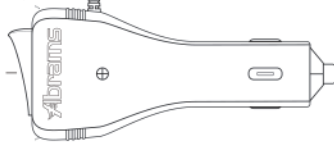
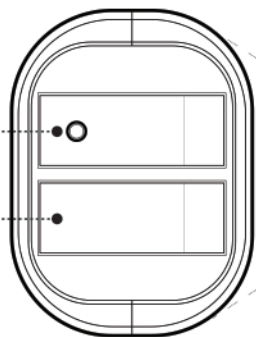
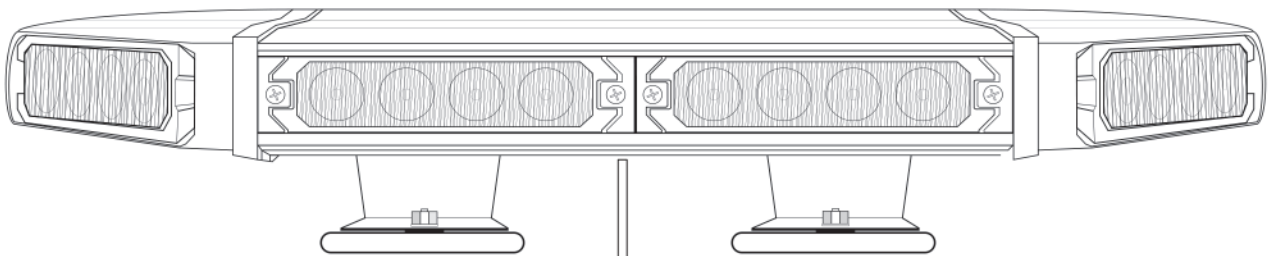


## INSTALLATION AND CONFIGURATION MANUAL ABRAMS THUNDEREYE 18" INCH LIGHTBAR

### EQUIPMENT AND DIMENSIONS



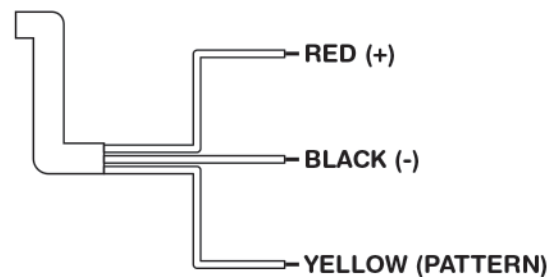
### WIRING AND FUNCTION



**Please Note!**  
 The Abrams Mini Lightbar allows for a cigarette plug or hardwire option. The cigarette plug features 2 ON/OFF switches and a flash pattern changer switch.

- ON/OFF SWITCH
- MOMENTARY SWITCH/  
FLASH PATTERN CHANGER

HARDWIRING TO YOUR CAR: FOLLOW WIRING DIAGRAM AS SHOWN



TO CHANGE FLASH PATTERNS, CONNECT THE YELLOW WIRE TO BLACK (-) FOR 1 SECONDS.

#### PACKAGE CONTENTS:

- ABRAMS 18" THUNDEREYE LIGHTBAR
- ABRAMS CIGARETTE LIGHTER PLUG
- MAGNETIC MOUNTING PADS
- 12 FT POWER CABLE HARNESS
- PRODUCT INSTALLATION MANUAL

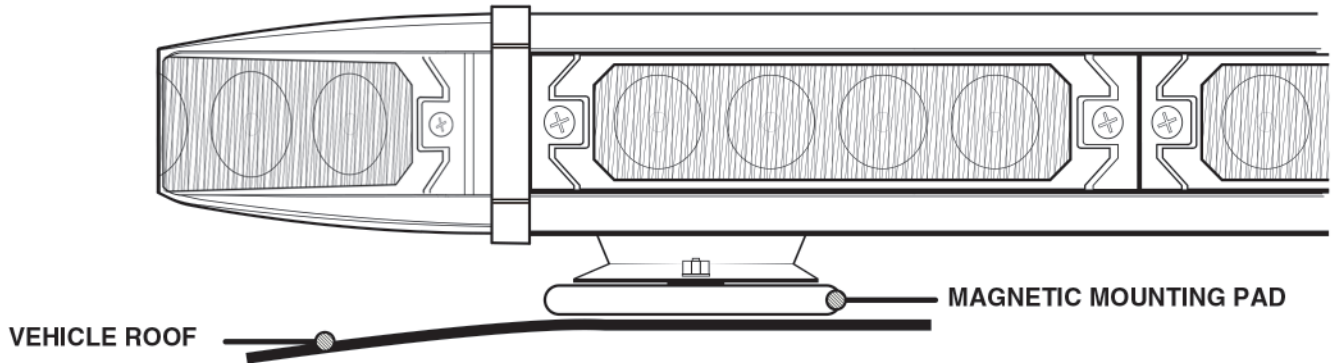
**IMPORTANT!** PLEASE READ THROUGH ALL PROVIDED INSTRUCTIONS AND ANY LISTED WARNINGS IN REGARDS TO PRODUCT USE.

## INSTALLATION AND CONFIGURATION MANUAL ABRAMS THUNDEREYE 18" INCH LIGHTBAR

### MOUNTING OPTIONS

**WARNING!** USING A WARNING DEVICE WITH A MAGNET MOUNT ON THE OUTSIDE OF A VEHICLE WHILE IT IS IN MOTION IS AT THE SOLE RISK AND RESPONSIBILITY OF THE USER. SEEK A PROFESSIONAL INSTALLER FOR ASSISTANCE

#### TEMPORARY ROOF MOUNTING OPTION



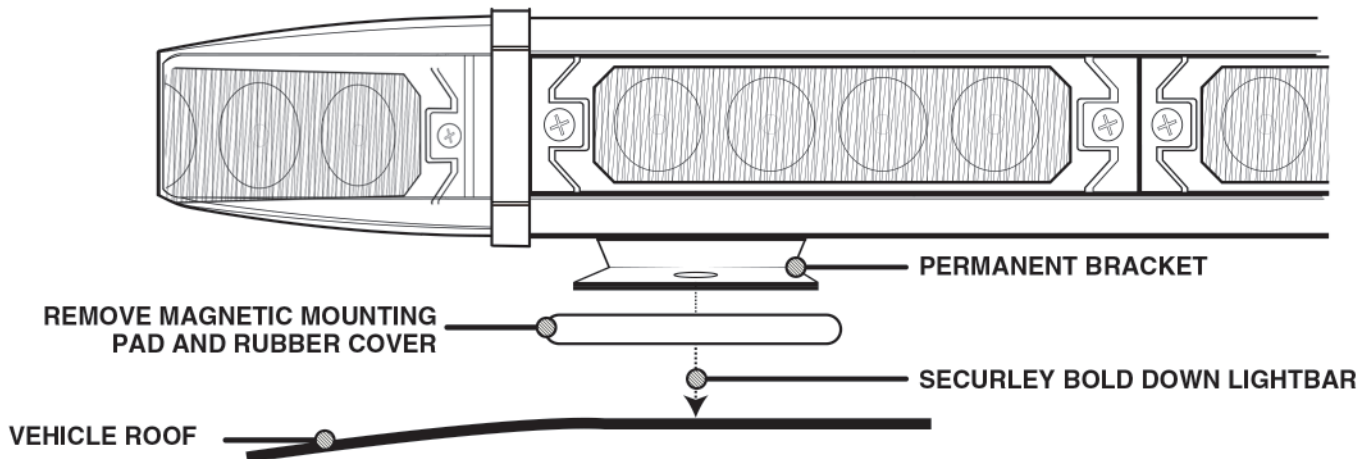
#### PERMANENT MOUNT INSTALLATION:

**STEP 1:** CLEAN THE SURFACE WHERE THE LIGHT BAR WILL BE MOUNTED

**STEP 2:** PLACE THE LIGHT BAR ON A FLAT SURFACE OF THE VEHICLE AND ADJUST THE MAGNET FEET TO FIT YOUR VEHICLE ACCORDING TO THE ZONES SPECIFIED BY THE VEHICLE MANUFACTURE.

- LIGHT BARS SHOULD BE MOUNTED A MINIMUM OF 12" - 34" FROM THE RADIO ANTENNA TO AVOID INTERFERENCE.
- IF YOU DO NOT KNOW WHERE TO MOUNT YOUR BAR, SEEK A PROFESSIONAL INSTALLER FOR THE INSTALLATION.

#### PERMANENT ROOF MOUNTING OPTION



**WARNING!** DO NOT DRILL THROUGH THE ROOF SUPPORT MEMBER WHICH SPANS BETWEEN THE PASSENGER AND DRIVERS SIDE OF THE VEHICLE. IF THIS APPLIES TO YOU, ADJUST THE LOCATION WHERE THE BAR WILL BE MOUNTED TO AVOID CONTACT WITH THIS SUPPORT MEMBER

#### PERMANENT MOUNT INSTALLATION:

**STEP 1:** REMOVE THE FOUR MAGNETIC MOUNTING PADS AND RUBER COVERS ATTACHED TO THE PERMANENT BRACKET.

**STEP 2:** PLACE THE PERMANENT BRACKET ON THE VEHILCE AND MARK THE HOLES FOR DRILLING.

**STEP 3:** DRILL THE MARKED HOLES.

**STEP 4:** ATTACH THE PERMANENT BRACKET TO THE VEHICLE WITH BOLT, NUT AND WASHER. (USER PROVIDED).

\*\*IF YOU REQUIRE ADDITIONAL INFORMATION AND/OR VIDEO AND USER GUIDES, PLEASE VISIT [WWW.ABRAMSMFG.COM/SUPPORT](http://WWW.ABRAMSMFG.COM/SUPPORT) OR CALL ABRAMS CUSTOMER SUPPORT 844.9.ABRAMS

## INSTALLATION AND CONFIGURATION MANUAL

### ABRAMS THUNDEREYE 18" INCH LIGHTBAR

#### Maintenance

- While Abrams products are very durable, there are some things you need to keep in mind and practice to preserve the longevity and function of your product.
- Never take any Abrams Lightbar through a car wash, such as a pressure washer, automatic car wash, brushes that will scratch your equipment or similar car washes or equipment where chemicals, high pressure water, and materials may scratch or damage your equipment.
- Use Water with a soft cloth to clean your products and lenses.

Yellowing of clear lenses may occur overtime. Lenses can be purchased by calling Abrams Customer Service at 844-9-ABRAMS

#### Trouble Shooting

All Manufacture Defects are covered under the Abrams Warranty accordingly. Warranty is void with disassembly or rewiring of any Abrams Products or Improper Wiring or Installation. If you are unsure how to trouble shoot your light bar for any reason or if the trouble shooting does not fix your issue, call Customer Service immediately for assistance at 844-9-ABRAMS

#### TROUBLESHOOTING AND MAINTENANCE

Problem	Scenarios	Possible Cause	Trouble Shooting
Warning LED module has one or all diodes out	Are all the LED Diodes out?  No  Yes	If at least one LED diode is out, the LED Module needs to be replaced.  Defective PCB in the Abrams Control Box or LED module or cables disconnected from Connector or LED.	Call Abrams Customer Service to make a warranty claim for a new LED  1. Make sure the product is disconnected from power. 2. Unscrew the two screws that secure the LED module for the light bar. 3. Pull the LED out gently and slowly. 4. You will see red and black wires that lead to a connector. 5. Confirm that the wires with pins are in the connectors (Both male and female connectors) have not come out of the connectors. 6. If so: use a pin pusher to place the wires back into the connector. A. Ensure the wings of the pin are opened to ensure a proper connection. B. If closed use tweezers to pull away from the base. C. A click will be heard when placing the pin back into the connector. D. Make sure the pin is seated in the center of its pin position to ensure proper connection 7. If not: continue reading: 1. Follow steps 1 - 4 to unplug a working module in the same manner. 2. Plug in the defective module into the working modules position. A. If the LED module comes on. You need a new PCB or Abrams Control Box B. If the LED module does not come on. You need a new LED module
No recall of flash pattern	Is the units power cables run to the correct locations: Positive (red) and Negative (black), directly to the battery?  No  Yes	Improper Grounding.	If grounded incorrectly, an electrical feedback could be the culprit. Electrical feedback can cause the PCB not to recognize the command that it is being told to do. Move the ground to proper location and see if this fixes the issue.  A New PCB may be required.
Pressing buttons on the Switch Box but light bar doesn't respond at all or for specific function	Do the LEDs light up on the LED Display?  No  Yes	Broken Fuse  Disconnected Connector  Damaged Cable  TEST THE POSSIBLE CAUSES FOR "No"  Wires in the wrong location	If the inline fuse is broken, replace it with a fuse with the same AMPs.  Check that the connector is fully recessed in the switch box. If you have an extension cable with connectors check that the connection has not disconnected.  Check the full length of your wiring to make sure there are no spliced wired in the cable harness.  TEST THE POSSIBLE CAUSES FOR "No"  You may have a wire that is not in the correct position. If you are using an extension cable with connectors or no connector, make sure that the wires are corresponding correctly. In other words, simply make sure the colors are matching one another and that you do not have a Green connected to a Yellow. Green should be connected to Green.
Lights randomly going on or interference?	Yes		Ensure that the power and ground are connected accordingly.  Check CB or two way radio, move lightbar away from antenna as far as possible, do not run radio and lightbar wires in parallel.