

INSTALLATION AND CONFIGURATION MANUAL ABRAMS TRAILER TAIL LIGHT

MODEL: TTL-R10 MODEL: TTL-R24
 MODEL: TTL-O10 MODEL: TTL-O24
 MODEL: TTL-S10 MODEL: TTL-S24

WARNING:

FAILURE TO INSTALL OR USE THIS PRODUCT ACCORDING TO MANUFACTURER'S RECOMMENDATIONS MAY RESULT IN PROPERTY DAMAGE, SERIOUS INJURY, AND/OR DEATH.

IMPORTANT:

PLEASE READ ALL OF THE FOLLOWING INSTRUCTIONS BEFORE INSTALLING YOUR NEW ABRAMS TRAILER TAIL LIGHT.

- PROPER INSTALLATION OF THIS PRODUCT REQUIRES THE INSTALLER TO HAVE A GOOD UNDERSTANDING OF AUTOMOTIVE ELECTRONICS, SYSTEMS AND PROCEDURES.
- THIS PRODUCT CONTAINS HIGH-INTENSITY LEDS. DO NOT STARE DIRECTLY INTO THESE LIGHTS. MOMENTARY BLINDNESS AND/OR EYE DAMAGE COULD RESULT.
- DO NOT INSTALL THIS PRODUCT OR ROUTE ANY WIRES IN THE DEPLOYMENT AREA OF YOUR AIR BAG. EQUIPMENT MOUNTED OR LOCATED IN THE AIR BAG DEPLOYMENT AREA WILL DAMAGE OR REDUCE THE EFFECTIVENESS OF THE AIR BAG, OR BECOME A PROJECTILE THAT COULD CAUSE SERIOUS PERSONAL INJURY OR DEATH. REFER TO YOUR VEHICLE OWNER MANUAL FOR THE AIR BAG DEPLOYMENT AREA. THE USER/INSTALLER ASSUMES FULL RESPONSIBILITY TO DETERMINE PROPER MOUNTING LOCATION, BASED ON PROVIDING ULTIMATE SAFETY TO ALL PASSENGERS INSIDE THE VEHICLE.
- IF MOUNTING THIS PRODUCT REQUIRES DRILLING HOLES, THE INSTALLER MUST BE SURE THAT NO VEHICLE COMPONENTS OR OTHER VITAL PARTS COULD BE DAMAGED BY THE DRILLING PROCESS. CHECK BOTH SIDES OF THE MOUNTING SURFACE BEFORE DRILLING BEGINS. ALSO DE-BURR ANY HOLES AND REMOVE ANY METAL SHARDS OR REMNANTS. INSTALL GROMMETS INTO ALL WIRE PASSAGE HOLES.

- INSPECT AND OPERATE THIS PRODUCT REGULARLY TO CONFIRM ITS PROPER OPERATION AND MOUNTING CONDITION. DO NOT USE A PRESSURE WASHER TO CLEAN THIS PRODUCT.
- FOR THIS PRODUCT TO OPERATE AT OPTIMUM EFFICIENCY, A GOOD ELECTRICAL CONNECTION TO CHASSIS GROUND MUST BE MADE. THE RECOMMENDED PROCEDURE REQUIRES THE PRODUCT GROUND WIRE TO BE CONNECTED DIRECTLY TO THE NEGATIVE (-) BATTERY POST.
- IT IS RECOMMENDED THAT THESE INSTRUCTIONS BE STORED IN A SAFE PLACE AND REFERRED TO WHEN PERFORMING MAINTENANCE AND/OR REINSTALLATION OF THIS PRODUCT.
- FAILURE TO FOLLOW THESE SAFETY PRECAUTIONS AND INSTRUCTIONS COULD RESULT IN DAMAGE TO THE PRODUCT OR VEHICLE AND/OR SERIOUS INJURY TO YOU AND YOUR PASSENGERS!
- IF THIS PRODUCT USES A REMOTE DEVICE TO ACTIVATE OR CONTROL THIS PRODUCT, MAKE SURE THAT THIS CONTROL IS LOCATED IN AN AREA THAT ALLOWS BOTH THE VEHICLE AND THE CONTROL TO BE OPERATED SAFELY IN ANY DRIVING CONDITION.
- DO NOT ATTEMPT TO ACTIVATE OR CONTROL THIS DEVICE IN A HAZARDOUS DRIVING SITUATION

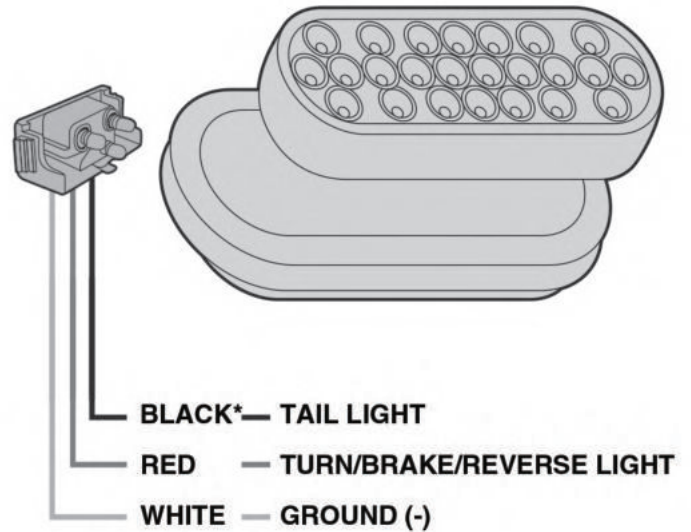


MODEL #: TTL-010

MODEL #: TTL-R10

MODEL #: TTL-S24

- PACKAGE CONTENTS:**
- Trailer Tail Light
 - Right Angle Connector
 - Rubber Grommet
 - Product Manual



*AVAILABLE ON AMBER & RED MODELS ONLY.

Recommend Operation Environment

Ambient Temperature: -30 to 50

Relative Humidity: 10 to 85% , non-condensing

INPUT VOLTAGE	8-16VDC	
WORK CURRENT	# TTL-R10 - 0.025A	# TTL-R24 - 0.12A
	# TTL-O10 - 0.025A	# TTL-O24 - 0.12A
	# TTL-S10 - 0.025A	# TTL-S24 - 0.12A
WATERPROOF	IP67	

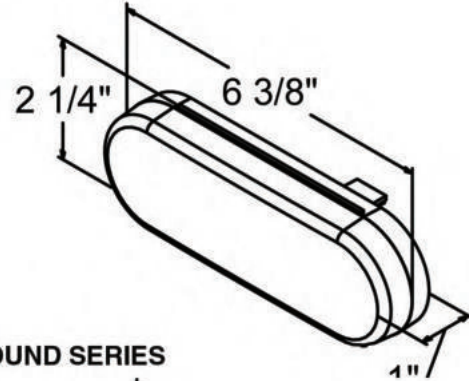
INSTALLATION AND CONFIGURATION MANUAL ABRAMS TRAILER TAIL LIGHT

MODEL: TTL-R10 MODEL: TTL-R24
 MODEL: TTL-O10 MODEL: TTL-O24
 MODEL: TTL-S10 MODEL: TTL-S24

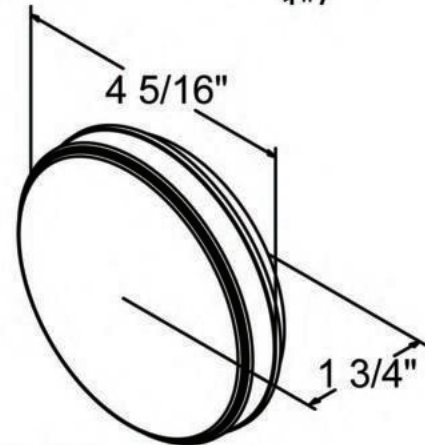
MOUNTING

1. Determine how the current light to be replaced is installed on to the truck/trailer.
2. If the light to be replaced is installed with the rubber grommets, removing the light from the rubber grommet by using a flat head screw driver or prying tool.
3. If the light that has to be replaced is installed with a metal bezel held in place by rivets, remove the rivets by using pliers, a flat head screwdriver with a mallet, a power drill with a drill bit slightly larger than the hole in the rivet.
4. Pull out the old light and some of the wiring
5. If there is a existing wiring harness present, disconnect the wiring harness from the light to be replaced.
6. If there is no wiring harness present, disconnect the electrical wires connected to the light while salvaging as much of the wiring as possible.
7. If no wiring was present, splice the exiting wires to the wiring harness included with the new light to its correct function. Refer to the wiring diagram for more information.
8. If there was a wiring harness present. Check the condition of the contacts, clean with wire brush, Replace the existing wiring harness and utilize the new one included with the light.
9. Remove the old rubber grommet. (if present)
10. Install the new rubber grommet (included)
11. Dielectric grease has been added to the contacts on the new light to protect the terminals from moisture and dust,
12. Proceed to connect the wiring harness to the new light.
13. Test the function on the new light by turning on and engaging the power to the corresponding light the unit is connected to.
14. Proceed to install the new light in to the new rubber grommet, ensuring that the electrical wires do not become pinched.
15. A light coating of grease can be applied alongside the rubber grommet to allow the new light to slide into the grommet easier.
16. Ensure that the new light is fully seated in the grommet.

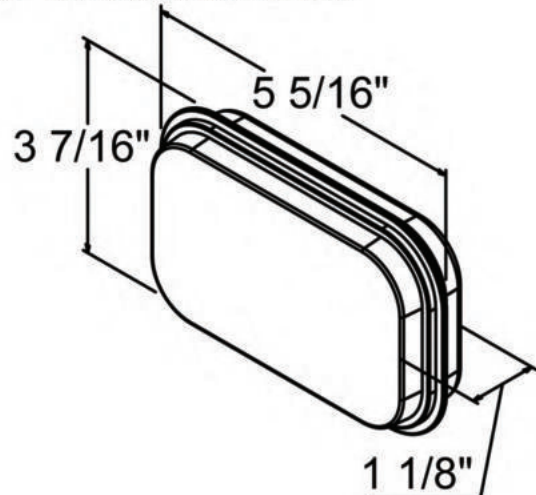
6" OVAL SERIES



4" ROUND SERIES



5" x 3" RECTANGULAR SERIES



**IF YOU REQUIRE ADDITIONAL INFORMATION AND/OR VIDEO AND USER GUIDES, PLEASE VISIT WWW.ABRAMSMFG.COM/SUPPORT OR CALL ABRAMS CUSTOMER SUPPORT 844.9.ABRAMS

WARRANTY (5 YEAR WARRANTY)

THIS PRODUCT WAS TESTED AND FOUND TO BE OPERATIONAL AT THE TIME OF MANUFACTURE. PROVIDED THIS PRODUCT IS INSTALLED AND OPERATED IN ACCORDANCE WITH THE MANUFACTURER'S RECOMMENDATIONS, ABRAMS GUARANTEES THIS PRODUCT FOR A PERIOD OF 5 YEARS FROM THE DAY OF PURCHASE OR DELIVERY, WHICH EVER IS LATER. UNITS DEMONSTRATED TO BE DEFECTIVE WITHIN THE WARRANTY PERIOD WILL BE REPLACED. IMPROPER INSTALLATION OR USE OF INAPPROPRIATE OR INADEQUATE WIRING OR CIRCUIT PROTECTION CAUSES THE WARRANTY TO BE VOID. FAILURE OR DESTRUCTION OF THE PRODUCT RESULTING FROM ABUSE OR UNUSUAL USE AND/OR ACCIDENTS IS NOT COVERED BY THIS WARRANTY. ABRAMS SHALL IN NO WAY BE LIABLE FOR OTHER DAMAGES INCLUDING CONSEQUENTIAL, INDIRECT OR SPECIAL DAMAGES WHETHER LOSS IS DUE TO NEGLIGENCE OR BREACH OF WARRANTY. ABRAMS MAKES NO OTHER EXPRESS OR IMPLIED WARRANTY INCLUDING, WITHOUT LIMITATION, WARRANTIES OF FITNESS OR MERCHANTABILITY, WITH RESPECT THIS PRODUCT.

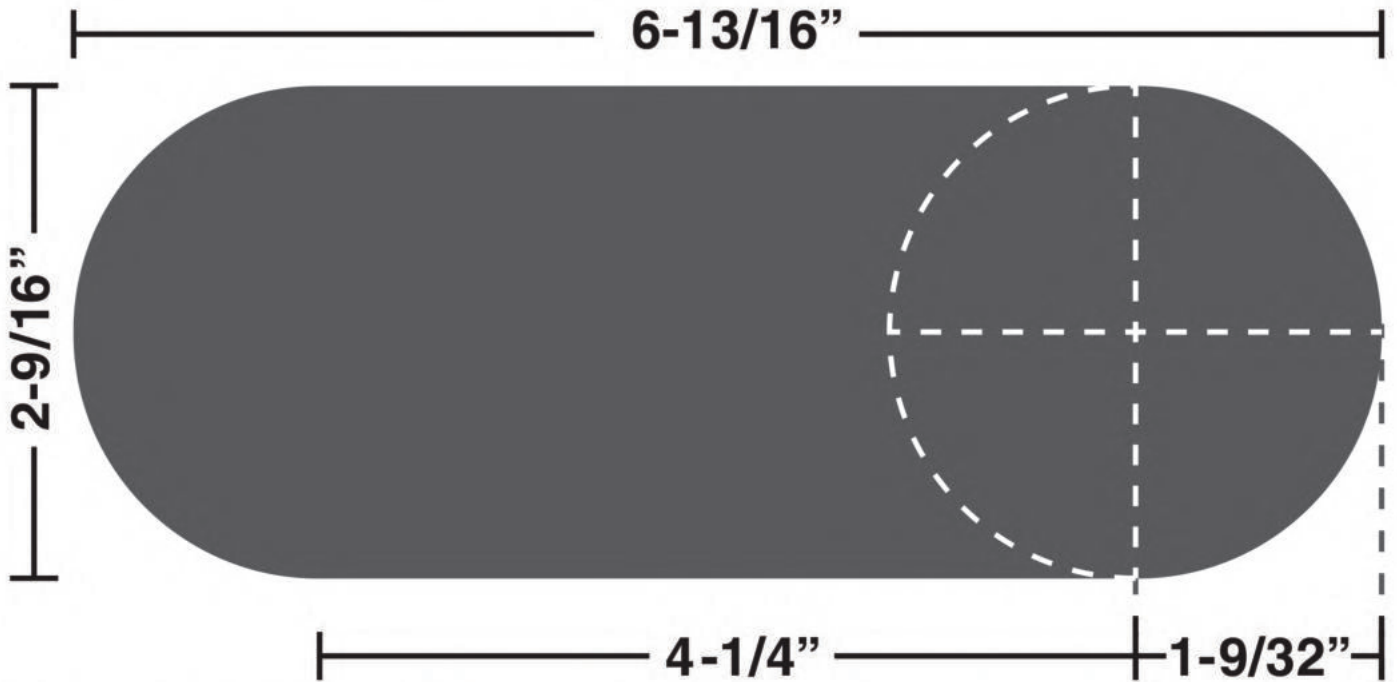


INSTALLATION AND CONFIGURATION MANUAL ABRAMS TRAILER TAIL LIGHT

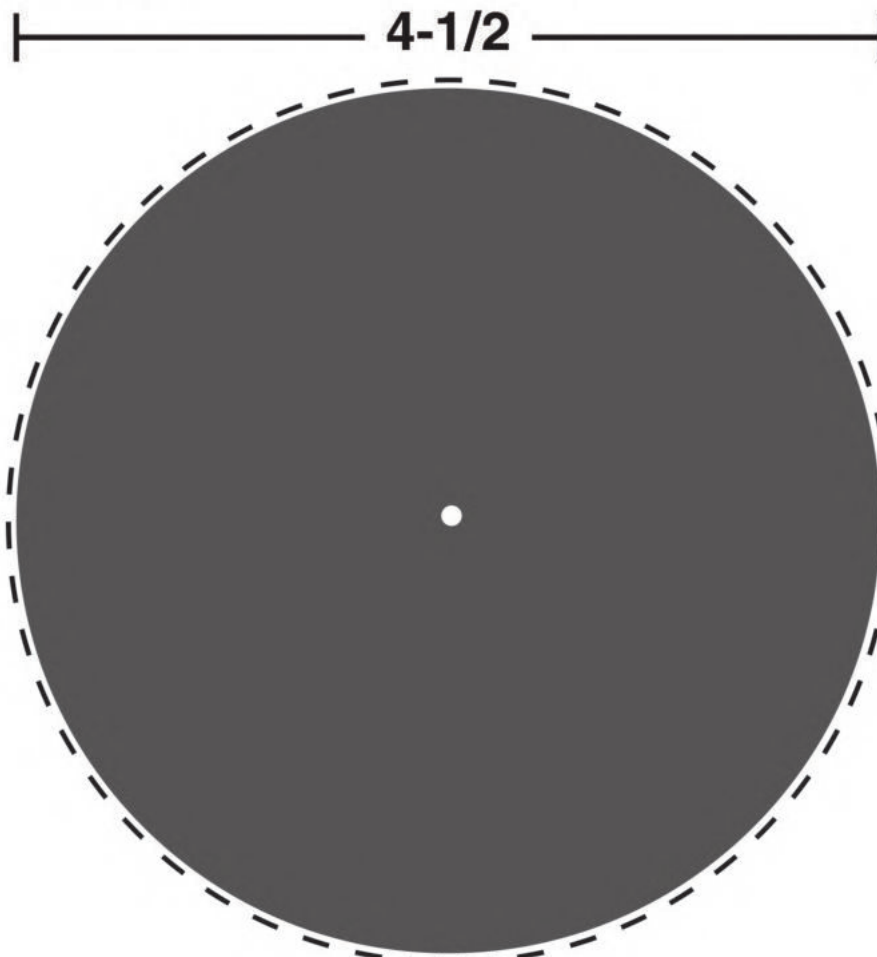
MODEL: TTL-R10 MODEL: TTL-R24
MODEL: TTL-O10 MODEL: TTL-O24
MODEL: TTL-S10 MODEL: TTL-S24

Cutout Dimensions for Trailer Tail Light

MODEL: TTL-O10 / TTL-O24



MODEL: TTL-R10 / TTL-R24



INSTALLATION AND CONFIGURATION MANUAL
ABRAMS TRAILER TAIL LIGHT

MODEL: TTL-R10 MODEL: TTL-R24
MODEL: TTL-O10 MODEL: TTL-O24
MODEL: TTL-S10 MODEL: TTL-S24

Cutout Dimensions for Trailer Tail Light

MODEL: TTL-S10 / TTL-S24

