



bestchoiceproducts



INSTRUCTION MANUAL

14000 BTU
Portable Air Conditioner

NOTICE

Please retain these instructions for future reference.

- This appliance is not a toy.
- Do not allow children to operate this appliance. Keep appliance out of reach of children.
- This item is intended for indoor, household use only.
- Place appliance on a stable and level surface.
- Unplug appliance before moving, assembly, disassembly, or cleaning.
- Ensure that your voltage is consistent with specifications.
- Make sure that no other high current appliances are plugged into the same circuit with the air conditioner as an overload could occur.
- This appliance is not intended for use by persons (including children) with reduced physical, sensory or mental capabilities, or lack of experience and knowledge, unless they have been given supervision or instruction concerning use of the appliance by a person responsible for their safety.
- If any parts are missing, broken, damaged, or worn, stop using this product until repairs are made and/or factory replacement parts are installed.
- Do not use this item in a way inconsistent with the manufacturer's instructions as this could void the product warranty.

WARNING

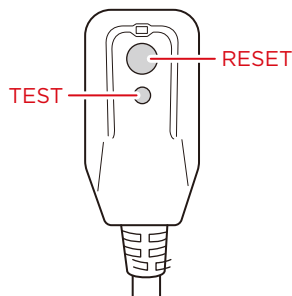
- Do not hit, shake, or damage the appliance.
- Do not place outdoors or in a damp environment.
- Do not operate in the immediate vicinity of water, such as near a bathtub, washbowl, bathroom, or swimming pool.
- Keep appliance away from direct sunlight and other heat sources (stove, heater, etc.).
- Do not spray insecticides or other combustible materials near the appliance.
- Never obstruct the air inlet and outlet openings. Do not place objects on the appliance or allow objects to obstruct the inlet or outlet openings.
- Do not insert objects or fingers into inlet/outlet openings.
- Do not cover the unit when in operation.
- Do not place the cord under carpet or cover with throw rugs or furniture. Arrange the cord so that it cannot be tripped over.
- Do not run power cord over sharp edges/corners or a hot surface.
- Do not immerse the appliance or power cord in water or any other liquid.
- Do not spill water on the electrical components or connectors.
- Do not touch the plug or operate appliance with wet hands.
- Do not unplug the appliance by pulling on the power cord. Always grasp the plug firmly and pull straight out from the outlet.
- Do not use if the plug or any components are damaged.
- Do not use any accessory or fitting other than original accessories and fittings.

POWER CORD

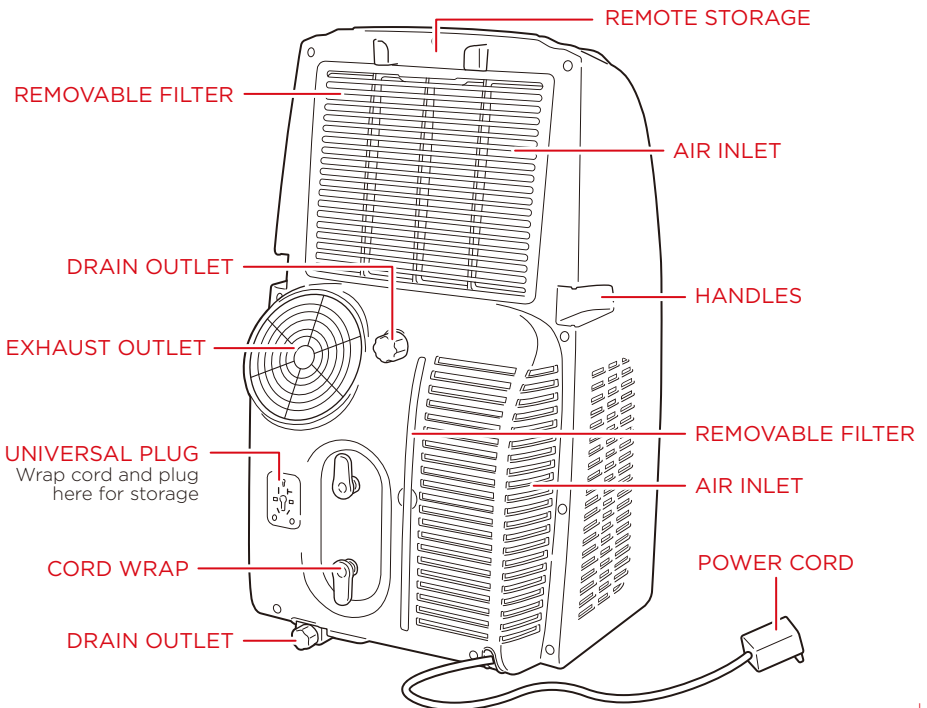
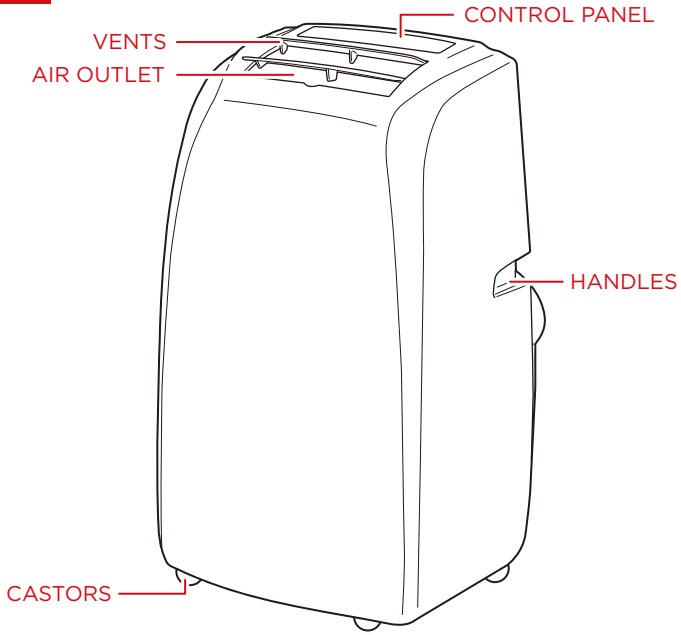
- This appliance must be grounded with the 3-prong grounding plug.
- Do not use a 3-prong adaptor or cut off the grounding plug.
- Do not share a wall outlet with other appliances.
- Using an extension cord is not recommended as the cord may overheat.

Power cord comes with an integrated circuit breaker. Routinely test the circuit breaker by doing the following:

- With the power cord plugged in, press the **TEST** button and the **RESET** button should pop out.
- Press the **RESET** button and make sure it engages.

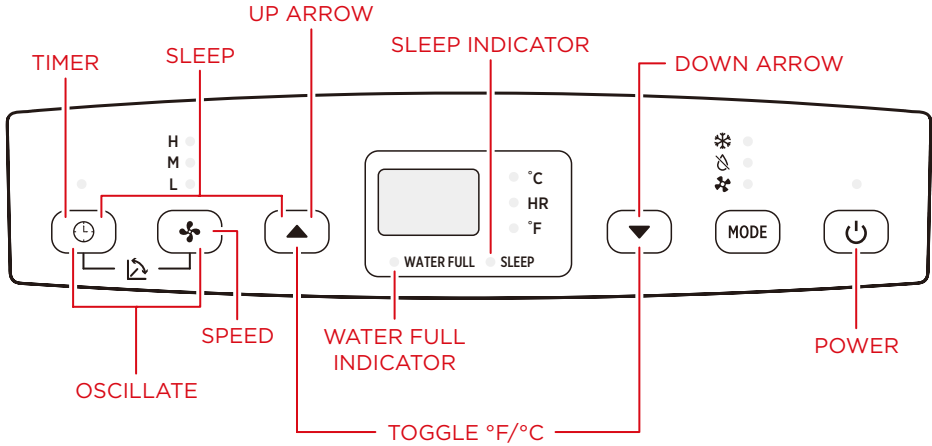


DIAGRAM



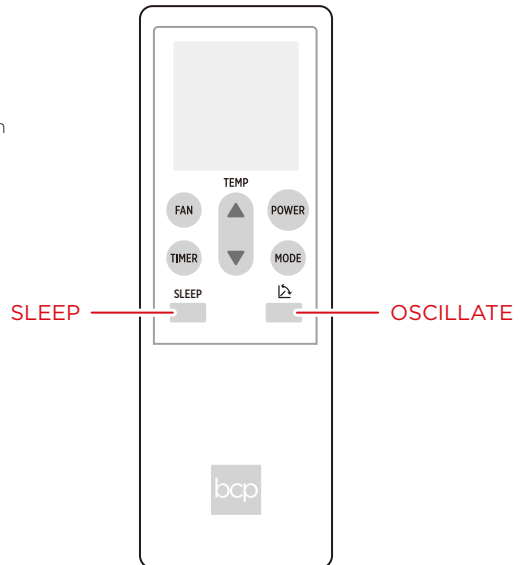
CONTROL PANEL

- **MODE:** Cycle between cool, dehumidify, and fan mode
- **UP ARROW:** Increase temperature/time
- **DOWN ARROW:** Decrease temperature/time
- **SPEED:** Toggle fan speed between low, medium, and high
- **TIMER:** Set timer from 1 to 24 hours
- **OSCILLATE:** Press Speed and Timer at same time to toggle vent oscillation
- **SLEEP:** Press Timer and Up Arrow at same time to enter Sleep mode (see Remote section)
- **WATER FULL INDICATOR:** Indicates water tank is full and needs to be drained
- **SLEEP INDICATOR:** Indicates unit is in Sleep mode
- **TOGGLE °F/°C:** Press Up Arrow and Down Arrow at same time



REMOTE

- Install 2 AAA batteries in the remote control.
- **SLEEP:** Unit enters Sleep mode
 1. Fan turns to low
 2. After 2 hours, temperature increases 1°F
 3. After 2 hours, temperature increases 1°F again
 4. Temperature remains unchanged afterwards



TOOLS REQUIRED



PHILLIPS
SCREWDRIVER



2 AAA BATTERIES



2 PERSON
ASSEMBLY



APPROXIMATELY
15 MIN.
ASSEMBLY

HARDWARE

1 M4 x 10mm SCREW



6 PCS

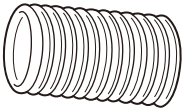
2 M4 x 8mm SCREW



6 PCS

PARTS

A EXHAUST HOSE



1 PC

B HOSE ADAPTOR



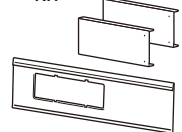
1 PC

C VENTING ADAPTOR



1 PC

D WINDOW VENTING KIT



1 SET

E REMOTE



1 PC

SETTING UP THE APPLIANCE

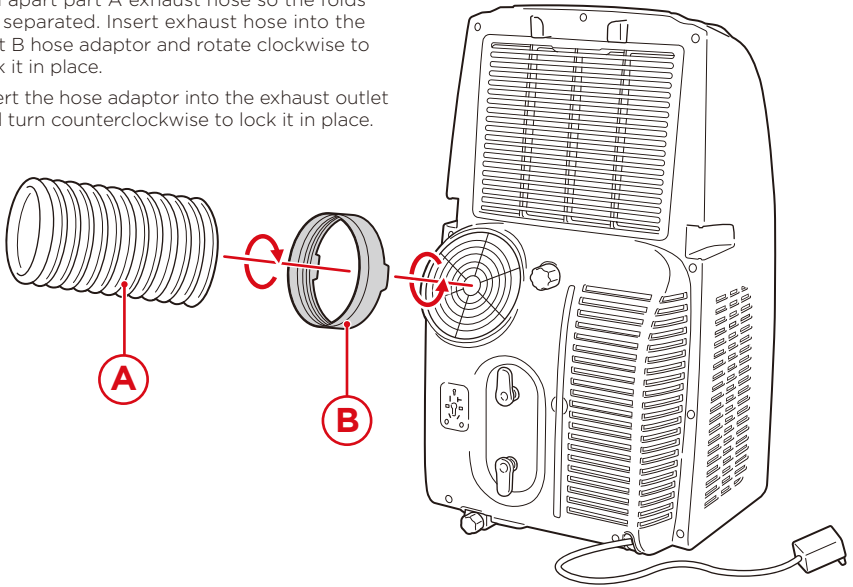
- Remove all packaging and accessories. Inspect appliance to make sure that it is in good condition.
- Place appliance on a stable and level surface near a window and wall outlet.
- Make sure there is at least **20 inches** of clearance from the wall and on all sides.
- Keep unit at least **40 inches** away from TV and radios to avoid electromagnetic interference.
- Do not place outdoors or in a damp environment.
- Do not operate in the immediate vicinity of water, such as near a bathtub, washbowl, bathroom, or swimming pool.
- Keep appliance away from direct sunlight and other heat sources (stove, heater, etc.).

PRODUCT ASSEMBLY

1

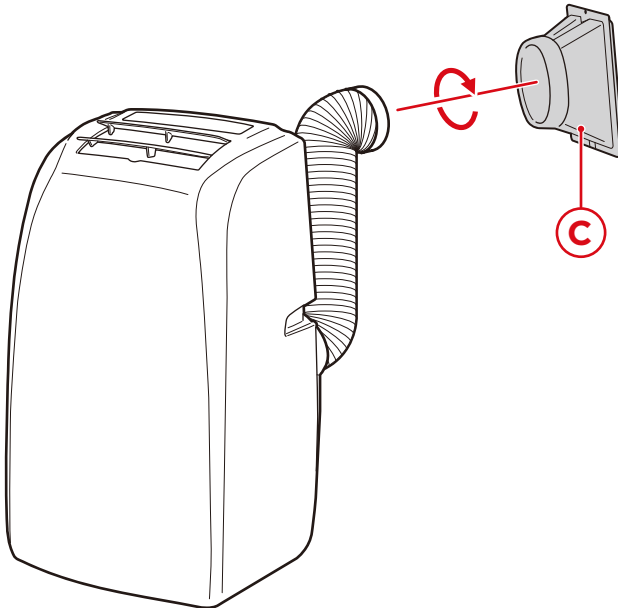
Pull apart part A exhaust hose so the folds are separated. Insert exhaust hose into the part B hose adaptor and rotate clockwise to lock it in place.

Insert the hose adaptor into the exhaust outlet and turn counterclockwise to lock it in place.



2

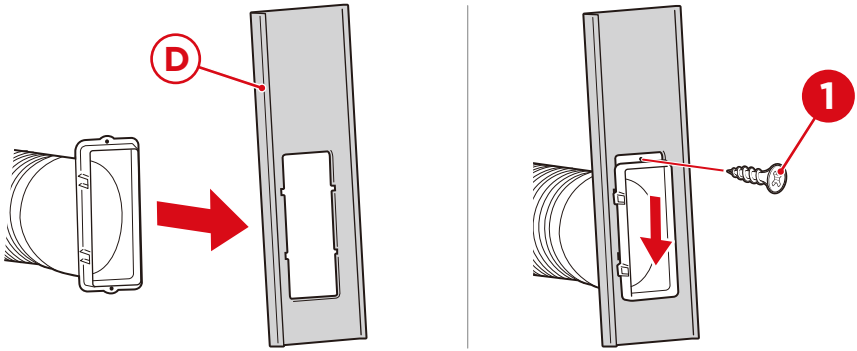
Insert the other end of the exhaust hose into the part C venting adaptor and rotate clockwise to lock it in place.



PRODUCT ASSEMBLY

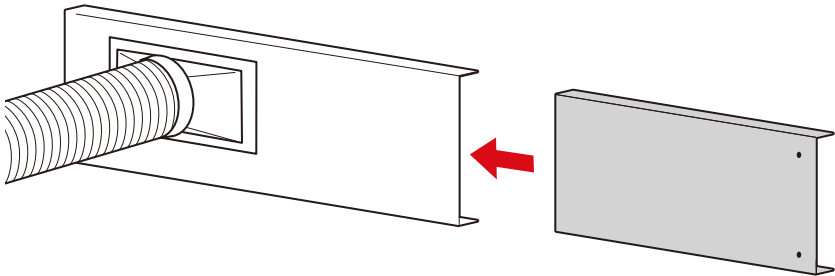
3

Line up the tabs on the venting adaptor with the hole in the part D window venting kit and slide it to lock it in place. Secure the venting adaptor (from the opposite side) with a part 1 screw.

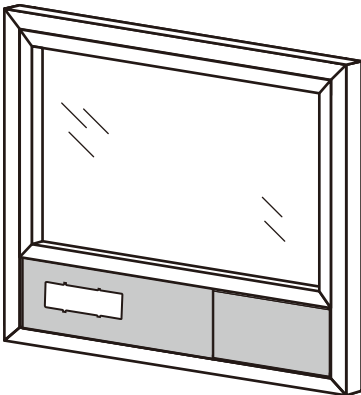


4

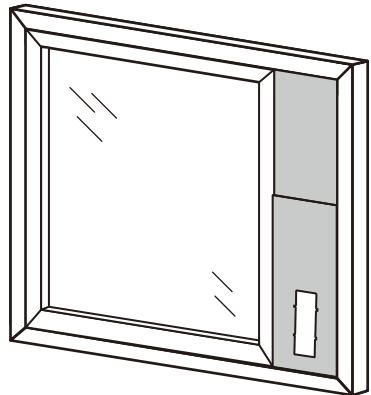
Slide the panels of the window venting kit together.



INSTALLATION OPTIONS



HORIZONTAL



VERTICAL

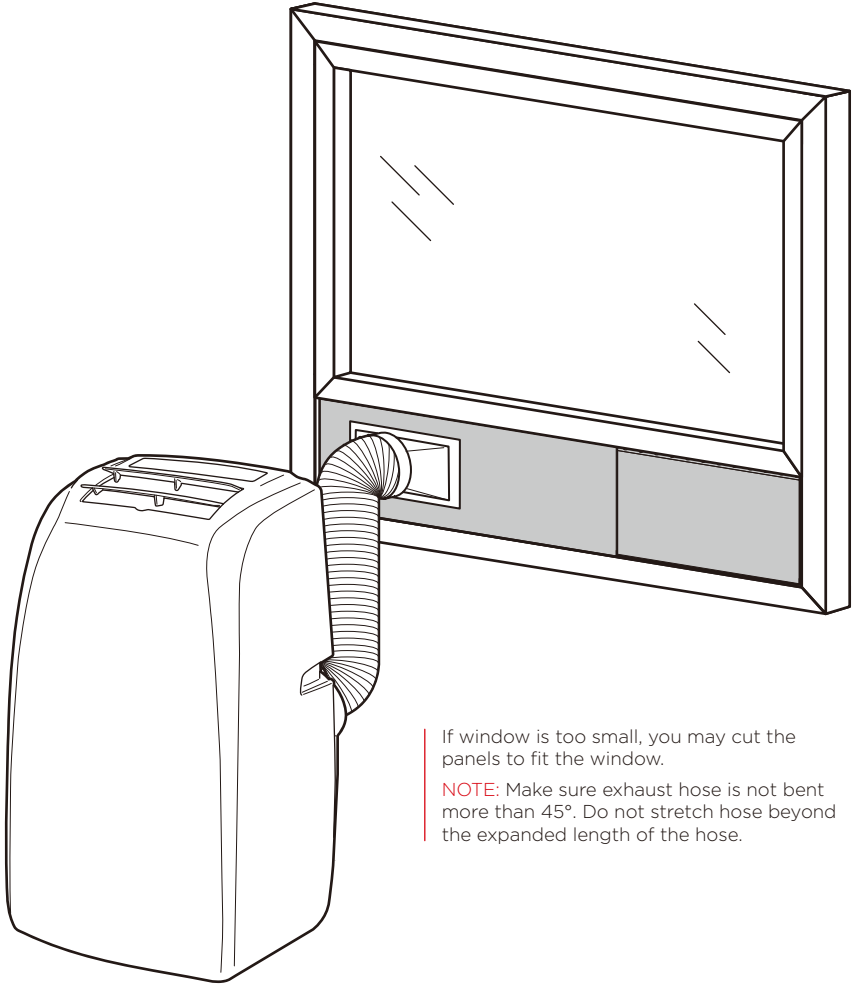
PRODUCT ASSEMBLY

5

If necessary, line the window opening with weather seal (not included).

Install the window venting kit horizontally or vertically. If necessary, secure venting kit with part 1 or part 2 screws.

NOTE: The exact screws depend on your window and installation.



If window is too small, you may cut the panels to fit the window.

NOTE: Make sure exhaust hose is not bent more than 45°. Do not stretch hose beyond the expanded length of the hose.

OPERATING INSTRUCTIONS

NOTE: It is recommended that you leave appliance off for at least 3 minutes before turning back on.

COOLING

- Do not use cooling mode if ambient temperature is higher than 95°F.
1. Press Mode button until cool indicator turns on.
 2. Adjust to desired room temperature (62°F-86°F).
 3. Press Speed button to select desired fan speed.

DEHUMIDIFYING

- Fan speed or temperature cannot be adjusted in dehumidifying mode.
1. Press Mode button until dehumidify indicator turns on.
 2. When the water full indicator turns on, drain water through the drain outlet.

FAN

- Temperature cannot be adjusted in fan mode.
 - Exhaust hose not required in fan mode.
1. Press Mode button until fan indicator turns on.
 2. Press Speed button to select desired fan speed.

TIMER

SET TIMER AUTO-START

1. With the air conditioner turned off, press the Timer button.
2. Set the desired timer start time within 1 to 24 hours from now. Unit will turn on when timer ends.

SET TIMER AUTO-STOP

1. With the air conditioner turned on, press the Timer button.
2. Set the desired timer end time within 1 to 24 hours from now. Unit will turn off when timer ends.

CANCEL TIMER

Press the Timer button to display remaining time, then press again to cancel.

DRAINING WATER

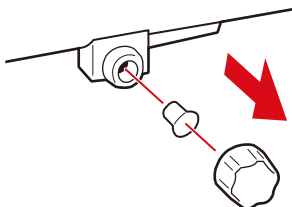
MANUAL: Recommended if using cooling mode because water is recycled in unit for more effective cooling. When the water full indicator turns on, the internal water tank must be drained.

1. Remove the cap and stopper from the lower drain outlet.
2. Tilt unit slightly backwards to drain water into an appropriate vessel or outside.

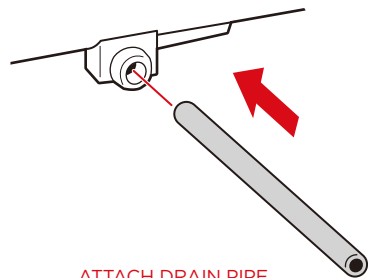
CONTINUOUS: Recommended if using dehumidifying mode.

Continuous draining requires a 13mm drain hose (not included).

1. Remove the cap and stopper from the lower or upper drain outlet.
 - Upper drain outlet is recommended for dehumidifying.
2. Attach drain hose to drain outlet.
 - Make sure drain hose is straight and in good condition.
3. Place other end of hose in appropriate draining location or outside.



REMOVE CAP AND STOPPER



ATTACH DRAIN PIPE

MOVING UNIT

- Always use handles to move unit.
- Drain water from tank before handing or moving.
- Keep unit upright during transportation or storage. Do not move unit on its side.
- Unit is heavy and 2 people are recommended during moving and installation.

CLEANING

- Turn off and unplug appliance before cleaning or storage. Allow unit to cool completely.
- It is very common for dust to gather in the inlet/outlet and cause overheating. Routinely clean the housing and openings with a slightly damp cloth, vacuum cleaner, or dusting brush.
- Do not clean with gasoline, benzene, thinner, or harsh cleaners.
- Clean air filter as necessary:
 - Slide out the removable air filters.
 - Carefully clean air filter with mild detergent and lukewarm water.
 - Allow air filter to completely dry and reinsert.

STORAGE

- Keep unit upright during transportation or storage. Do not move unit on its side.
- For prolonged storage, do the following:
 - Tilt unit slightly backwards to drain all water from tank, then replace cap and stopper
 - Run fan mode for half a day to dry the interior
 - Remove batteries from remote
 - Turn off and unplug appliance. Wrap cord and plug into universal plug
 - Clean air filters and remove exhaust hose
 - Cover appliance
 - Store in a cool, dry place away from direct sunlight and dirt

TROUBLESHOOTING

| PROBLEM | REASON | SOLUTION |
|----------------------------|--|---|
| Does not turn on | Overheat feature activated | Allow unit to cool for 3 minutes then try again |
| | Remote has low battery | Replace remote batteries |
| | Not plugged in | Make sure unit plugged in properly |
| Not working when turned on | Water full indicator on, water tank full | Drain water and restart unit |
| | Room temperature lower than set temperature (cooling mode) | Adjust temperature |
| Not cool enough | Doors/windows open | Close doors/windows |
| | Heat sources in room | Remove heat sources |
| | Unit in direct sunlight | Block direct sunlight |
| | Exhaust hose not attached or blocked | Connect or clean exhaust hose |
| | Temperature set too high | Adjust temperature |
| | Air inlet blocked | Clean air inlet |
| Dirty filters | Clean filters | |
| Excessive noise | Uneven ground | Set unit on a flat, stable surface |
| Remote not working | Too far from unit, remote not aimed correctly | Bring remote closer and point directly at unit |
| | Low battery | Replace battery |

ERROR CODES

| CODE | PROBLEM |
|------|---------------------------------|
| E1 | Coil temperature sensor failure |
| E2 | Room temperature sensor failure |
| E4 | Anti-freeze protection |

WARNINGS REGARDING BATTERIES

The following safety hazards may result in serious injury or death:

- Do not mix alkaline, standard (carbon zinc) and rechargeable (nickel hydride) batteries.
- Do not mix old and new batteries.
- Non-rechargeable batteries should not be charged.
- Rechargeable batteries should be charged under adult supervision only.
- Exhausted batteries should be removed.
- The supply terminals should not be short-circuited.
- Do not put batteries next to or in a heat source (fire, electronic heating device, etc.).
- Do not hit batteries against hard objects.
- Do not submerge batteries in water.
- Batteries should be inserted with the correct polarity.

FCC COMPLIANCE STATEMENT

This device complies with part 15 of the FCC rules. Operation is subject to the following two conditions: (1) This product may not cause harmful interference, and (2) this device must accept any interference received, including interference that may cause undesired operation.

NOTE: This equipment has been tested and found to comply with the limits for a Class B digital device, pursuant to part 15 of the FCC Rules. These limits are designed to provide reasonable protection against harmful interference in a residential installation.

This equipment generates, uses, and can radiate radio frequency energy and, if not installed and used in accordance with the instructions, may cause harmful interference to radio communications. However, there is no guarantee that interference will not occur in a particular installation.

If this equipment does cause harmful interference to radio or television reception, which can be determined by turning the equipment off and on, the user is encouraged to try to correct the interference by one or more of the following measures:

- Reorient or relocate the receiving antenna.
- Increase the separation between the equipment and receiver.
- Connect the equipment to an outlet on a circuit different from that to which the receiver is connected.
- Consult the dealer or an experienced radio/TV technician for help.

WARNING: Any changes or modifications to this unit not expressly approved by the party responsible for compliance could void the user's authority to operate the equipment.

Responsible party (contact for FCC matters only):

Quality Control Dept.
5642 Ontario Mills Parkway
Ontario, CA 91764



HELP CENTER



Question about your product? We're here to help. Visit us at:

help.bestchoiceproducts.com



Chat Support



Product Inquiry



Orders FAQ



Product Assembly



Returns & Refunds

PRODUCT WARRANTY INFORMATION

All items can be returned for any reason within 60 days of the receipt and will receive a full refund as long as the item is returned in its original product packaging and all accessories from its original shipment are included. All returned items will receive a full refund back to the original payment method. All returned items will not be charged a re-stocking fee.

All returned items require an RA (Return Authorization) number, which can only be provided by a Best Choice Products Customer Service Representative when the return request is submitted. Items received without an RA may not be accepted or may increase your return processing time. Once an item has been received by Best Choice Products, refunds or replacements will be processed within 5 business days.

All returns must be shipped back to the Best Choice Products Return Center at the customer's expense. If the reason for return is a result of an error by Best Choice Products then Best Choice Products will provide a pre-paid shipping label via email. Boxes for return shipping will not be provided by Best Choice Products, and is the customer's responsibility to either use the original shipping boxes or purchase new boxes.

Pictures may be required for some returns to ensure an item is not damaged prior to its return. Items returned are not considered undamaged until they are received by Best Choice Products and verified as such. All damages to items are the customer's responsibility until the item has been received by and acknowledge by Best Choice Products as undamaged.



WARNING

Manufacturer and seller expressly disclaim any and all liability for personal injury, property damage or loss, whether direct, indirect, or incidental, resulting from the incorrect attachment, improper use, inadequate maintenance, or neglect of this product.