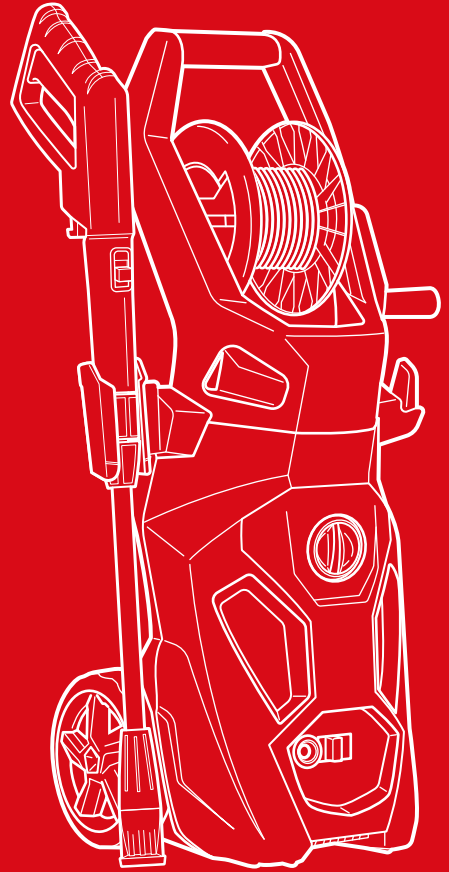




bestchoiceproducts



INSTRUCTION MANUAL

1800-Watt Electric
Pressure Washer

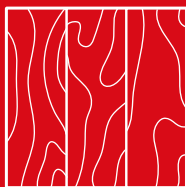


WARNING

**Before spraying on
intended surface, test spray
in an area free of people
and objects.**

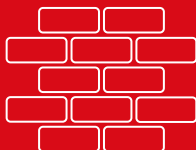
CLEANING TIPS

WOOD/VINYL DECK



- **PRESSURE:** Dispense soap on low, rinse on high
- **DISTANCE:** 6-9 inches away
- **SPRAY PATTERN:** Fan, left to right, top to bottom
- **NOTES:** Increase distance on softer woods or if using direct spray

CEMENT PATIO, STONE, BRICK



- **PRESSURE:** Dispense soap on low, rinse on high
- **DISTANCE:** 3-6 inches away
- **SPRAY PATTERN:** Fan, sweeping motion
- **NOTES:** Increase distance if using direct spray

CARS, BOATS, MOTORCYCLES



- **PRESSURE:** Dispense soap on low, rinse on high
- **DISTANCE:** 8 inches away
- **SPRAY PATTERN:** Fan, sweeping motion
- **NOTES:** Increase distance if using direct spray, wipe dry

GRILLS, EQUIPMENT, TOOLS



- **PRESSURE:** Dispense soap on low, rinse on high
- **DISTANCE:** 1-3 inches away
- **SPRAY PATTERN:** Fan
- **NOTES:** Increase distance if using direct spray

NOTICE

Please retain these instructions for future reference.

- Machine is not a toy. Keep out of reach of children.
- Do not allow children to operate this item.
- Machine is intended for household use.
- Use machine on a flat and stable surface.
- Do not leave machine unattended while it is running.
- Safety glasses, hearing protection, boots, and gloves should be worn when operating this machine.
- Wear a respirator or mask if there is a risk of inhaling harmful vapors.
- Before plugging machine into wall outlet, make sure the power switch is off. Switch off machine before unplugging.
- Turn off and unplug machine before assembly, disassembly, or maintenance.
- Ensure that your voltage is consistent with specifications.
- This machine is not intended for use by persons (including children) with reduced physical, sensory or mental capabilities, or lack of experience and knowledge, unless they have been given supervision or instruction concerning use of the machine by a person responsible for their safety.
- If any parts are missing, broken, damaged, or worn, stop using this product until repairs are made and/or factory replacement parts are installed.
- Do not use this item in a way inconsistent with the manufacturer's instructions as this could void the product warranty.

WARNING

- Immediately turn off in the event of an accident or if machine malfunctions.
- Only use your hand to squeeze the trigger; do not jam the trigger in the ON position.
- Do not bend, twist, or fold the high pressure hose.
- Do not operate machine if under the influence of alcohol or drugs.
- Do not use in rain or a damp location.
- Do not direct high pressure jet at other people, animals, electrical equipment, or the machine itself.
- Do not use machine in the vicinity of other people unless they are wearing protective clothing.
- Do not direct high pressure jet at yourself or others to clean clothing/footwear.
- Do not direct water at fire or hot equipment; hot water or steam is dangerous if reflected back.
- Do not use pressure washer to draw water contaminated with solvents (e.g. paint thinners, gasoline, oil, etc.).
- Do not use pressure washer to draw hot water, non-water, or flammable liquids.
- Do not allow dirt or debris to be drawn into the machine. Make sure to use a clean water source.
- Do not operate machine without water.
- Position machine so exhaust emissions are not in the vicinity of an air intake.
- Do not immerse in water or allow electrical components to touch water.
- Do not handle power cord/plug or touch wall outlet with wet hands.
- Do not unplug the machine by pulling on the power cord. Always grasp the plug firmly and pull straight out from the outlet.
- Use with an extension cord is not recommended. If using extension cord, make sure plug and cord are watertight and designed for outdoor use.
- Do not use if the plug or any components are damaged.
- Do not use any accessory or fitting other than original accessories and fittings.
- Keep machine on a flat surface during moving or installation.
- Always use handle to move or transport machine. Do not move machine by pulling on the hose or power cord.

SPECIFICATIONS

Rated Pressure	1450 psi
Max Pressure	2030 psi
Max Inlet Pressure	174 psi
Rated Flow	6.0 l/min
Max. Flow	7.0 l/min
Rate Voltage	120V
Rated Frequency	50-60Hz
Rated Power Input	1800 W
Sound Power Level	87 dB
Max Water Temperature	104°F

TOOLS REQUIRED



PHILLIPS
SCREWDRIVER



1 PERSON
ASSEMBLY



APPROXIMATELY
10 MIN.
ASSEMBLY

HARDWARE

1

M4 x 15mm
SCREW



8 PCS

2

PRESSURE
HOSE CLIP



1 PC

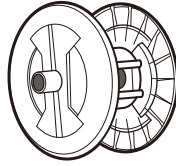
PARTS

A TOP FRAME/HANDLE



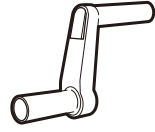
1 PC

B HOSE REEL



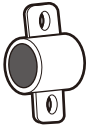
1 PC

C HOSE REEL HANDLE



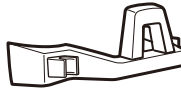
1 PC

D HOSE SUPPORT



2 PCS

E HOSE HANGER



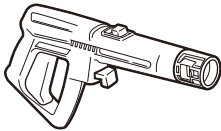
1 PC

F SPRAY GUN HOLDER



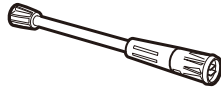
1 PC

G SPRAY GUN



1 PC

H LANCE



1 PC

I CLEANING PIN



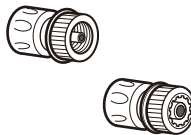
1 PC

J HIGH PRESSURE HOSE



1 PC

K QUICK CONNECTORS



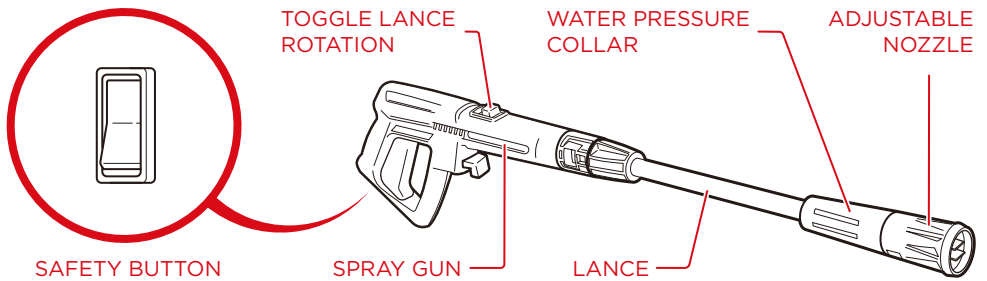
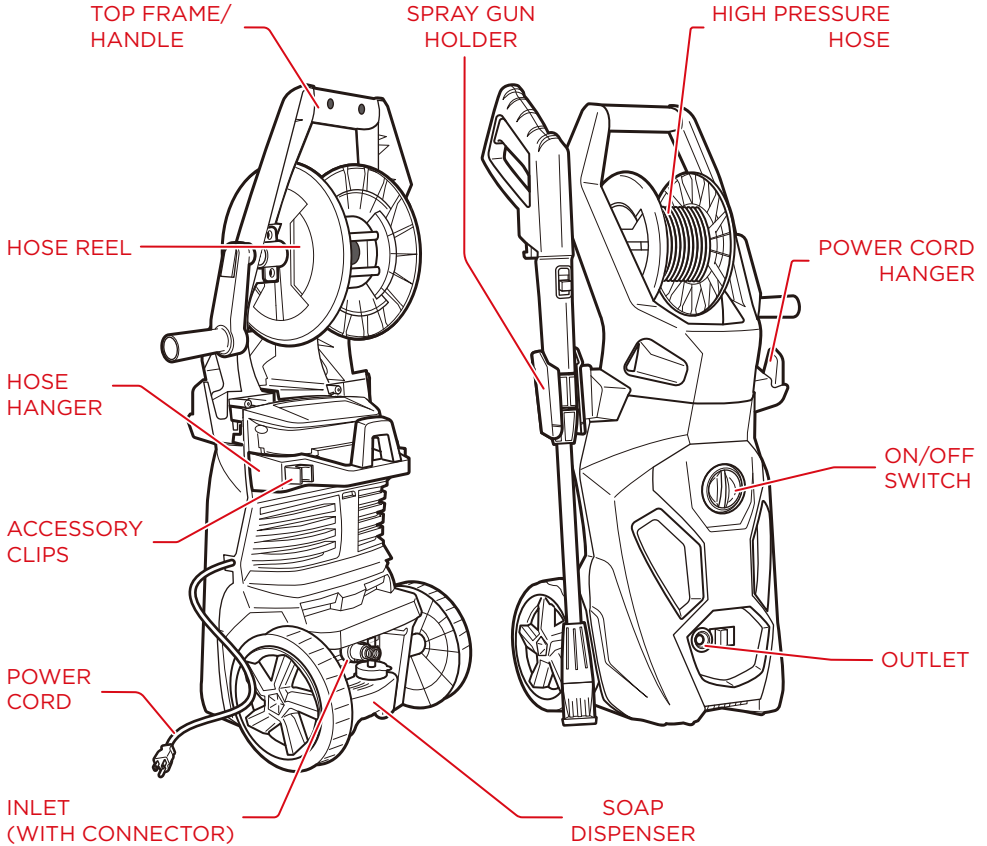
2 TYPES

L INLET CONNECTOR



1 PC

DIAGRAM

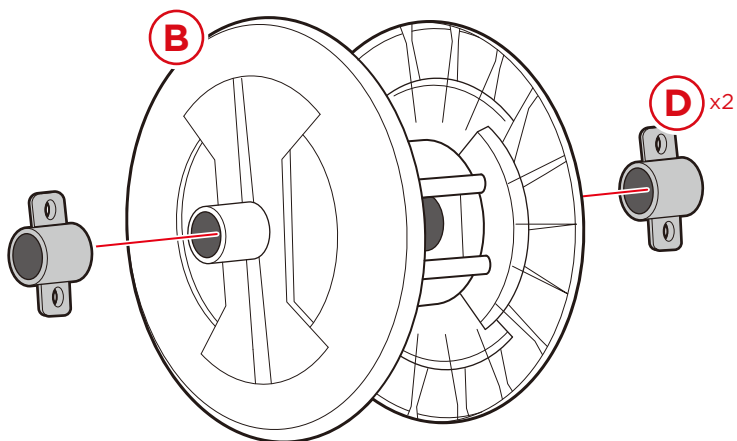


- **TOGGLE LANCE ROTATION:** Rotate lance to adjust cleaning angle
- **WATER PRESSURE COLLAR:** Rotate to adjust water pressure low/high

PRODUCT ASSEMBLY

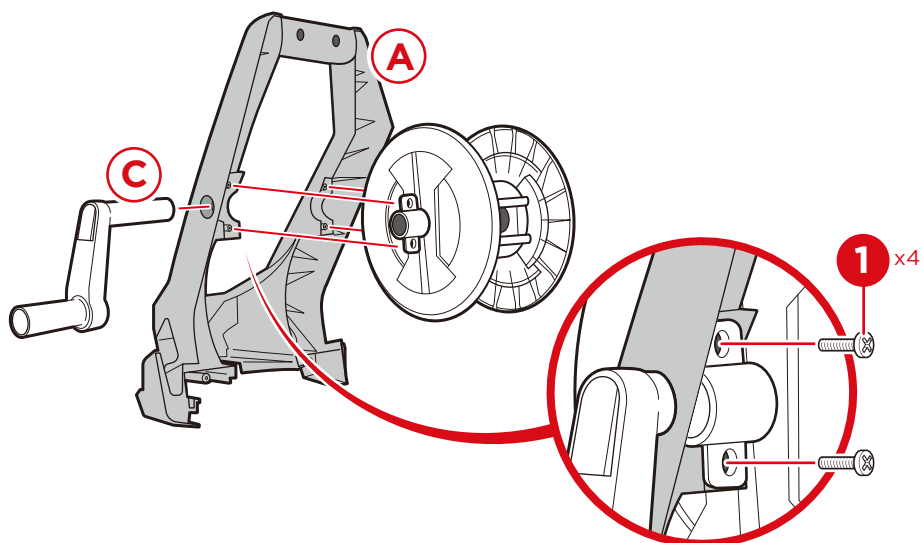
1

Insert two part D hose supports into the part B hose reel.



2

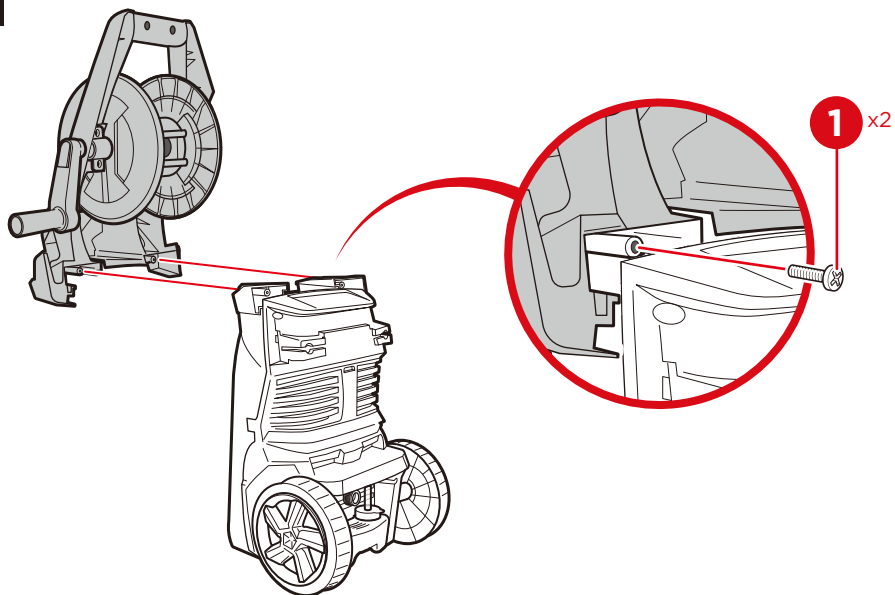
Insert the part C hose reel handle through the part A top frame and into a hose support. Attach the hose supports to the top frame with four part 1 screws.



PRODUCT ASSEMBLY

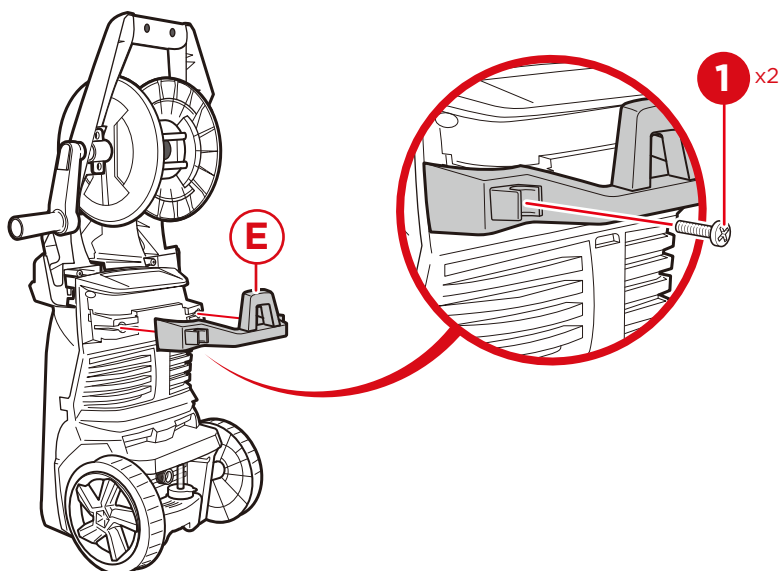
3

Attach the top frame with two part 1 screws.



4

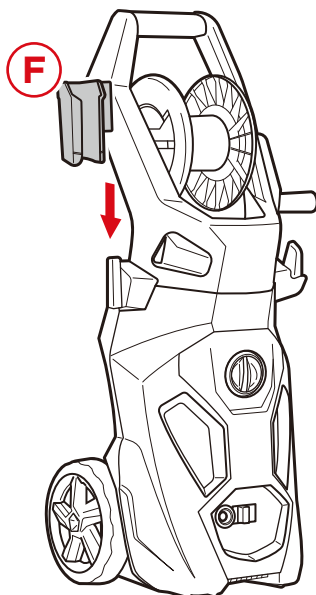
Attach the part E hose hanger with two part 1 screws.



PRODUCT ASSEMBLY

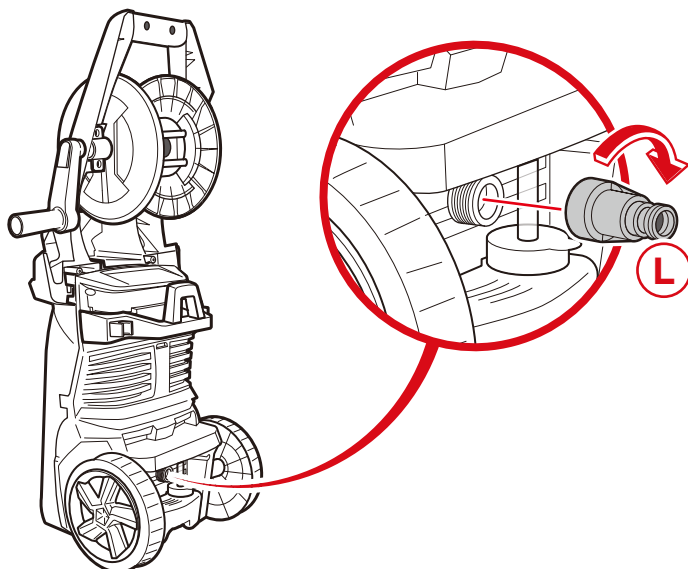
5

Slide the part F spray gun holder onto the machine.



6

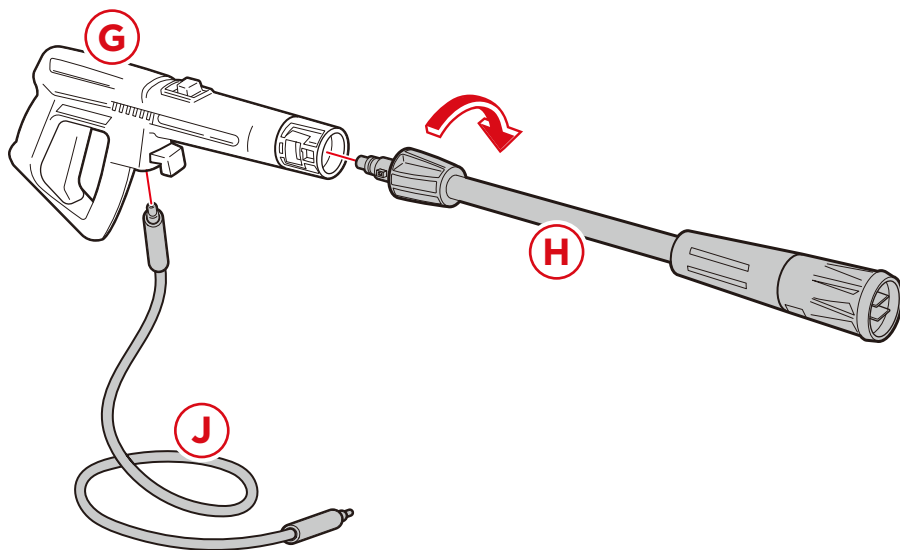
Screw the part L inlet connector onto the inlet.



PRODUCT ASSEMBLY

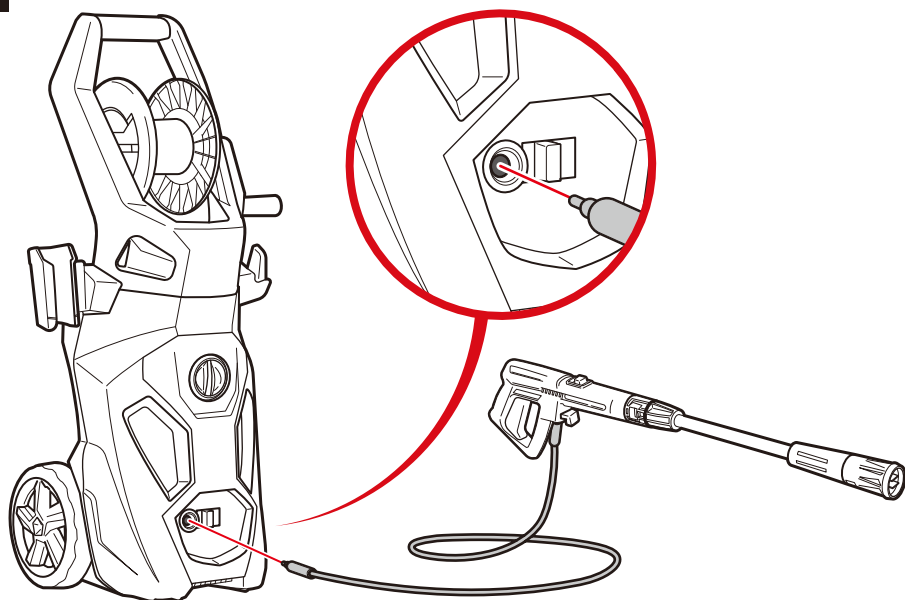
7

Insert the part H lance into the part G spray gun and turn it clockwise to lock it in place.
Insert the part J high pressure hose into the spray gun.



8

Insert the other end of the high pressure hose into the outlet.



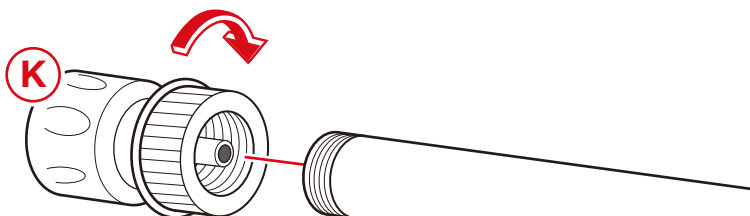
PRODUCT ASSEMBLY

9

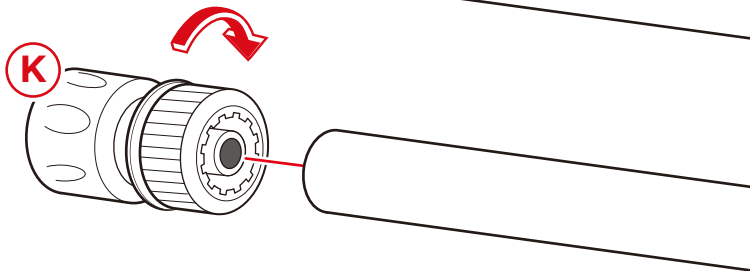
Attach a part K quick connector onto a water supply hose (not included).

NOTE: There are two types of quick connectors (threaded and non-threaded); use the appropriate connector.

THREADED



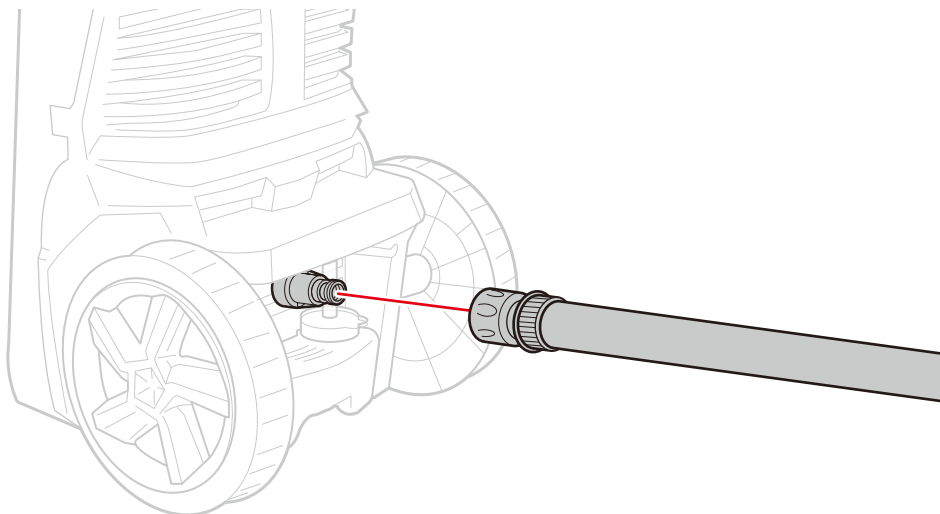
NON-THREADED



10

Insert the quick connector on the hose into the inlet connector and attach the other side to a water supply tap.

NOTE: To remove, pull down locking sleeve on the water supply hose and pull from the inlet connector.



USAGE TIPS

- Operating area must be clear of all persons.
- Work area should have adequate drainage to reduce the risk of falling due to slippery surfaces.
- Keep sturdy footing and balance at all times; do not overreach or stand on an unstable surface.
- Always hold spray gun and lance with two hands when operating.
- Do not connect machine to a portable water pipe; only connect to a running water supply.
- Machine is not intended to connect to a potable water main.
- Hold nozzle tightly during operation as there may be sudden kickback force.
- Only use specific cleaning agents designed for use with a pressure washer.
- Water that flows through backflow preventers is non-potable.
- Dirt or debris in feed water will damage the machine.
- Use a cold, clean water supply. Do not use with sea water.
- Water supply hose must be at least 3/4-inch in diameter.
- Flow rate of water supply must not fall below 6 liters per minute.
- Temperature of water supply must not exceed 104°F.
- Make sure hose connections are tight and secure before operation.
- Do not remove high pressure hose if the machine is still pressurized.

OPERATING INSTRUCTIONS

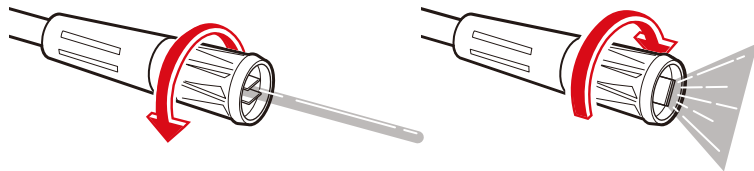
Before using pressure washer, remove potential hazards and objects that could be tripped over. Ensure all doors and windows are tightly closed.

1. Plug pressure washer into a wall outlet.
2. Fully open the water supply tap.
3. Release the safety on the spray gun.
4. Lightly press and hold the trigger to expel air and water. Hold trigger until water flows from the gun (indicating the pump is full).
5. Switch the machine on. Press the trigger to spray water.

NOTE: Be aware of sudden kickback force when spraying water.

ADJUSTING SPRAY PATTERN

- Twist the adjustable nozzle to adjust from a jet spray to a fan spray pattern.



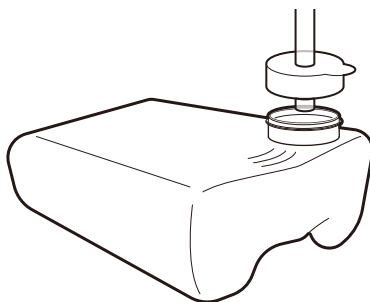
- It is recommended that you begin with a fan spray when cleaning wood decks, siding, vehicles, etc.
- Begin spraying at a 20° spray angle a minimum of 36 inches away to avoid damaging the surface.
- **DO NOT** adjust nozzle/spray angle while spraying.

SOAP DISPENSER

To remove dirt more effectively, add detergent to the soap dispenser. Only use specific cleaning agents designed for use with a pressure washer.

WARNING: Never use products with bleach or chlorine or any other corrosive materials, including liquids containing solvents (i.e. gas, oils etc.), tri-sodium phosphate products, ammonia, or acid-based cleaners.

1. Lift the plug/straw and remove the soap dispenser from the machine.
2. Add detergent to the soap dispenser.
 - Do not add water; the detergent will mix with water when spraying at low pressure.
3. Replace the soap dispenser and reinsert the plug/straw.
4. Turn water pressure collar to low pressure and press the trigger to spray a mixture of soap and water.
5. Turn water pressure collar to high pressure to spray water and rinse the soap mixture.



SWITCHING OFF

1. When finished, turn off and unplug the machine.
2. Close the water supply tap.
3. Press trigger to release trapped pressure/water.
4. Remove the water supply hose and high pressure hose.
5. Press trigger to drain residual water. Engage the safety lock on the spray gun.

HOSE REEL

If machine is not in use, wrap the high pressure hose in the hose reel.

1. Insert one end of the high pressure into the slot in the hose reel.
2. Rotate the hose reel handle until the hose is completely wrapped.

SAFETY FEATURES

- **SAFETY LOCK:** Spray gun has a safety lock under the grip. Keep safety lock engaged when machine is not in use.
- **AUTOMATIC ON/OFF:** Motor turns on only when the trigger is pressed and the power switch is in the ON position. If trigger is released, the motor will stop. To completely turn off, turn power switch to OFF.
- **OVERLOAD PROTECTION:** If pressure is too high, the overload protection function will activate and the machine will automatically stop operation.

CLEANING AND MAINTENANCE

- Turn off and unplug the machine before cleaning and maintenance.
- Do the following after every use:
 - Wash water hose, high pressure hose, lance, nozzle, and accessories
 - Clean connectors of dust and sand
 - Rinse soap dispenser
- Dirt in feed water will damage the machine.

CLEANING AND MAINTENANCE

- If nozzle clogs, immediately stop machine and clean nozzle.
- If necessary, clean nozzle with provided cleaning pin. Use pin to remove obstructions and flush water through the nozzle.
- Wipe down exterior of machine. Clear vents of obstructions.
- Regularly grease couplings and collars.

STORAGE

- Do the following to completely drain machine of water prior to storage:
 - Turn off machine and detach water supply hose.
 - Turn on machine and press the trigger to expel all remaining water from the machine and spray gun. Only leave machine on for 2 to 4 seconds.
 - Turn off machine and unplug.
- Wind up hoses and cable on the machine. Place spray gun, lance, and accessories in their designated places.
- Store in a cool, dry place away from direct sunlight and dirt. Do not store in an especially cold or frozen room (below 32°F).

TROUBLESHOOTING

PROBLEM	REASON	SOLUTION
Machine not working	Not plugged in	Plug in machine
	Defective extension cord	Try without extension cord
Does not reach adequate water pressure	Inadequate water supply	Make sure water supply meets requirements, fully open water tap
	Inlet blocked	Clean inlet
	Pump intaking air, not water	Make sure hoses and connections are tight
	Hose diameter too small	Use min. 3/4-inch hose
	Hose kinked	Straighten hose
Fluctuating water pressure	Pump intaking air, not water	Make sure hoses and connections are tight
Machine stops	Incorrect voltage	Make sure voltage is correct
	Nozzle blocked	Clean nozzle
Machine pulsating	Air in inlet hose	Spray water until reaches normal water pressure
	Inadequate water supply	Make sure water supply meets requirements, fully open water tap
	Inlet or nozzle blocked	Clean inlet or nozzle
	Hose kinked	Straighten hose
Machine starts but does not spray water	Pump/hoses or accessories frozen	Thaw pump/hoses or accessories
	No water supply	Connect water supply
	Nozzle blocked	Clean nozzle



HELP CENTER



Question about your product? We're here to help. Visit us at:

help.bestchoiceproducts.com



Chat Support



Product Inquiry



Orders FAQ



Product Assembly



Returns & Refunds

PRODUCT WARRANTY INFORMATION

All items can be returned for any reason within 60 days of the receipt and will receive a full refund as long as the item is returned in its original product packaging and all accessories from its original shipment are included. All returned items will receive a full refund back to the original payment method. All returned items will not be charged a re-stocking fee.

All returned items require an RA (Return Authorization) number, which can only be provided by a Best Choice Products Customer Service Representative when the return request is submitted. Items received without an RA may not be accepted or may increase your return processing time. Once an item has been received by Best Choice Products, refunds or replacements will be processed within 5 business days.

All returns must be shipped back to the Best Choice Products Return Center at the customer's expense. If the reason for return is a result of an error by Best Choice Products then Best Choice Products will provide a pre-paid shipping label via email. Boxes for return shipping will not be provided by Best Choice Products, and is the customer's responsibility to either use the original shipping boxes or purchase new boxes.

Pictures may be required for some returns to ensure an item is not damaged prior to its return. Items returned are not considered undamaged until they are received by Best Choice Products and verified as such. All damages to items are the customer's responsibility until the item has been received by and acknowledge by Best Choice Products as undamaged.



WARNING

Manufacturer and seller expressly disclaim any and all liability for personal injury, property damage or loss, whether direct, indirect, or incidental, resulting from the incorrect attachment, improper use, inadequate maintenance, or neglect of this product.