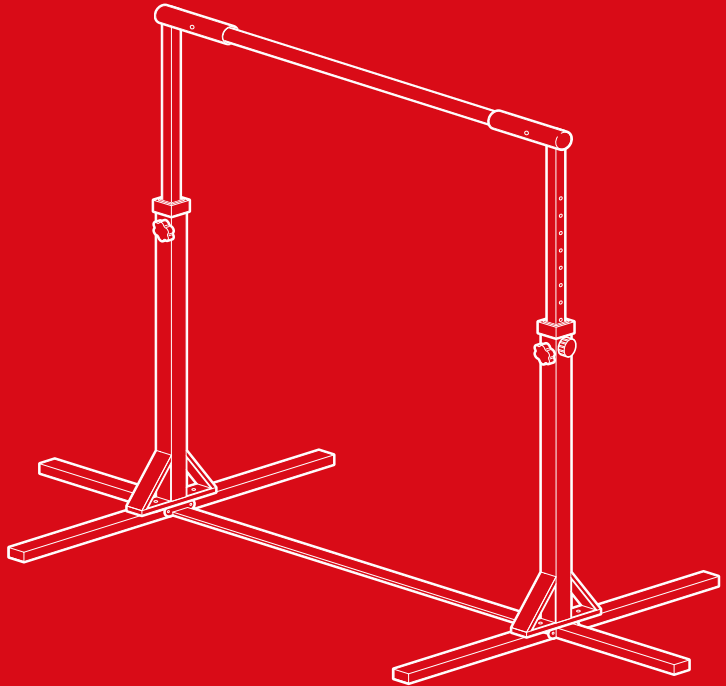




bestchoiceproducts



INSTRUCTION MANUAL

Kids Adjustable Gymnastics
Horizontal Bar



bestchoiceproducts

Thank you for choosing us! Since 2002, Best Choice Products has been bringing customers high-quality products at the absolute lowest price. With everything ranging from instruments and toys to furniture and outdoor, we've got your everyday living essentials covered. We're centered around a customer-first philosophy - with free shipping, exceptional customer service, and a catalog sourced with you in mind.

NOTICE

- Please do not exceed the weight limitations of this item.
- Firmly secure all bolts, screws and knobs before use.
- Reconfirm that all bolts, screws, and knobs are secure every 90 days.
- Fasten screws loosely during initial assembly. Do not firmly tighten the screws until the item is completely assembled.
- Be aware that some parts are heavy and have sharp edges.
- If any parts are missing, broken, damaged, or worn, stop using this product until repairs are made and/or factory replacement parts are installed.
- Do not use this item in a way inconsistent with the manufacturer's instructions as this could void the product warranty.

WARNING

- Before every use, reconfirm that all bolts, screws, and knobs are secure and the equipment is stable.
- Make sure horizontal bar is not loose or wobbly.
- Long hair should be tied back to prevent injuries.
- It is recommended that you wear gymnastics clothing and shoes while using equipment.
- Avoid wearing only socks or jewelry when using equipment.
- Replace all warning or instruction labels that have been marred or removed.
- Equipment may only be used by those who are qualified and trained to use a horizontal bar.
- Do not use equipment without proper instruction and supervision.
- Equipment must be used with mats, spotting equipment, and qualified spotters.
- Equipment must only be used with proper matting as recommended by the Federation of International Gymnasts (F.I.G.). If in doubt concerning which mats to use, do not use equipment.
- Do not use or store this item in a wet or humid environment.
- Do not use or store this item in the proximity of open flame or flammable/combustible chemicals.

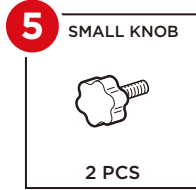
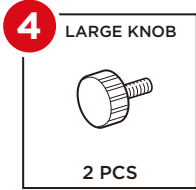
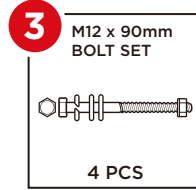
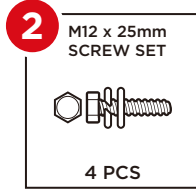
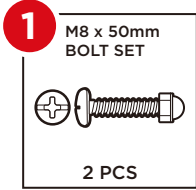
TOOLS REQUIRED



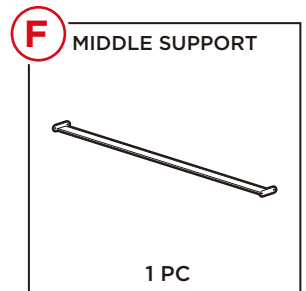
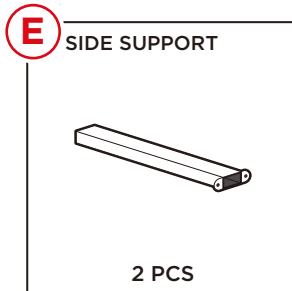
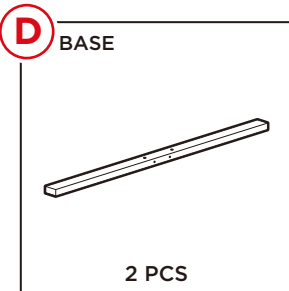
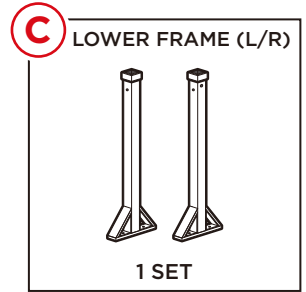
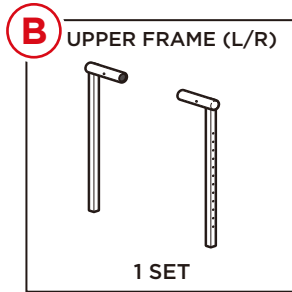
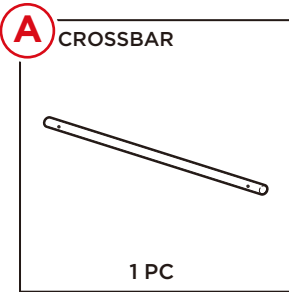
330 LBS
CAPACITY



HARDWARE



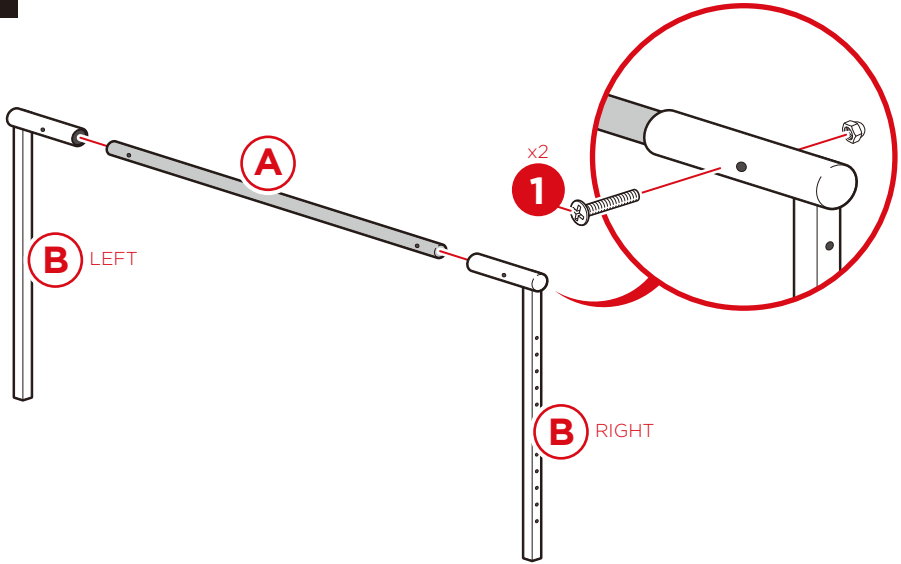
PARTS



PRODUCT ASSEMBLY

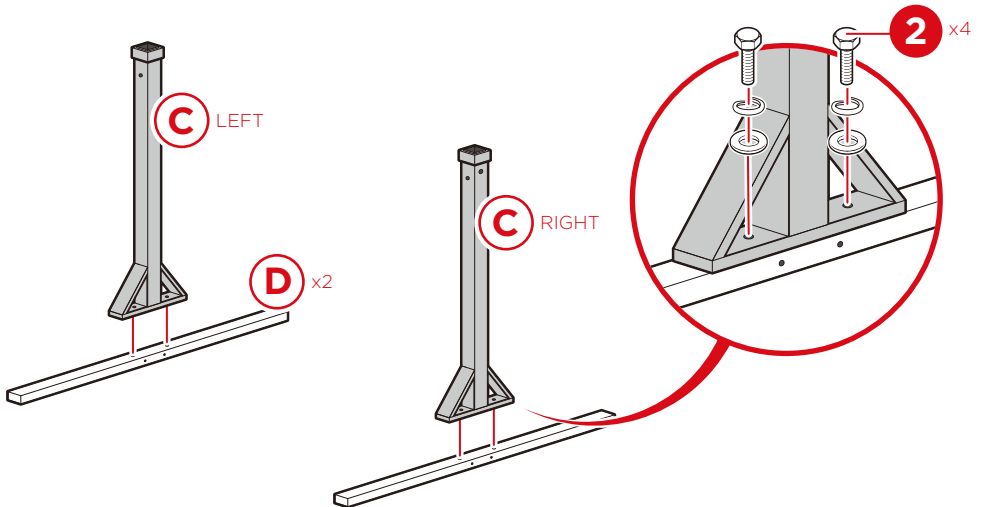
1

Attach the part B upper frame set to part A crossbar with two part 1 bolt sets.



2

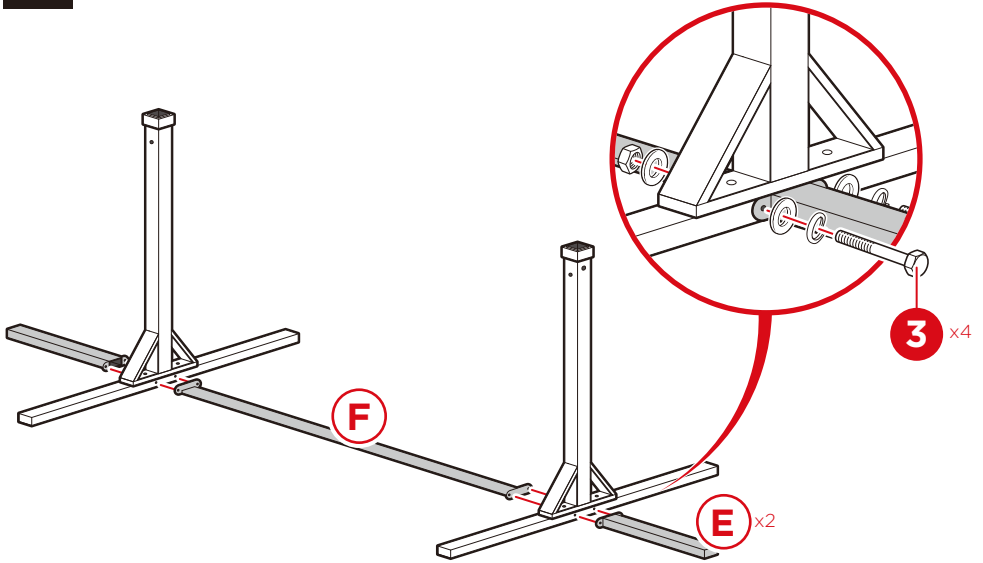
Attach the part C lower frame set to two part D bases with four part 2 screw sets.



PRODUCT ASSEMBLY

3

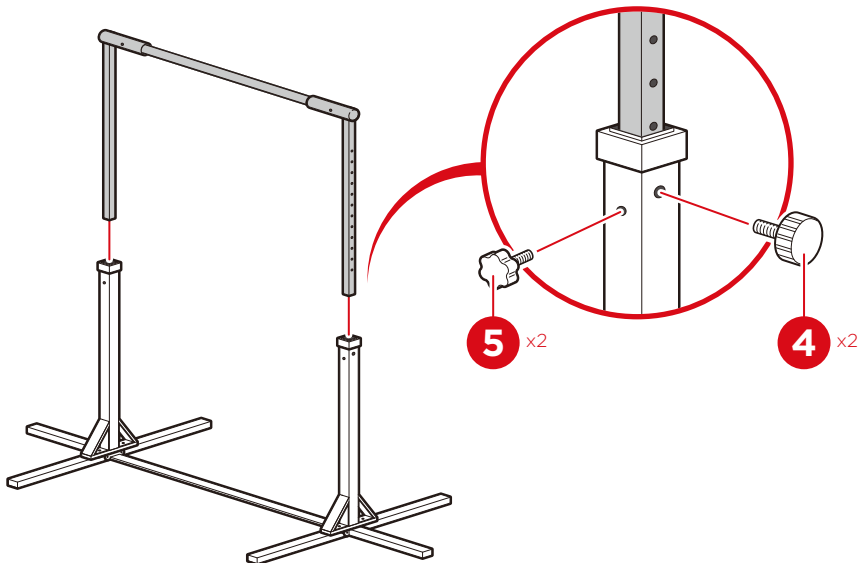
Attach two part E side supports and part F middle support with four part 3 bolt sets, two bolt sets per base.



4

Slide the upper frame into the lower frame and secure with two part 4 large knobs and two part 5 small knobs.

Use the large knobs to adjust the height of the horizontal bar.



Earn points while you shop. Join today!

bestchoiceproducts
rewards

Join | Earn | Redeem

Give your friends 15% off their first order! For each successful referral you'll receive 100 points.

bestchoiceproducts.com



HELP CENTER



Question about your product? We're here to help. Visit us at:

help.bestchoiceproducts.com



Chat Support



Product Inquiry



Orders FAQ



Product Assembly



Returns & Refunds

PRODUCT WARRANTY INFORMATION

All items can be returned for any reason within 60 days of the receipt and will receive a full refund as long as the item is returned in its original product packaging and all accessories from its original shipment are included. All returned items will receive a full refund back to the original payment method. All returned items will not be charged a re-stocking fee.

All returned items require an RA (Return Authorization) number, which can only be provided by a Best Choice Products Customer Service Representative when the return request is submitted. Items received without an RA may not be accepted or may increase your return processing time. Once an item has been received by Best Choice Products, refunds or replacements will be processed within 5 business days.

All returns must be shipped back to the Best Choice Products Return Center at the customer's expense. If the reason for return is a result of an error by Best Choice Products then Best Choice Products will provide a pre-paid shipping label via email. Boxes for return shipping will not be provided by Best Choice Products, and is the customer's responsibility to either use the original shipping boxes or purchase new boxes.

Pictures may be required for some returns to ensure an item is not damaged prior to its return. Items returned are not considered undamaged until they are received by Best Choice Products and verified as such. All damages to items are the customer's responsibility until the item has been received by and acknowledge by Best Choice Products as undamaged.



WARNING

Manufacturer and seller expressly disclaim any and all liability for personal injury, property damage or loss, whether direct, indirect, or incidental, resulting from the incorrect attachment, improper use, inadequate maintenance, or neglect of this product.