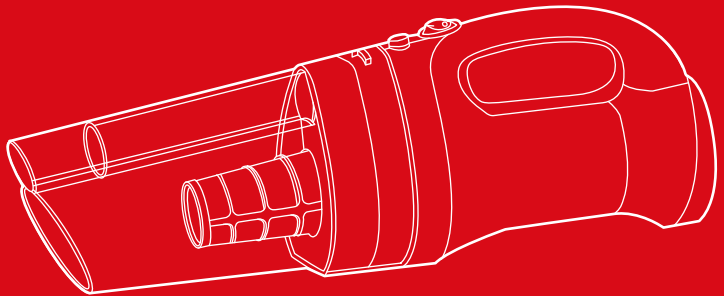




bestchoiceproducts



INSTRUCTION MANUAL

Portable 12V Car Vacuum



bestchoiceproducts

Thank you for choosing us! Since 2002, Best Choice Products has been bringing customers high-quality products at the absolute lowest price. With everything ranging from instruments and toys to furniture and outdoor, we've got your everyday living essentials covered. We're centered around a customer-first philosophy - with free shipping, exceptional customer service, and a catalog sourced with you in mind.

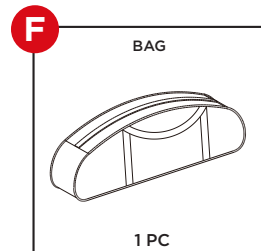
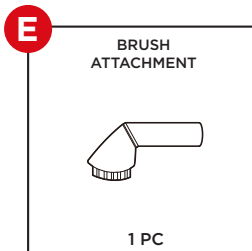
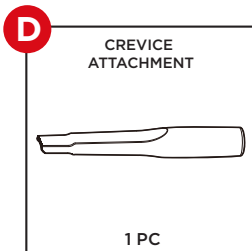
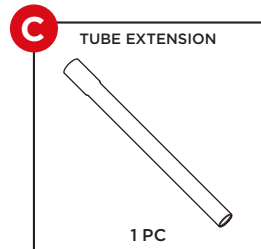
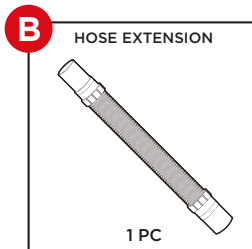
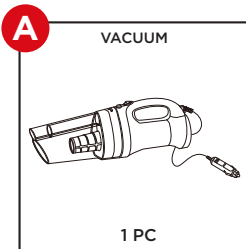
! NOTICE Please retain these instructions for future reference.

- Close supervision is required when using this product near children.
- Never leave the appliance within reach of children.
- This appliance is intended for household use only.
- This appliance is not intended for use by persons (including children) with reduced physical, sensory or mental capabilities, or lack of experience and knowledge, unless they have been given supervision or instruction concerning use of the appliance by a person responsible for their safety.
- If any parts are missing, broken, damaged, or worn, stop using this item until repairs are made and/or factory replacement parts are installed.
- Do not use this item in a way inconsistent with the manufacturer's instructions as this could void the product warranty.

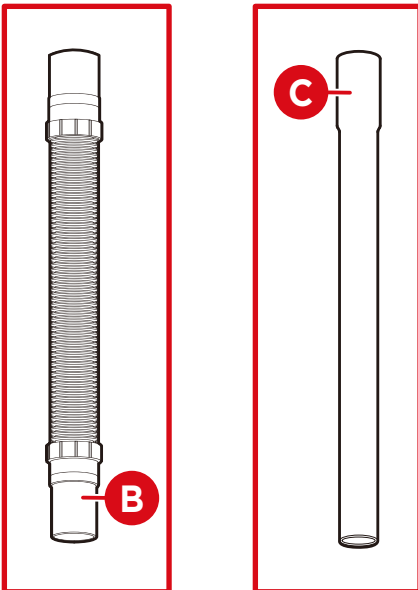
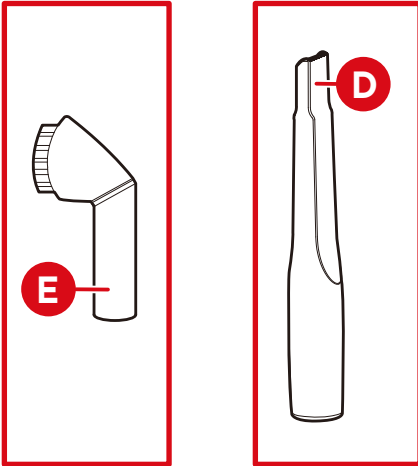
! WARNING

- Do not immerse the appliance in water or any other liquids.
- Do not use this appliance outdoors or on wet surfaces.
- Do not use this appliance with wet hands.
- The dust filter must be cleaned periodically.
- Do not use to pick up hard or sharp objects such as glass, nails, etc.
- Do not use to pick up hot coals, cigarette ends, or any hot, smoking, or burning objects.
- Do not use to pick up water or any liquids.
- Do not use to pick up flammable or combustible liquids such as gasoline, or use in areas where they may be present.
- Do not pull the wire or use it to carry heavy objects. Do not trap the cord or pull it around sharp edges or corners. Keep the cord away from heat sources.
- Keep hair, loose clothing, fingers and all body parts away from moving parts and air intakes.

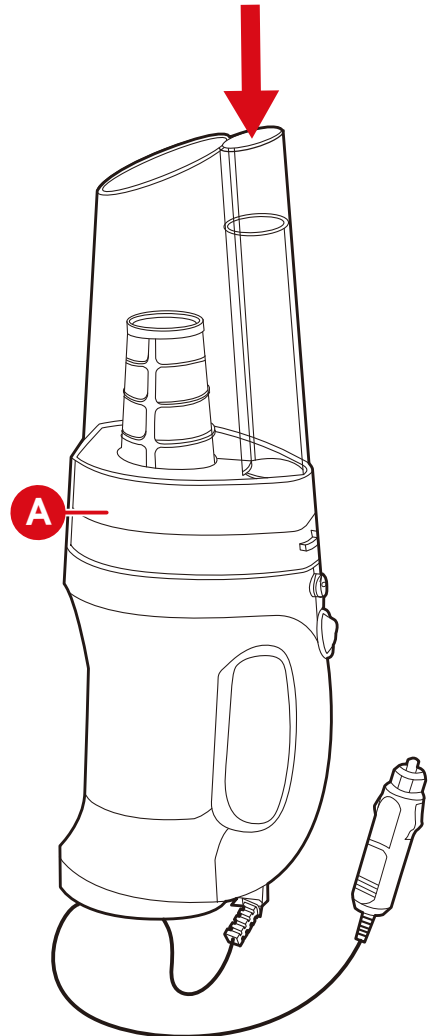
PARTS



PRODUCT ASSEMBLY



- Customize the vacuum for your cleaning needs; insert either the hose or tube extension, and then the crevice or brush attachment.
- Insert the power cord into your car's DC 12-volt socket.
- Press the power switch to turn the vacuum on/off.

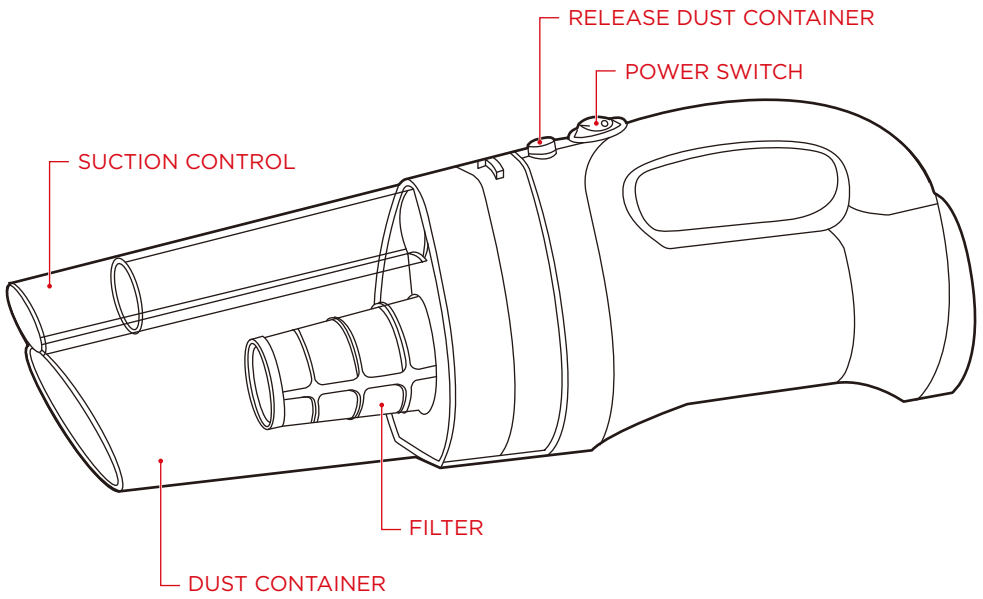


DIAGRAM

Voltage: DC 12V

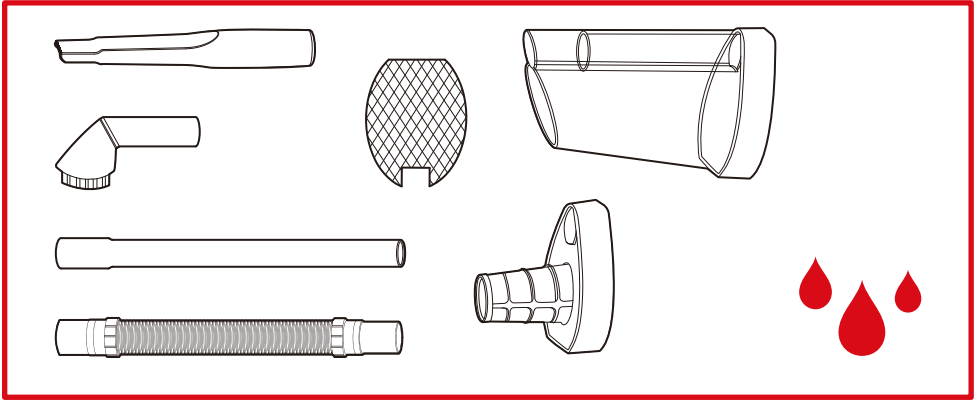
Power: 100W

Max Vacuum Suction: 4.5 kPa

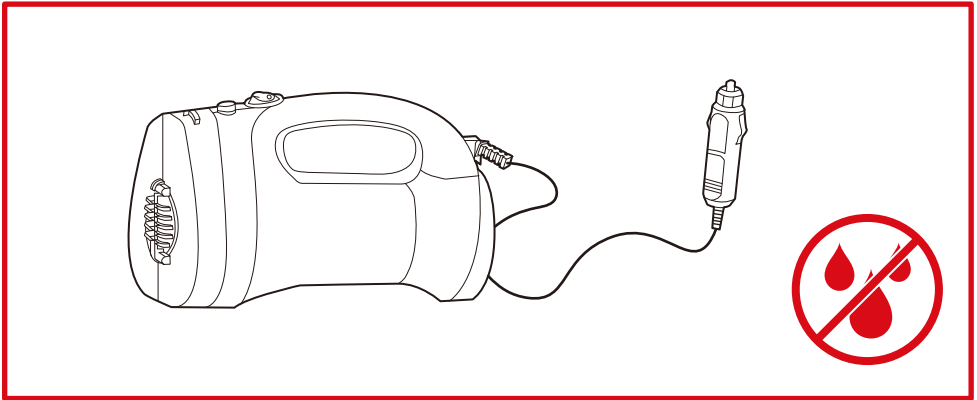


CLEANING

- Make sure the power switch is turned off and the plug is removed from the outlet.
- Release the dust container from the vacuum and remove the filter. Dump out the contents of the dust container into a trashcan.
- Gently tap the filter to clean it or use a toothbrush to remove the dirt. If needed, rinse the filter with water.
- Rinse the dust container and all attachments with water.
- Make sure that all parts are thoroughly dry before use.



NOTE: Do NOT wash the body/electrical components with water or any liquid. If necessary, wipe down the body with a cloth.



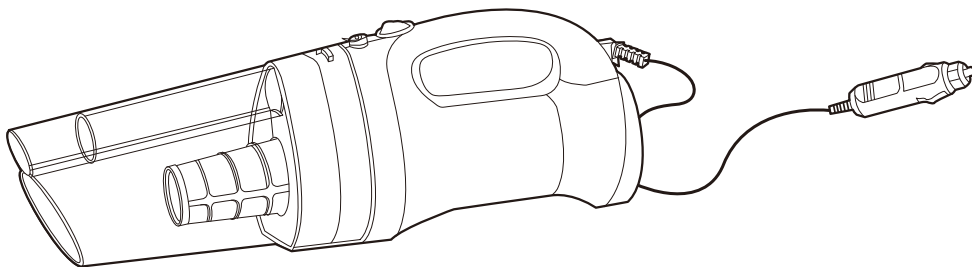


bestchoiceproducts

Check out more great products:
bestchoiceproducts.com

ASSEMBLY IS COMPLETE!

bcp



PRODUCT WARRANTY INFORMATION

All items can be returned for any reason within 60 days of the receipt and will receive a full refund as long as the item is returned in its original product packaging and all accessories from its original shipment are included. All returned items will receive a full refund back to the original payment method. All returned items will not be charged a re-stocking fee.

All returned items require an RA (Return Authorization) number, which can only be provided by a Best Choice Products Customer Service Representative when the return request is submitted. Items received without an RA may not be accepted or may increase your return processing time. Once an item has been received by Best Choice Products, refunds or replacements will be processed within 5 business days.

All returns must be shipped back to the Best Choice Products Return Center at the customer's expense. If the reason for return is a result of an error by Best Choice Products then Best Choice Products will provide a pre-paid shipping label via email. Boxes for return shipping will not be provided by Best Choice Products, and is the customer's responsibility to either use the original shipping boxes or purchase new boxes.

Pictures may be required for some returns to ensure an item is not damaged prior to its return. Items returned are not considered undamaged until they are received by Best Choice Products and verified as such. All damages to items are the customer's responsibility until the item has been received by and acknowledge by Best Choice Products as undamaged.

CONTACT US; WE'RE HERE 7 DAYS A WEEK TO HELP YOU!



bestchoiceproducts.com



customerservice@bestchoiceproducts.com



844.948.8400



[LEARN MORE!](#)

WARNING

Manufacturer and seller expressly disclaim any and all liability for personal injury, property damage or loss, whether direct, indirect, or incidental, resulting from the incorrect attachment, improper use, inadequate maintenance, or neglect of this product.