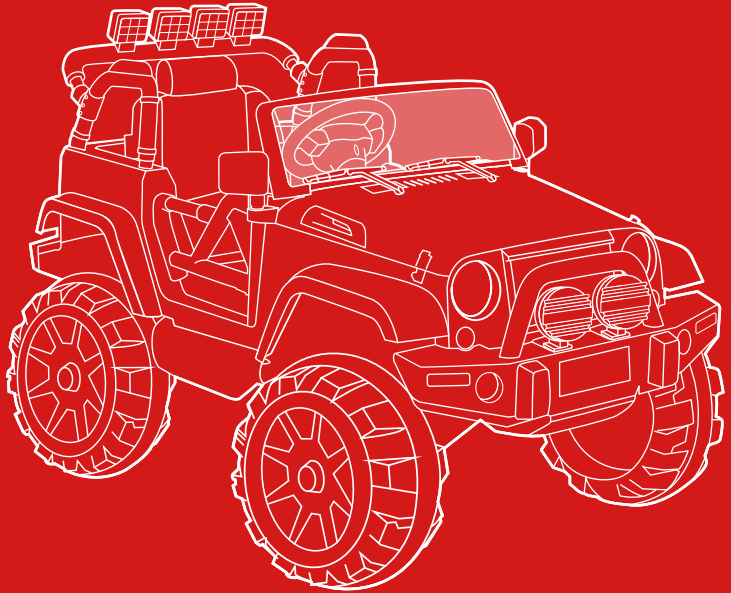




bestchoiceproducts



INSTRUCTION MANUAL

12V Ride-On Truck
with Remote

SAFETY

Please retain these instructions for future reference.

This vehicle must be assembled by an adult who has read and understood the instructions in this manual. Keep the packaging and bags away from children and dispose of all packaging before use. Always use common sense and safe practices when operating this vehicle. This product contains or emits chemicals known in the state of California to cause cancer or birth defects or other reproductive harm.

NOTE: For best performance, only use this vehicle on flat and hard surfaces.

Age Range: 3 to 9 years old

Weight Capacity: 65 lbs.

The following safety hazards may result in serious injury or death:

- This product contains small parts. Keep children away during assembly. Make sure to remove all packaging material and parts from underneath the vehicle body.
- Never open the battery. Batteries contain lead and lead compounds (acids) that are toxic and corrosive, and known to the state of California to cause cancer and reproductive harm.
- Limbs, hair, and clothing can get caught in moving parts. Always wear shoes, keep limbs away from moving parts, and do not wear loose clothing while operating this vehicle.
- This vehicle does not have brakes or braking capability. Do not leave a child unattended during operation. Do not use this in a location that may require braking capability, as this could result in loss of control, which may cause serious injury or death.
- Use of this vehicle near streets, motor vehicles, steps, bodies of water, sloped surfaces, hills, wet areas, flammable vapors, in alleys, at night, or in the dark could result in an unexpected accident.
- Use of this vehicle in unsafe conditions such as snow, rain, loose dirt, mud, sand, or gravel may result in an unexpected accident such as tipping over, and could damage the electrical system or battery.
- Do not operate this vehicle in an unsafe manner. Examples include but are not limited to:
 - Pulling the vehicle with another vehicle or similar device
 - Allowing more than one rider
 - Pushing the user
 - Traveling at an unsafe speed

BATTERY WARNINGS

The following safety hazards may result in serious injury or death:

- Use of a battery or charger other than the supplied 12V rechargeable battery and charger may cause a fire or explosion. Only use the supplied battery and charger.
- Use of the 12V rechargeable battery and charger for any other product may result in overheating, fire, or explosion. Never use the supplied rechargeable battery and charger with another product.
- Explosive gases are created during charging. Charge the battery in a well-ventilated area. Do not charge the battery near heat or flammable materials.
- Contact between the positive and negative terminals may result in fire or explosion. Avoid direct contact between the terminals. Picking up the battery by the wires or charger can cause damage to the battery and may result in a fire. Always pick up the battery by its case or handles.
- Liquids on the battery may cause fire or electric shock. Always keep all liquids away from the battery and keep the battery dry. Contact or exposure to battery leakage (lead acid) may cause serious injury. If contact or exposure occurs immediately call your physician. If the chemical is on the skin or in the eyes, flush with cool water for 15 minutes. If the chemical was swallowed, immediately give the person water or milk. Do not give water or milk if the patient is vomiting or has a decreased level of alertness. Do not induce vomiting.
- Battery posts, terminals, and related accessories contain lead and lead compounds (acid) - chemicals known to the State of California to cause cancer, reproductive harm, and are toxic and corrosive. Never open the battery.
- Tampering or modifying the electric circuit system may cause a shock, fire or explosion and permanently damage the system. Exposed wiring and circuitry in the charger may cause electric shock. Always keep the charger housing closed.

USER WARNINGS

The following safety hazards may result in serious injury or death:

- Never leave a child unattended.
- Always sit in the seat when using this vehicle.
- Keep your hands, hair, and clothes away from moving parts.
- Always wear shoes when operating this vehicle.
- Only one rider is allowed on the vehicle at a time.
- Children under 3 years of age cannot use the vehicle.
- Only drive on level ground.
- Do not go near swimming pools or other bodies of water, drop-offs, or up and down steep inclines.
- Do not drive the vehicle into loose dirt, mud, sand, fine gravel, or on wet surfaces.
- Do not drive the vehicle on streets or near cars.

SPECIFICATIONS

| | |
|----------------------------|------------------------------------|
| Overall Dimensions | 45"(L) x 31"(H) x 31"(H) |
| Weight | 45 lbs. |
| Weight Capacity | 65 lbs. |
| Age Range | 3 - 8 years old |
| Max Speed | 3.75 mph. |
| Initial Charge Time | 12 hours |
| Charging Time | 8 - 12 hours |
| Run Time | 1 - 2 hours |
| Battery Type | 12V 7AH, Recoverable fuse: 15A |
| Electric Motor | Double drive |
| Charger | Input: 120v Output: DC12v 1000MA |
| Materials | PP plastic, metal |

TOOLS REQUIRED



PHILLIPS
SCREWDRIVER



NEEDLE NOSE
PLIERS



SMALL
WRENCH



65 LBS
CAPACITY



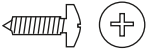
1 PERSON
ASSEMBLY



APPROXIMATELY
1 HR.
ASSEMBLY

HARDWARE

1 4 x 10mm



12 PCS

2 3 x 12mm



2 PCS

3 10 x 20x 2mm



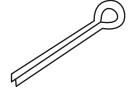
2 PCS

4 12 x 22x 2mm



6 PCS

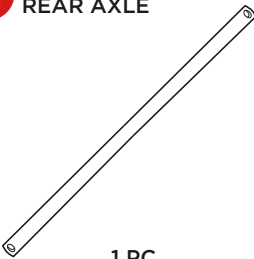
5 2.5 x 16mm



5 PCS

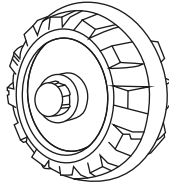
PARTS

A REAR AXLE



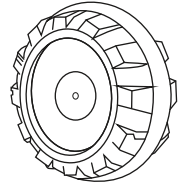
1 PC

B REAR WHEEL



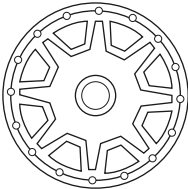
2 PCS

C FRONT WHEEL



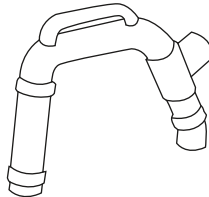
2 PCS

D HUB CAP



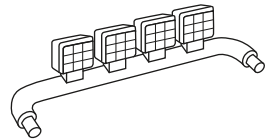
4 PCS

E FRAME



2 PC

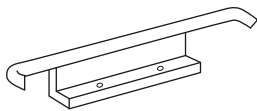
F BAR LIGHT



1 PC

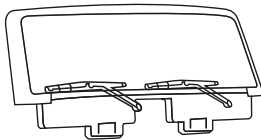
PARTS

G HOOK



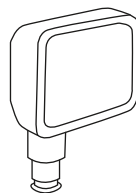
1 PC

H WINDSHIELD



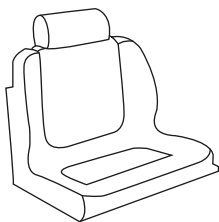
1 PC

I SIDE MIRROR



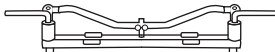
2 PCS

J SEAT



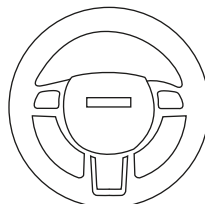
1 PC

K FRONT AXLE



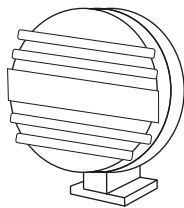
1 PC

L STEERING WHEEL



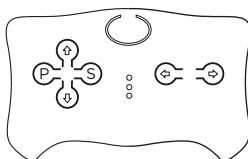
1 PC

M FRONT REFLECTOR



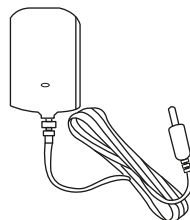
2 PCS

N REMOTE CONTROL



1 PC

O CHARGER

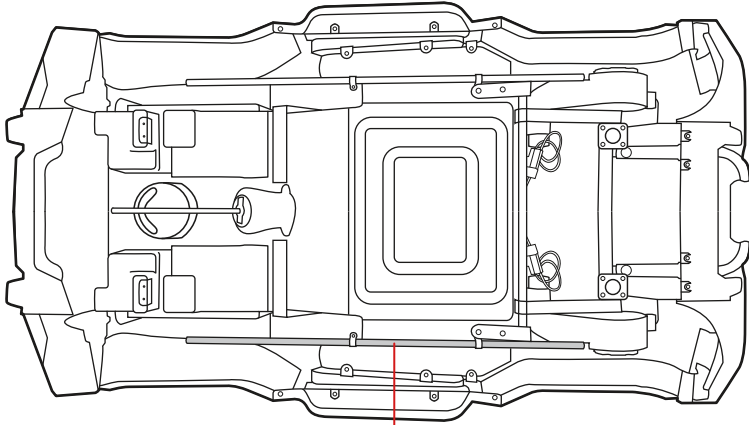


1 PC

PRODUCT ASSEMBLY

1

FRONT

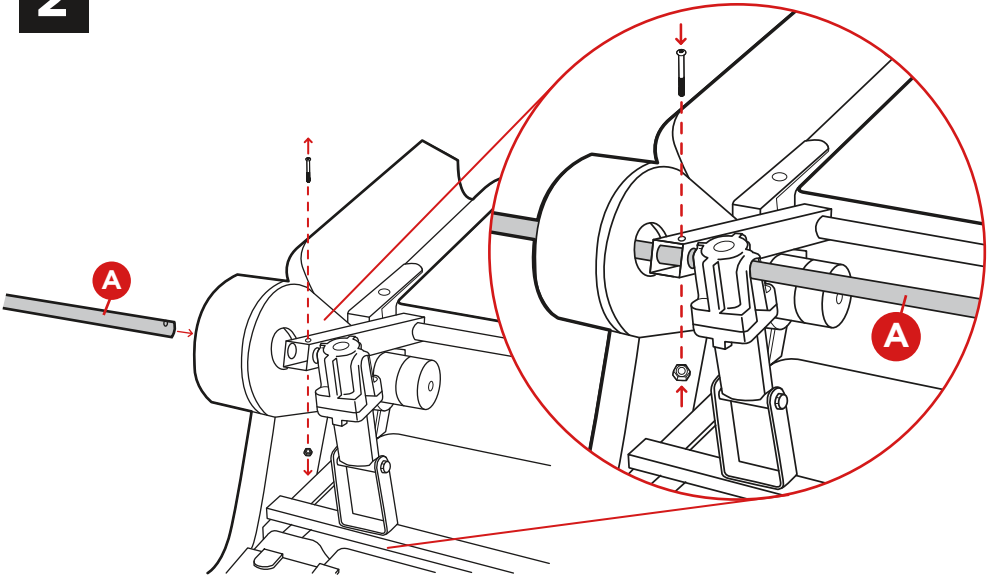


REAR

A

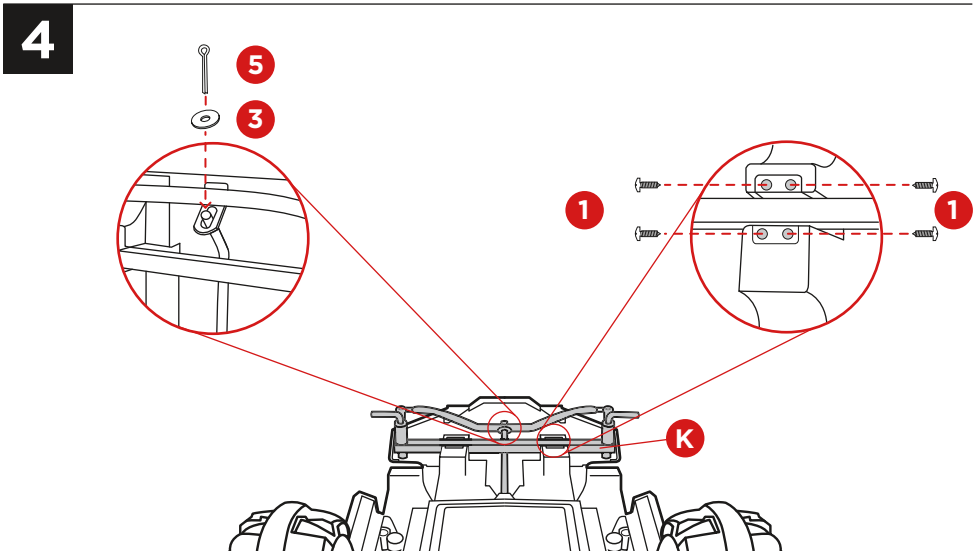
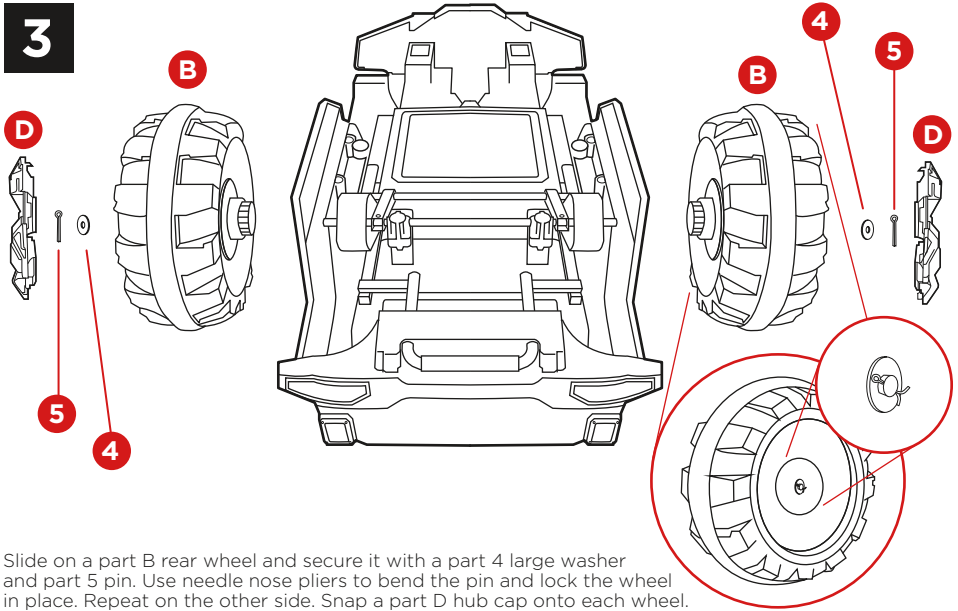
Flip the vehicle over and lay it on a level surface. Slide out the part A rear axle from underneath the vehicle.

2



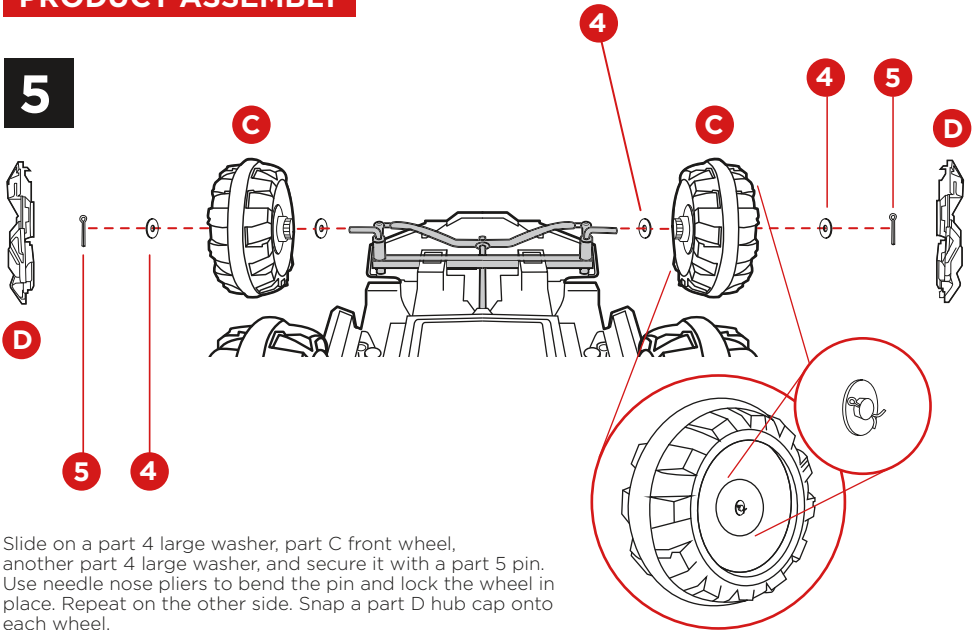
Remove the nut and bolt from the stabilizer near the rear gear box. Slide the part A rear axle through the gear box, metal stabilizer, and shocks. Repeat this on the other side to slide the axle through both gear boxes. Once the rear axle is in place, replace the nuts and bolts on the stabilizers to secure the axle.

PRODUCT ASSEMBLY



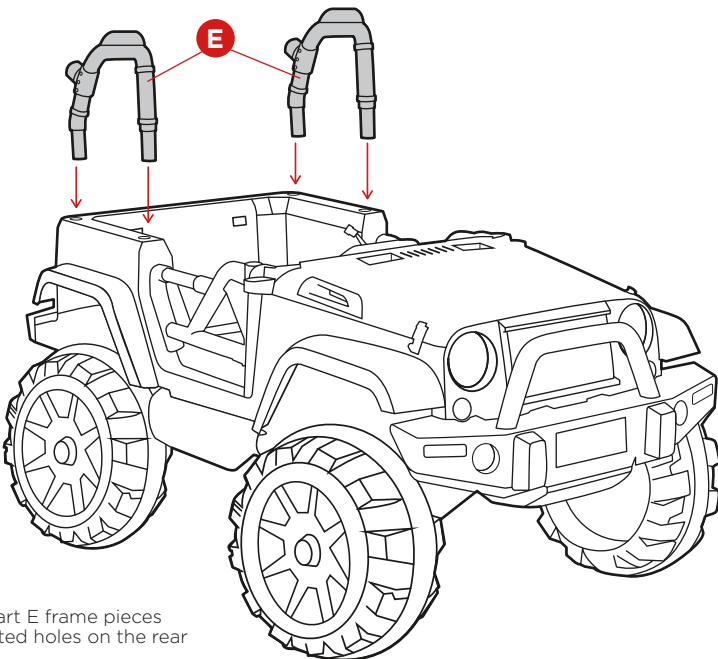
PRODUCT ASSEMBLY

5



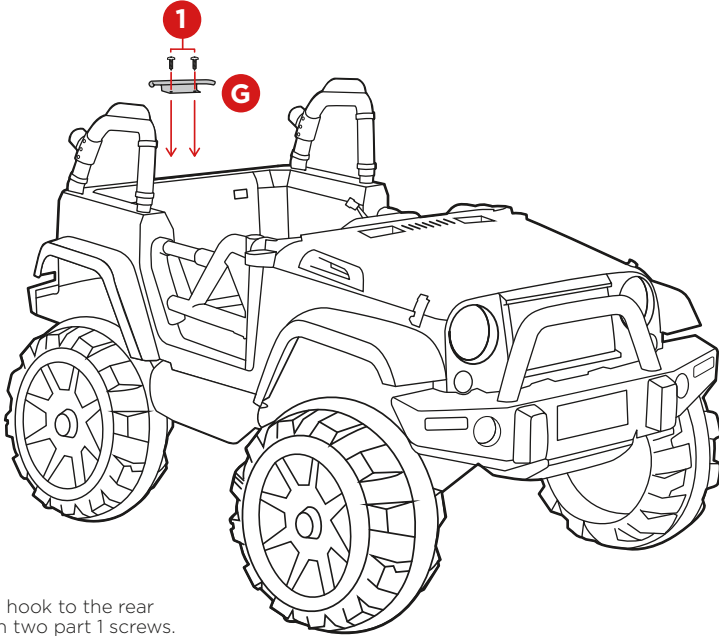
Slide on a part 4 large washer, part C front wheel, another part 4 large washer, and secure it with a part 5 pin. Use needle nose pliers to bend the pin and lock the wheel in place. Repeat on the other side. Snap a part D hub cap onto each wheel.

6



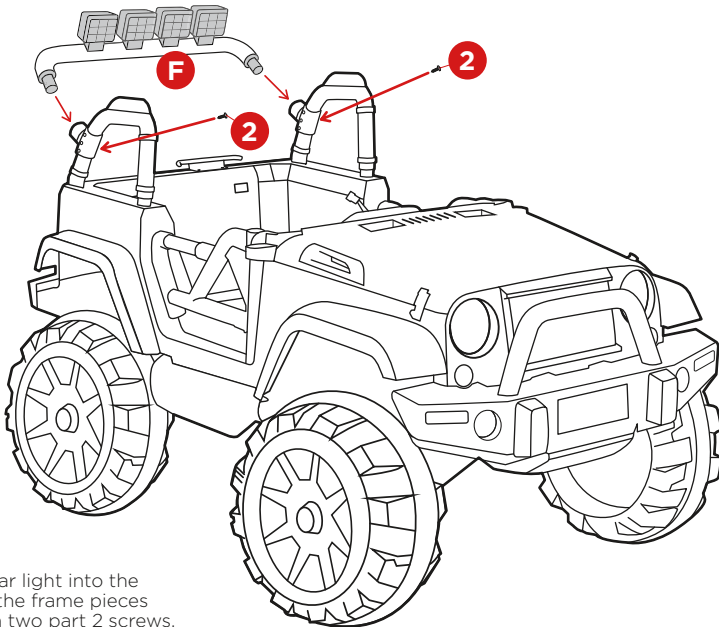
Insert the two part E frame pieces into the designated holes on the rear of the vehicle.

7



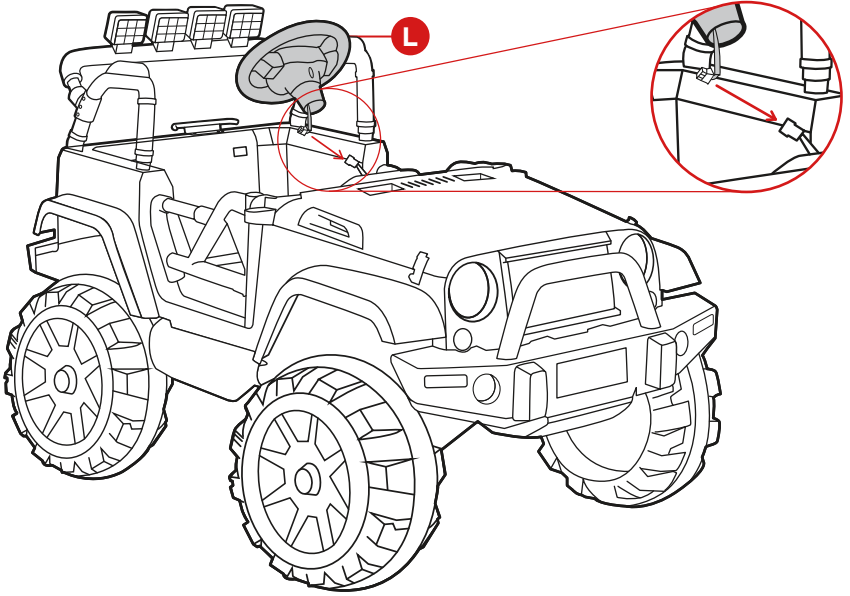
Secure the part G hook to the rear of the vehicle with two part 1 screws.

8



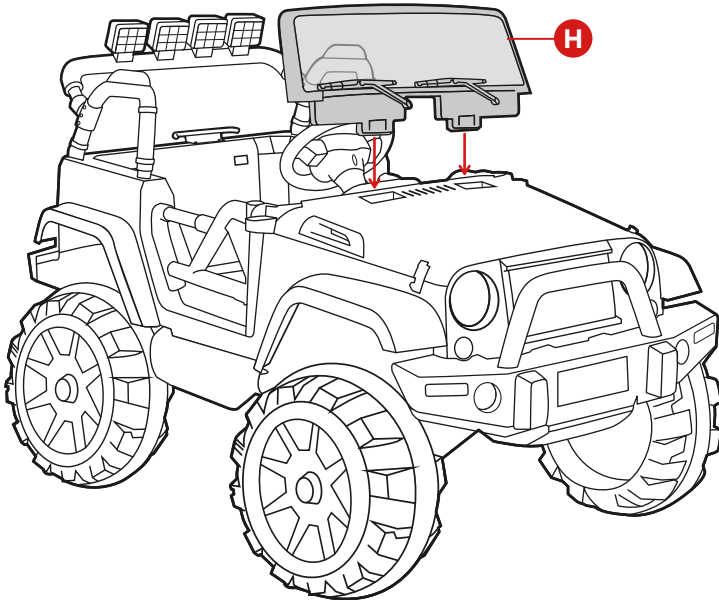
Slide the part F bar light into the holes located on the frame pieces and secure it with two part 2 screws.

9



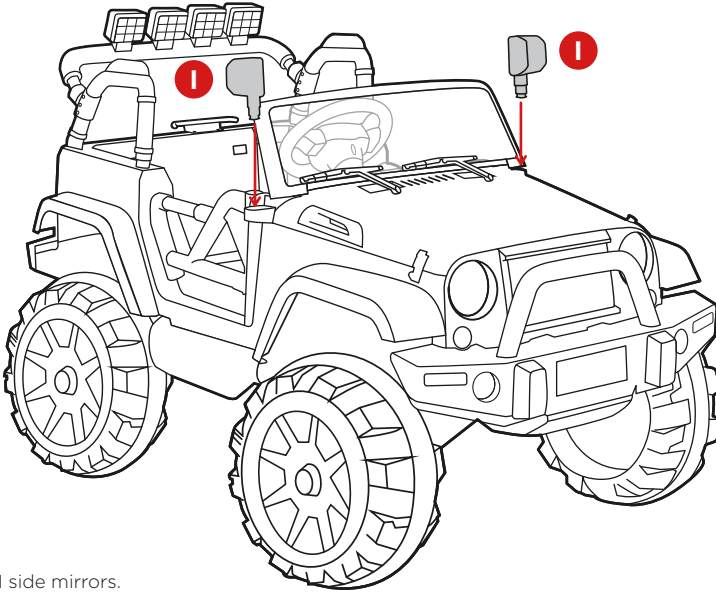
Join the connector from the part L steering wheel to the connector from the steering mount, then snap the steering wheel into place.

10



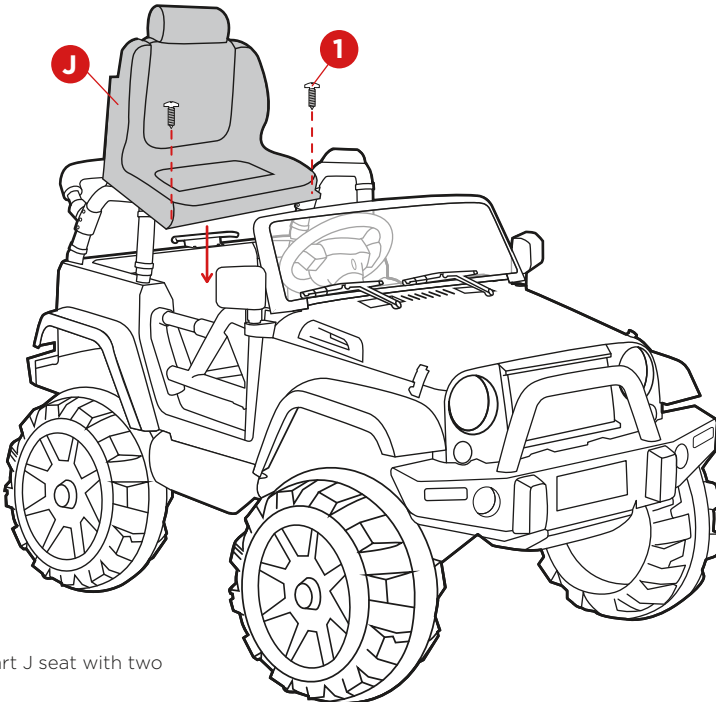
Snap on the part H windshield.

11



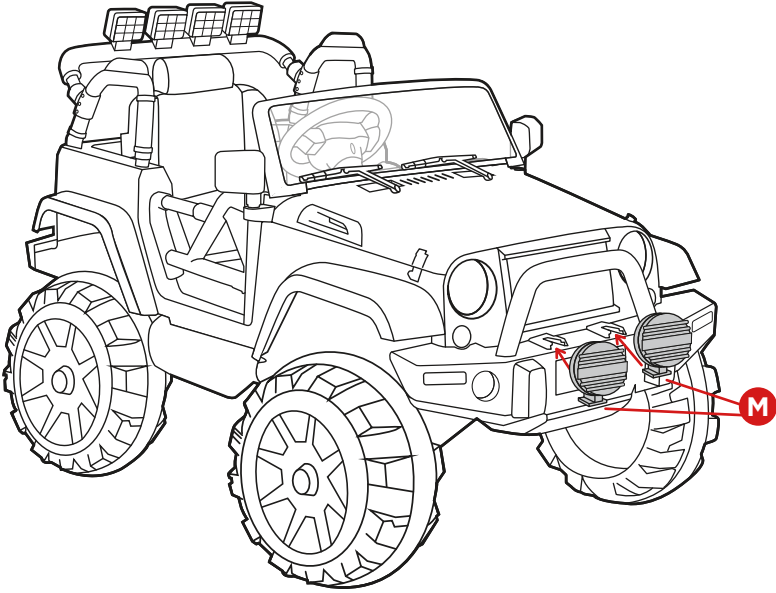
Snap on part I side mirrors.

12



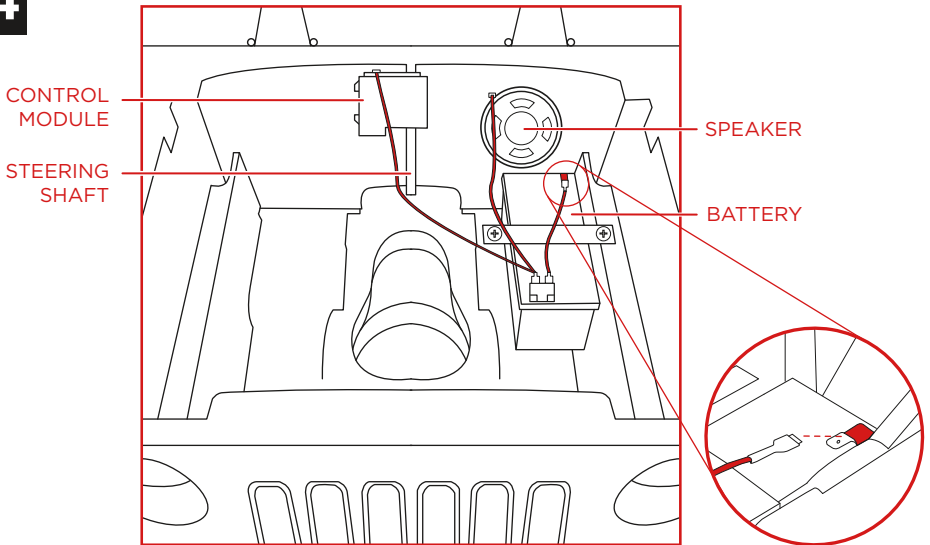
Attach the part J seat with two part 1 screws.

13



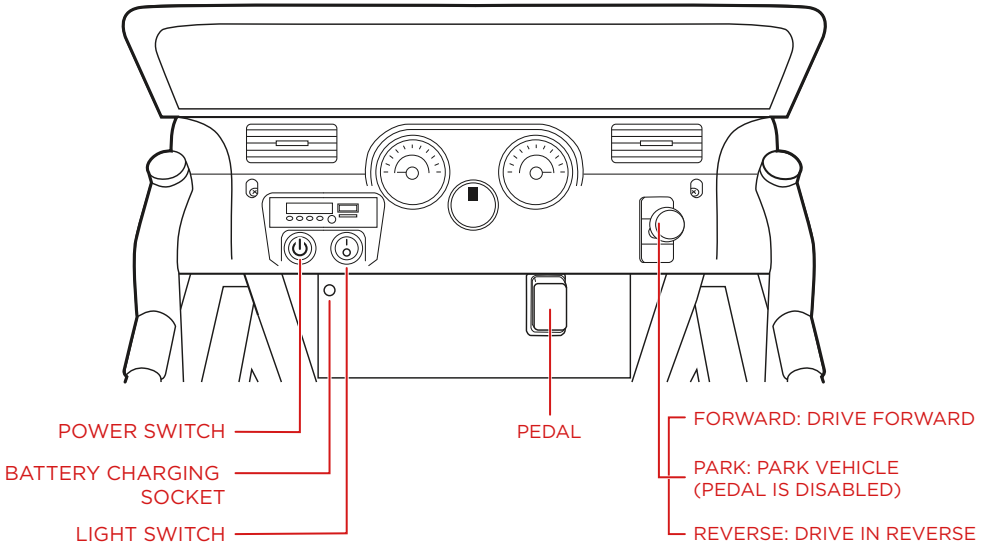
Slide the two part M front reflectors onto the front of the vehicle and they will snap in place.

14



Under the hood, connect the red wire to the red terminal on the battery

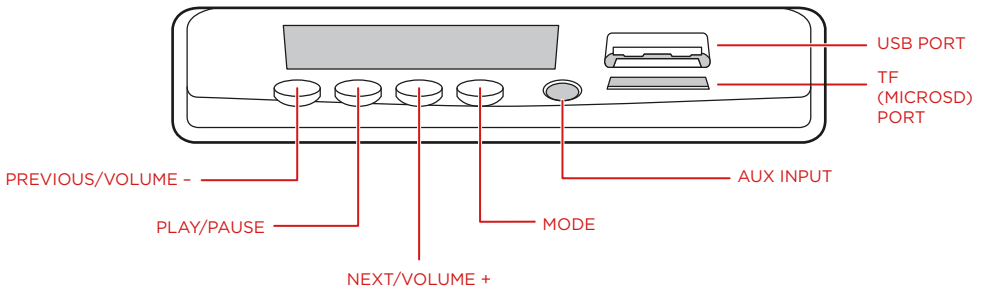
DASHBOARD DIAGRAM



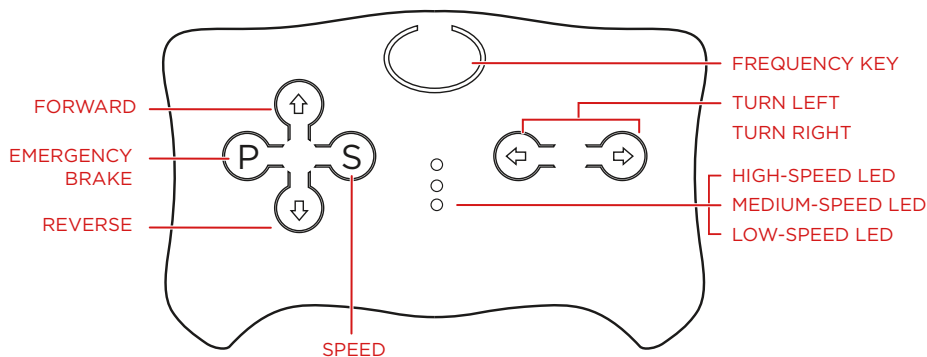
Push down on the pedal to drive forward/reverse. Release the pedal to slow down and stop.

MP3 FUNCTIONS

- **USB port:** play music from a USB drive
- **AUX input:** plug in a music player to play music
- **TF (MicroSD) port:** play music from a MicroSD card
- **▶||:** play/pause music
- **▶||/V+:** short press to play to the next song, long press to increase volume
- **◀◀/V-:** short press to play the previous song, long press to decrease volume
- **MODE:** press to toggle between USB, MicroSD, FM radio, and AUX input
- **FM Radio:** press the ▶|| to automatically seek a radio station. Press the ▶||/V+ to seek the next radio station. Press the ◀◀/V- to return to the previous radio station



REMOTE CONTROL FUNCTIONS



- Insert 2 AAA batteries into the remote control
- After 10 seconds of non-operation, the indicator light will turn off and the remote will go into power-saving mode.

Linking the remote control:

1. Press and hold the frequency key for 2 to 4 seconds. The low speed LED lights will flash.
2. Turn the vehicle on. The low speed LED lights will stop flashing and remain on to indicate a successful link.
3. If the low speed LED lights continue to flash (indicating an unsuccessful link), remove the battery on the remote and repeat steps 1 and 2.

TROUBLESHOOTING

| Problem | Reason | Solution |
|---|---|---|
| Vehicle does not move | Low battery | Fully charge the battery |
| | Electrical protection | Stop use for several minutes and restart |
| | Switch not in the correct position | Completely press in switches |
| | Battery connectors disconnected | Plug in battery connectors |
| Battery does not recharge | Battery connectors disconnected | Plug in battery connectors |
| | Charger not connected to socket or outlet | Completely plug in the charger |
| Battery does not last | Battery does not have a full charge | Fully charge the battery |
| Battery is warm and makes a slight noise while charging | Normal | Normal |
| Slow speed | Low battery | Fully charge the battery |
| | Overloaded vehicle | Reduce the weight on the vehicle |
| | Uneven or sloped road | Drive on flat pavement |
| Vehicles shakes while driving | Loose connection to motor | Ensure the motor is properly connected to the battery |
| Vehicle is silent | Steering wheel is not properly connected | Properly connect the steering wheel connector |

CHARGING INSTRUCTIONS AND WARNINGS

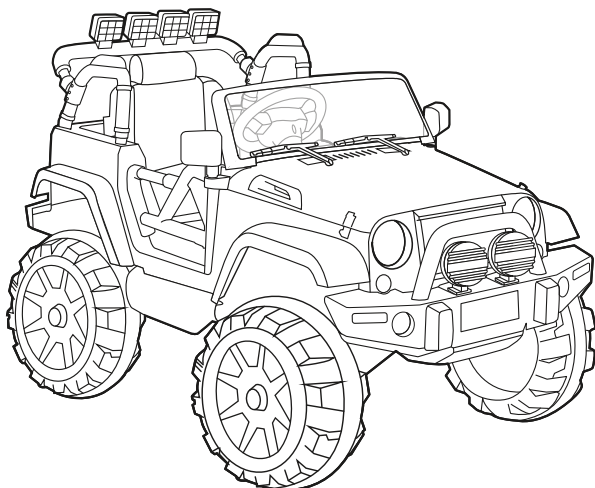
- Charging socket is located under the dashboard on the left side. Insert one end of the part O charger into the charging socket and plug the other end into a wall outlet (see Dashboard Diagram).
- Charge the battery at least 12 hours before initial use.
- On average, you will need to charge the battery between 8 and 12 hours. Do not charge the battery for more than 20 hours. Failure to charge the battery as directed could cause permanent damage to the battery and void the warranty.
- Damage to the battery may occur if it is allowed to drain completely. Do not allow the battery to drain completely.
- Check the battery and charger (supply cord, connector) for wear and damage before charging.
- Do not charge the battery if damage has occurred.
- Only an adult who has read and understood the safety warnings should handle, charge and recharge the battery.

CARING FOR YOUR RIDE-ON

- Park the vehicle indoors or cover it with a tarp to protect it from wet weather.
- Do not leave the vehicle in the sun for long periods of time or fading may occur. Store in shade or cover with tarp.
- Do not wash the vehicle with a hose.
- Do not wash the vehicle with soap.

ASSEMBLY IS COMPLETE!

bcp



PRODUCT WARRANTY INFORMATION

All items can be returned for any reason within 60 days of the receipt and will receive a full refund as long as the item is returned in its original product packaging and all accessories from its original shipment are included. All returned items will receive a full refund back to the original payment method. All returned items will not be charged a re-stocking fee.

All returned items require an RA (Return Authorization) number, which can only be provided by a Best Choice Products Customer Service Representative when the return request is submitted. Items received without an RA may not be accepted or may increase your return processing time. Once an item has been received by Best Choice Products, refunds or replacements will be processed within 5 business days.

All returns must be shipped back to the Best Choice Products Return Center at the customer's expense. If the reason for return is a result of an error by Best Choice Products then Best Choice Products will provide a pre-paid shipping label via email. Boxes for return shipping will not be provided by Best Choice Products, and is the customer's responsibility to either use the original shipping boxes or purchase new boxes.

Pictures may be required for some returns to ensure an item is not damaged prior to its return. Items returned are not considered undamaged until they are received by Best Choice Products and verified as such. All damages to items are the customer's responsibility until the item has been received by and acknowledge by Best Choice Products as undamaged.

CONTACT US; WE'RE HERE 7 DAYS A WEEK TO HELP YOU!



bestchoiceproducts.com



customerservice@bestchoiceproducts.com



844.948.8400



[LEARN MORE!](#)

WARNING

Manufacturer and seller expressly disclaim any and all liability for personal injury, property damage or loss, whether direct, indirect, or incidental, resulting from the incorrect attachment, improper use, inadequate maintenance, or neglect of this product.