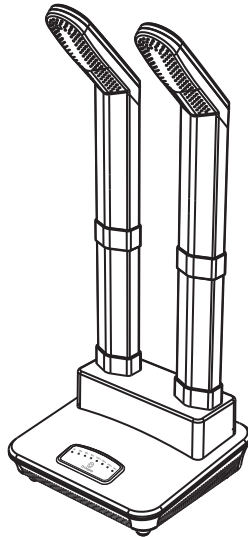


SHOE & BOOT DRYER


Dr. Prepare

DHBDL1

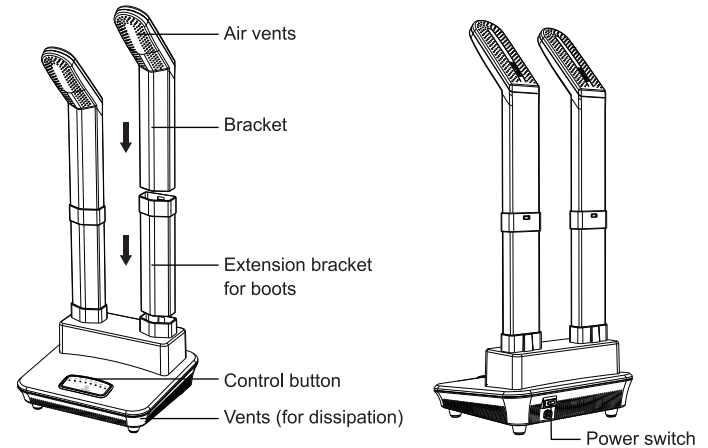


This user guide offers a brief walkthrough of the unit's features and usage. Please keep the user manual in hand for future reference.

Still need help? Feel free to send us an email at support@drprepare.com

 **User Guide**

PRODUCT OVERVIEW



SPECIFICATIONS

Voltage	120V~60Hz
Power	140W
Temperature	104°F~131°F (40°C~55°C)
Timer	30 / 60 / 90 / 120 / 180 / 240 Minutes
Product Dimensions	Without extension bracket: 9.7 x 9 x 25 in/25 x 23 x 63 cm With extension bracket: 9.7 x 9 x 17.5 in/25 x 23 x 44.5 cm
Product Weight	3.7 lbs/1.7 kg

DRYING TIME

1. Usually, we advise you to set a 30-minute timer for removing sweat.
2. If shoes are slightly wet, you can set a 60-minute timer (or longer) for removing moisture.
3. Please set an appropriate timer based on practical needs.
4. We advise you not to use the dryer with the leather shoes to prevent damages to the leather.

OPERATION

1. Put the dryer on a clean and dry floor.
2. Make sure that both air vents face the control panel and install the brackets with the air outlets securely on the machine.
3. For drying boots effectively, you can install the brackets with the extensions (included).
4. Put the shoes/boots on the dryer and ensure that their soles face backward.
5. Begin by plugging in the dryer. Subsequently, press the button to activate the dryer and proceed to set a drying timer. The dryer will commence its operation once the timer is successfully set.
6. To turn off the dryer, press the button until the indicator below OFF lights up.

Note: The factory default setting for the power switch on the back is ON, and you can switch it off after turning off the dryer to ensure safe electricity usage.

WARNINGS

1. Do not cover the vents at the base in case the dryer overheats.
2. Please keep the dryer away from fabrics, especially curtains and bedding.
3. Please check the condition of the cord before using the dryer to prevent electric shocks and potential fire hazards.
4. Do not put dripping-wet shoes on the dryer.
5. Keep the dryer away from sands, stones, and other debris.

6. We advise you not to run the dryer for 4 consecutive hours to extend the service life.
7. Do not use the dryer in a space where are combustible materials (such as paper, fuel, etc.) or dust around.
8. Do not expose the shoe dryer to direct sunlight and other heat sources.
9. Do not disassemble the dryer. Otherwise, the warranty will be void.
10. Do not use fuel or other corrosive liquid to clean the dryer. Make sure no liquid gets into the interior.
11. Do not smash, squash, or drop the shoe dryer.
12. Do not force the tubes into extra-small shoes to prevent damages to both shoes and the dryer.
13. This dryer is only intended to dry washable fabrics.

WARRANTY

- This appliance is covered by a limited 12-month manufacturer warranty.
- From the date of the original purchase, if the appliance fails due to a defect in materials or workmanship, during the limited 12-month warranty, the manufacturer, Dr.Prepare, will repair or replace any parts of this appliance as long as the appliance was proven to be used under normal operating conditions intended by the manufacturer.
- We only provide after-sales service for products sold by Dr.Prepare or retailers and distributors authorized by Dr.Prepare. If you have purchased your unit through other channels, please contact your seller for more information about the return and warranty.

CUSTOMER SUPPORT

- Need help? Feel free to send us an email at support@drprepare.com
Want to see more products? Visit our official store: drprepare.com