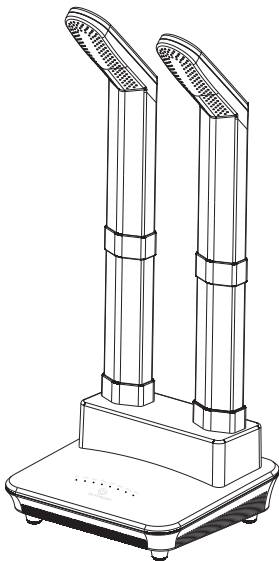




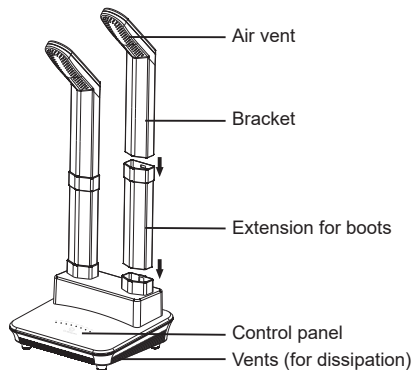
Dr. Prepare

SHOE & BOOT DRYER

SKU: DBD-0BKLS



IDENTIFYING PARTS



SPECIFICATIONS

Voltage	110V~60Hz
Power	140W
Temperature	104°F ~ 131°F
Timer	30 / 60 / 90 / 120 / 180 / 240 minutes

DRYING TIME (RECOMMENDED)

1. Usually, we advise you to set a 30-minute timer for removing sweat.
2. If shoes are slightly wet, you can set a 60-minute timer (or longer) for removing moisture.
3. Please set an appropriate timer based on practical needs.
4. We advise you not to use the dryer with the leather shoes to prevent damages to the leather.

OPERATION

1. Put the dryer on a clean and dry floor.
2. Make sure that both air vents face the control panel and install the brackets with the air outlets securely on the machine.
3. For drying boots effectively, you can install the brackets with the extensions (included).
4. Put the shoes/boots on the dryer and ensure that their soles face backward.
5. Plug in the dryer and you can set a drying timer by pressing the button. The dryer starts working after the timer is set.
6. To turn off the dryer, press the button until the indicator below OFF lights up.

WARNINGS

1. DO NOT COVER the vents at the base in case the dryer overheats.
2. Please keep the dryer away from fabrics, especially curtains and bedding.
3. Please check the condition of the cord before using the dryer to prevent electric shocks and potential fire hazards.
4. DO NOT put dripping-wet shoes on the dryer.
5. Keep the dryer away from sands, stones, and other debris.
6. We advise you not to run the dryer for 4 consecutive hours to extend the service life.
7. DO NOT use the dryer in a space where there are combustible materials (such as paper, fuel, etc.) or dust around.

8. DO NOT EXPOSE the shoe dryer to direct sunlight and other heat sources.
9. DO NOT disassemble the dryer. Otherwise, the warranty will be void.
10. DO NOT use fuel or other corrosive liquid to clean the dryer. Make sure no liquid gets into the interior.
11. DO NOT smash, squash, or drop the shoe dryer.
12. DO NOT force the tubes into extra-small shoes to prevent damages to both shoes and the dryer.
13. This dryer is only intended to dry washable fabrics.

WARRANTY

- Dr.Prepare products are covered by a 12-month limited warranty from the original purchase date. If any problems occur, please contact our support team.
- We only provide after-sales services for products that are sold by Dr.Prepare or retailers and distributors authorized by Dr.Prepare. If you have purchased your unit from other channels, please contact your seller for more information about return and warranty.

CUSTOMER SUPPORT

- If you have any questions or concerns, please send us an email at support@drprepare.com