

JMPTM
JMPWOOD.COM



**WE TAKE PRIDE IN
OUR QUALITY**

At JMP Wood, we believe your stair should be a work of art. With our quality, American made craftsmanship paired with our expert service, we guarantee you will be impressed.

Contents

Congratulations on obtaining the 2021 JMP Collection catalog! If at any point you would like to purchase our products, look for the helpful QR code found at the bottom of the page to link you right to our website. Enjoy!

Contents

About US	5
Measuring	6
In House Machining	8
Wood	
JMP Collection	12
Custom Parts	
Custom Posts	88
Custom Handrails	90
Custom Tangents	92
Stairs	
Grand Scale	100
Pond St	104
Rhode Island	108
Unique Projects	
Baldacchino- Saint Michael's Church	114
Marriot	118
Tango Stair	122
Accent Table	124

Shipping and Returns

FAQ's	126
Terms and Conditions	128



About Us



Giuseppe and Michael Cangelosi



Giuseppe 'Zep' Cangelosi
Rosalia Cangelosi

JMP is a family-owned business founded by Giuseppe Cangelosi, initially providing handmade unique display fixtures to all kinds of boutiques and department stores. Beginning as "JMP Display Fixtures" Giuseppe (Joe) Cangelosi along with brothers Mario & Peter set up shop in Brooklyn, New York circa 1974 to show the world their talent at creating unique wood display fixtures. Since the family trade was passed down to Joe's son, Michael, JMP Display Fixtures expanded to JMP Wood Stairs & Rails and JMP Woodturning. Combining timeless knowledge of wood management along with new age designs and technology, JMP is an unstoppable leader in the millwork/stair part industry.

When priceless craftsmanship meets new age technology, the competition just doesn't compare. Through specialization in the manufacturing of newel posts, balusters, columns, table legs, tangent rails and much more, JMP has branded themselves as a staple in the woodworking industry. JMP's evolution into a fully blossoming corporation consisting of a full staff of the finest artisans, tools and machines is proof that the manufacturing industry is still going strong, and you can't put a price on American made goods. We take pride in our work and assure you that JMP is the best choice for quality and craftsmanship and we take every order one step at a time!

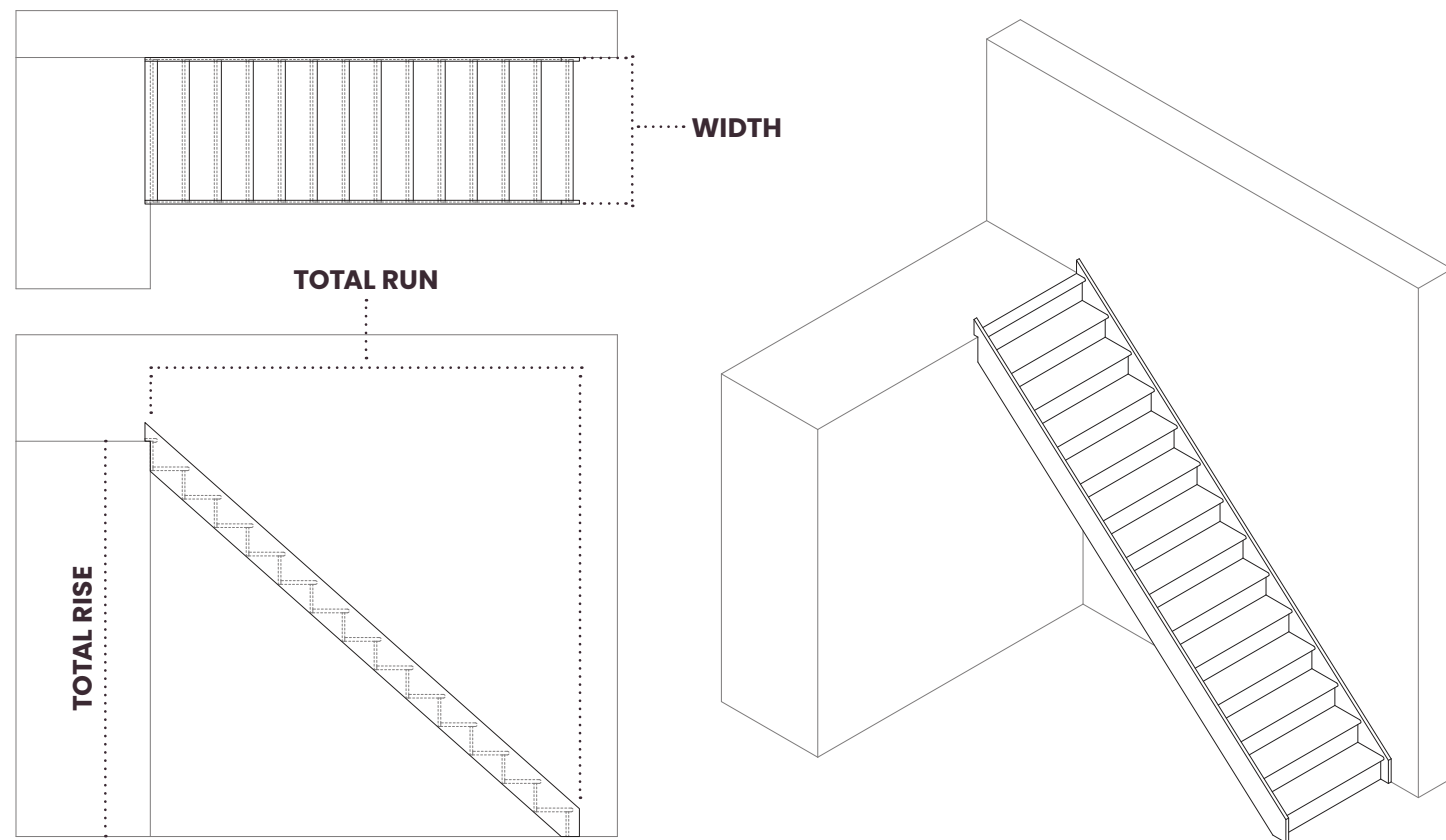
ON-SITE MEASURING

HOW TO SUPPLY MEASUREMENTS?

Generally, we ask our customers to supply us with measurements for a job. However in some cases when projects are rather dynamic and require technical assistance, JMP Wood is happy to assist in the measurements of your stair.

In order to supply us with measurements, we ask that you measure your total rise, width, and overall run or how far you would like for your stair to extend from your wall.

These measurements or any architectural plans can be submitted to our company email, info@jmpwood.com where our team of designers and estimators can provide you with a series of plans and quotes for your project. Once you sign off on drawings, there are to be no further changes made and your project will go into production.



3D LASERING CAPABILITIES

Our 3D laser allows us to create an accurate 3d scan of your site. We then take this scan and place into a 3D modeling software to build a complete stair design. This is generally reserved for jobs like complex curved stairs and capping metal railing. If you wish to inquire about our laser scanning services, please contact our office or reach us via email at scan@jmpwood.com



SCAN ME

Scan to see some previous projects that we have measured for!

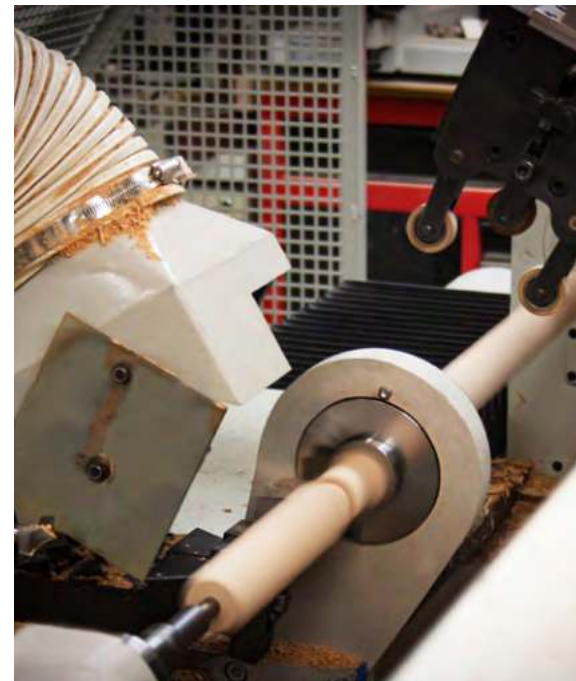


IN HOUSE MACHINING

CNC LATHE



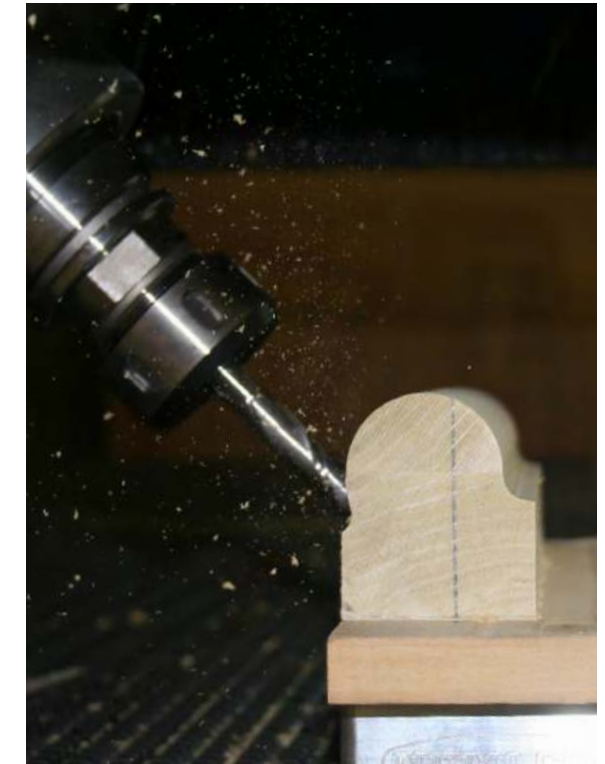
Our in house cnc lathe is our workhorse. Equipped with two independently controlled cutting gouges, we are able to produce (but not limited too) newel posts and balusters with high fidelity to the specified design. In addition, our lathe is also equipped with an indexing head which gives us the ability to carve fluting and twisted designs. This machine is suitable for projects ranging anywhere from large production batches to one-off designs.



5 AXIS MACHINING



The 5 axis cnc is where we create our custom tangent rails and more complex projects. Paired with our lasering capabilities, we are able to create handrails (but not limited to) exact to your specifications.



CNC BETWEEN CENTERS



Our cnc between centers is where we create our ornate designs around any turned post, baluster, and table legs



3 AXIS MACHINING



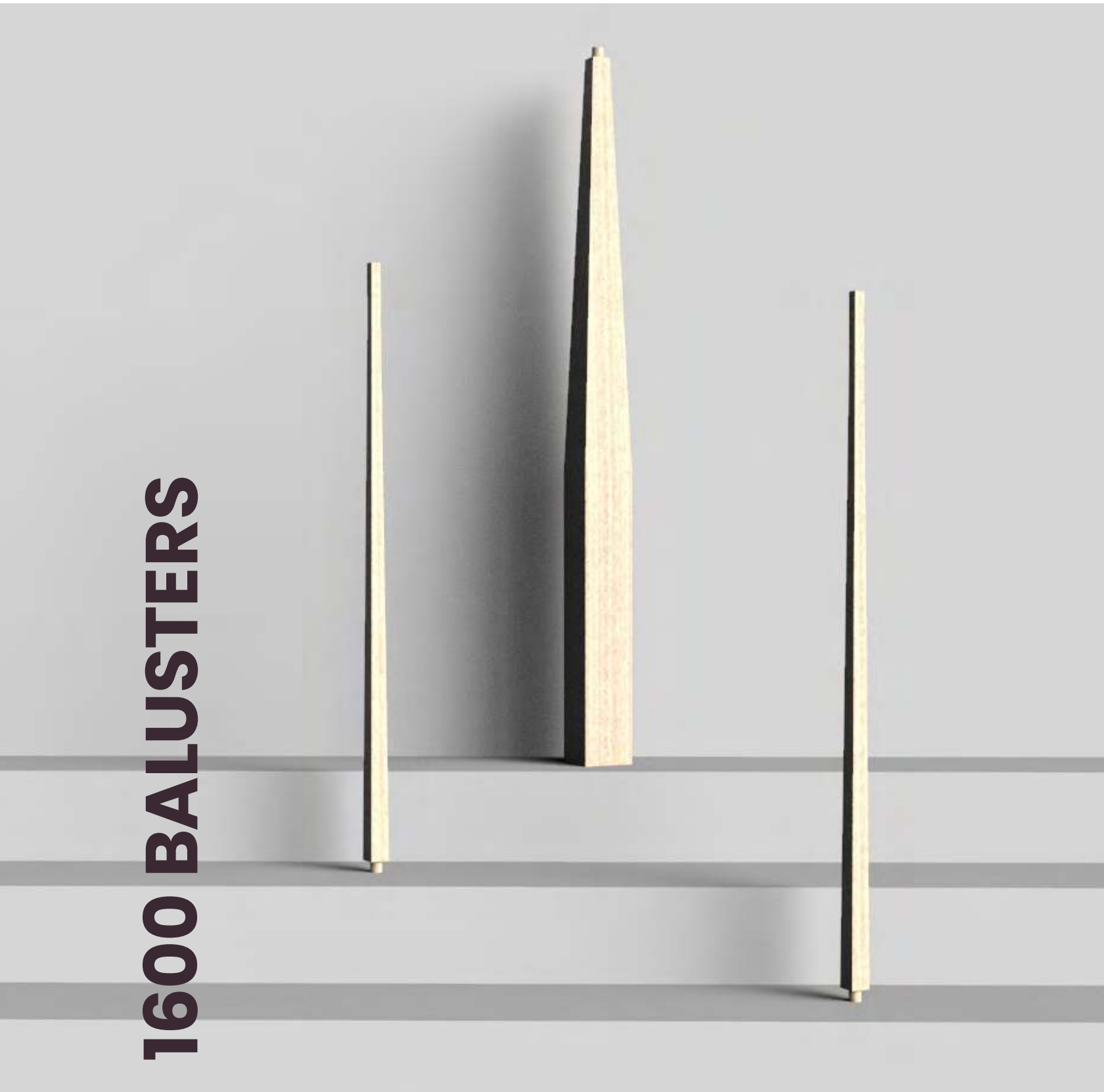
Our 3 axis cnc is generally allocated to cutting custom stringers and other 2 dimensional cut patterns. Its 12' x 5' bed space allows us to cut large patters with ease and efficiency.



WOOD



1600 BALUSTERS



For more information on available options for this item, please scan this QR code to be directed to our website!



1600 COLLECTION | NEW

The 1600 collection will give your home a simple yet beautiful, modern design.

DESIGN INSPIRATION

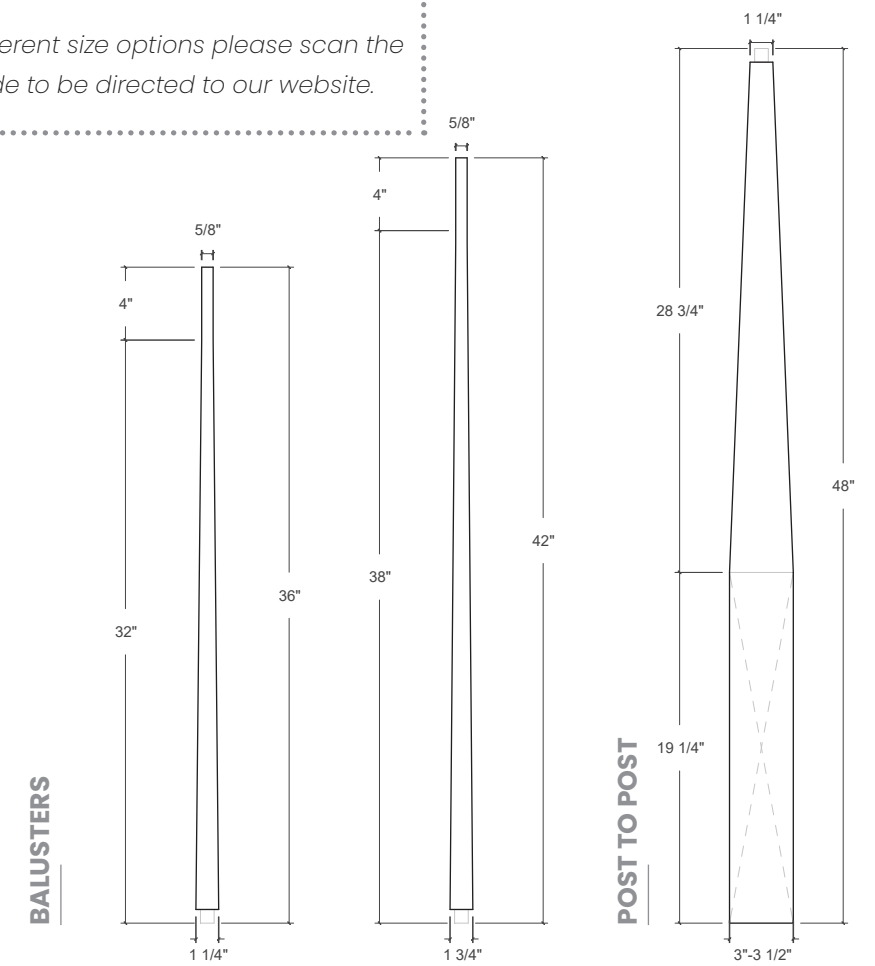


Our 1600 series is our newest addition to our JMP collection designed to give your over the post system a clean and refined look.

NOTICE:

VBS : VARIES BY SIZE

For different size options please scan the QR code to be directed to our website.



BAMBOO COLLECTION



For more information on available options for this item, please scan this QR code to be directed to our website!



BAMBOO COLLECTION | ORGANIC

This plain Bamboo style collection will give your home a simple yet beautiful design with a touch of nature.

DESIGN INSPIRATION

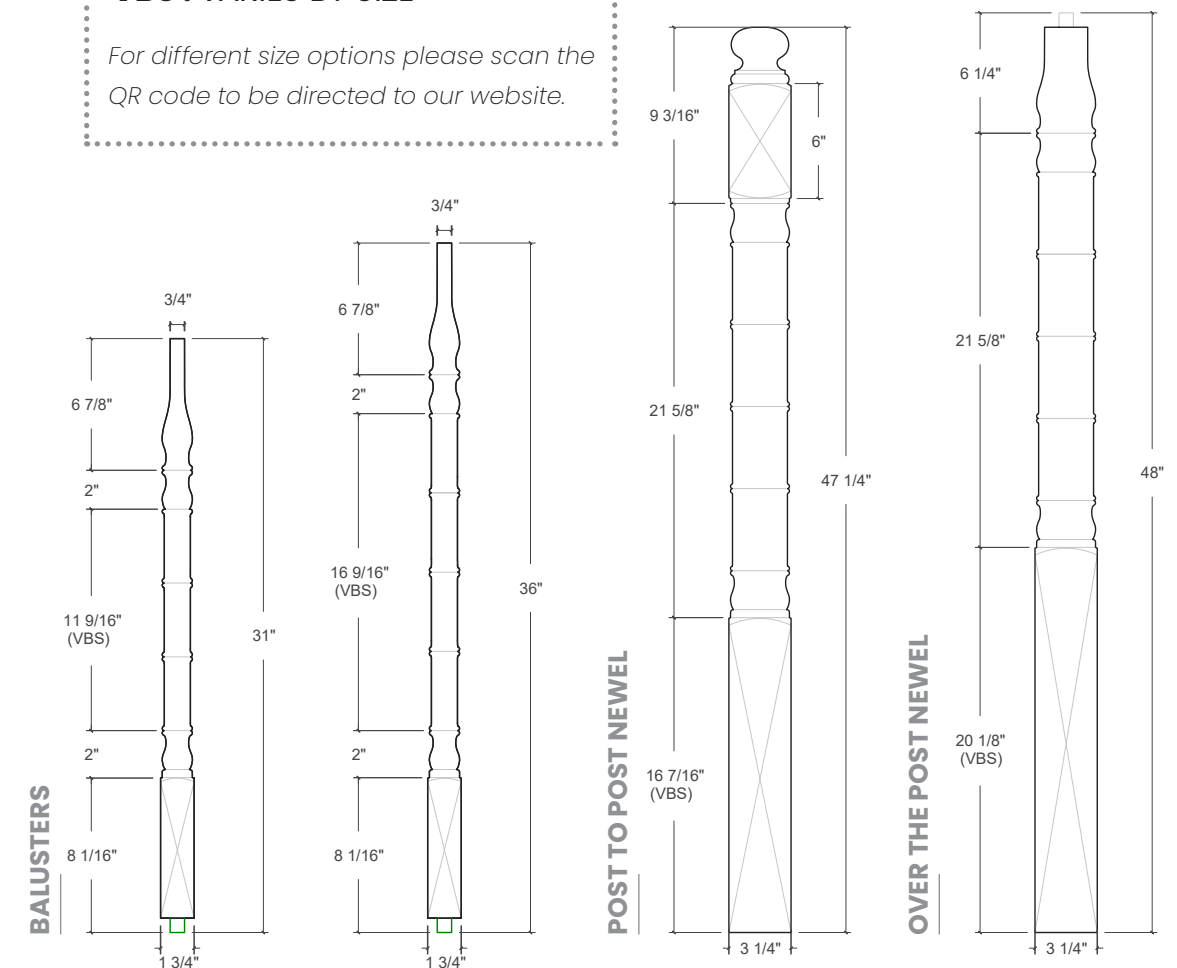


Influenced by stalks of bamboo, this collection is designed to bring an organic element to the home while remaining contemporary.

NOTICE:

VBS : VARIES BY SIZE

For different size options please scan the QR code to be directed to our website.



BARCELONA COLLECTION



For more information on available options for this item, please scan this QR code to be directed to our website!



BARCELONA COLLECTION | TRADITIONAL

The classical and traditional design of the plain Barcelona collection will add the finishing look with its simple and graceful turnings.

DESIGN INSPIRATION

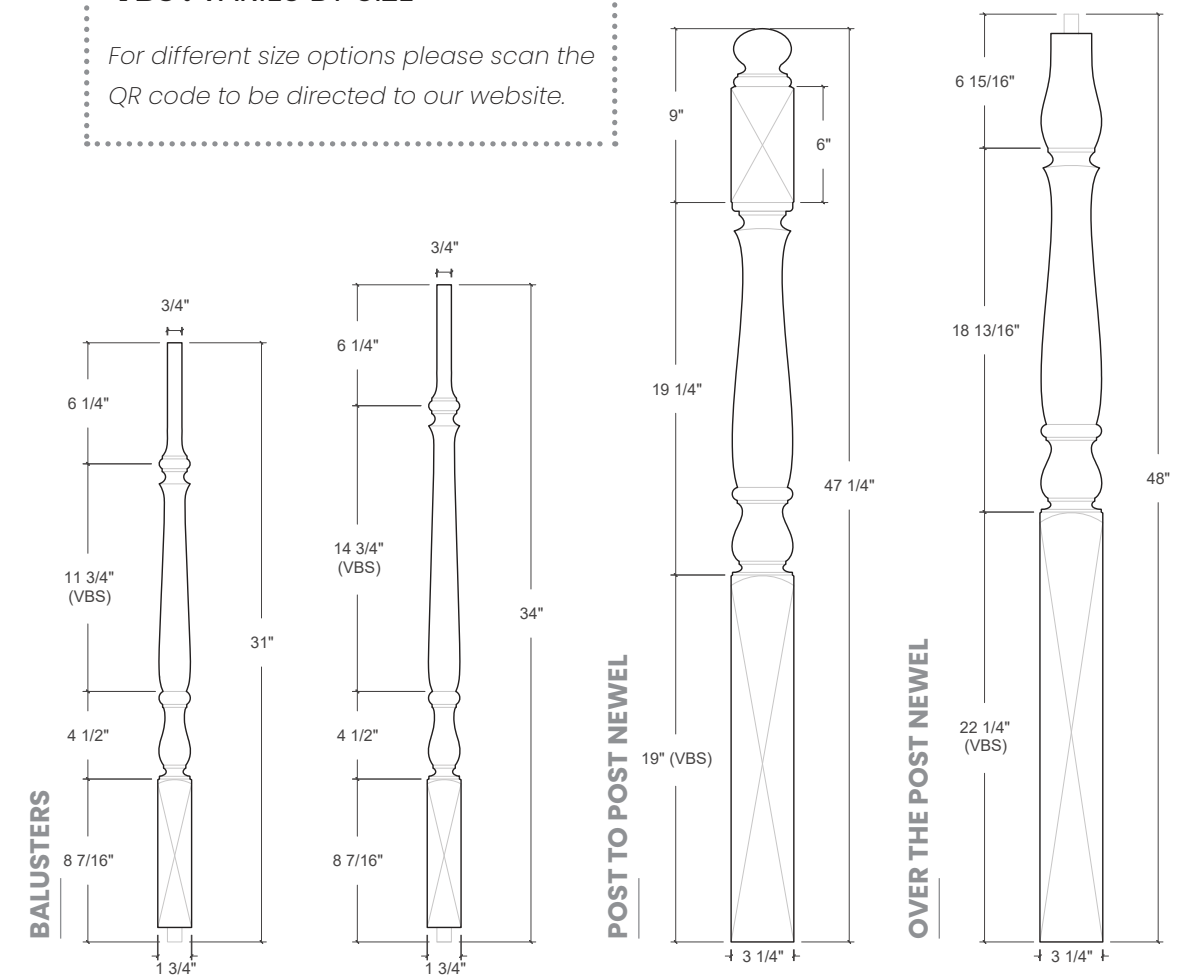


This collection's design was derived from the historic and worldly city of Barcelona, Spain.

NOTICE:

VBS : VARIES BY SIZE

For different size options please scan the QR code to be directed to our website.



BROADWAY COLLECTION



For more information on available options for this item, please scan this QR code to be directed to our website!



BROADWAY COLLECTION | TRADITIONAL

The beautifully designed Broadway collection will give your home a sophisticated and classy design.

DESIGN INSPIRATION

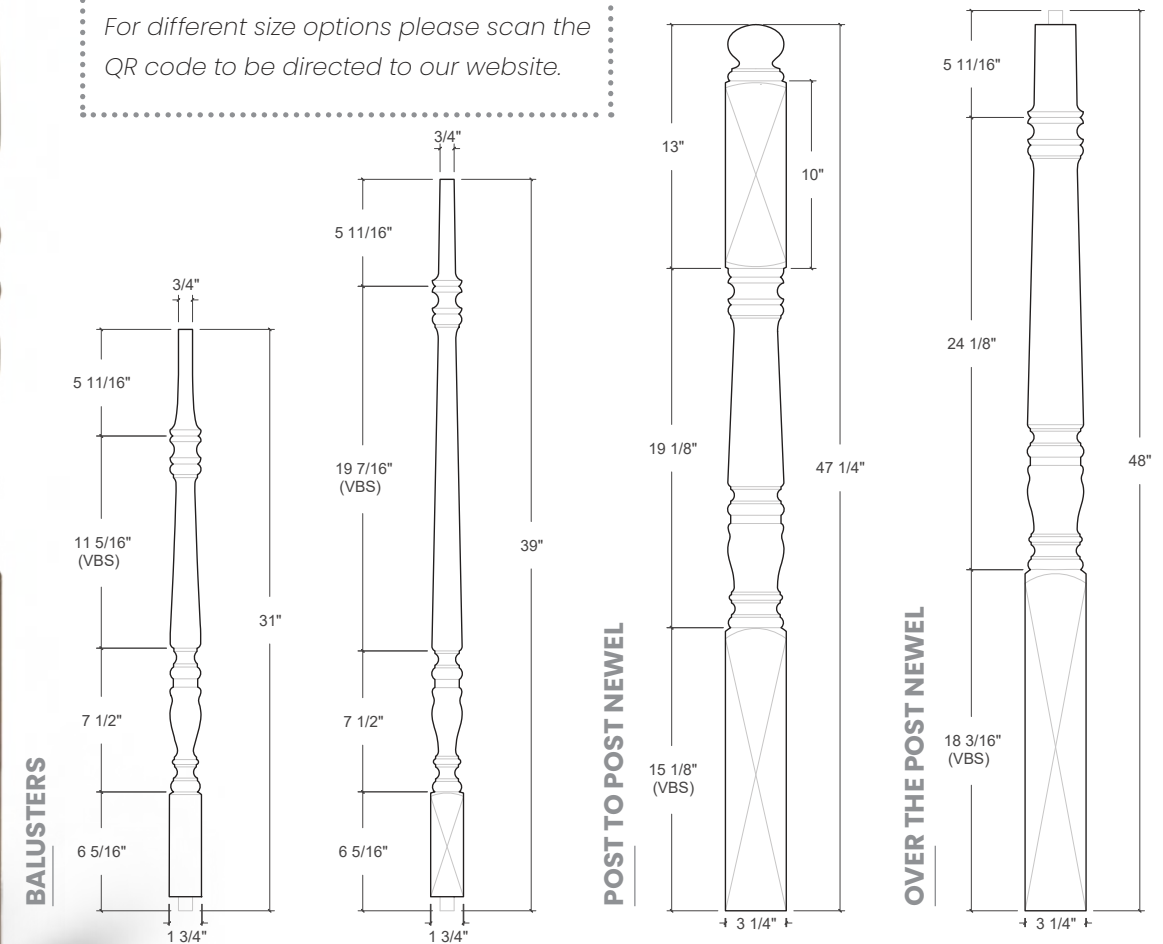


This turning is a tribute to the flashy and lively strip of Broadway in Times Square.

NOTICE:

VBS : VARIES BY SIZE

For different size options please scan the QR code to be directed to our website.



REEDED BROADWAY COLLECTION



For more information on available options for this item, please scan this QR code to be directed to our website!



REEDED BROADWAY COLLECTION | TRADITIONAL

The beautifully designed Broadway collection with a reeded carving will give your home a sophisticated and classy design.

DESIGN INSPIRATION

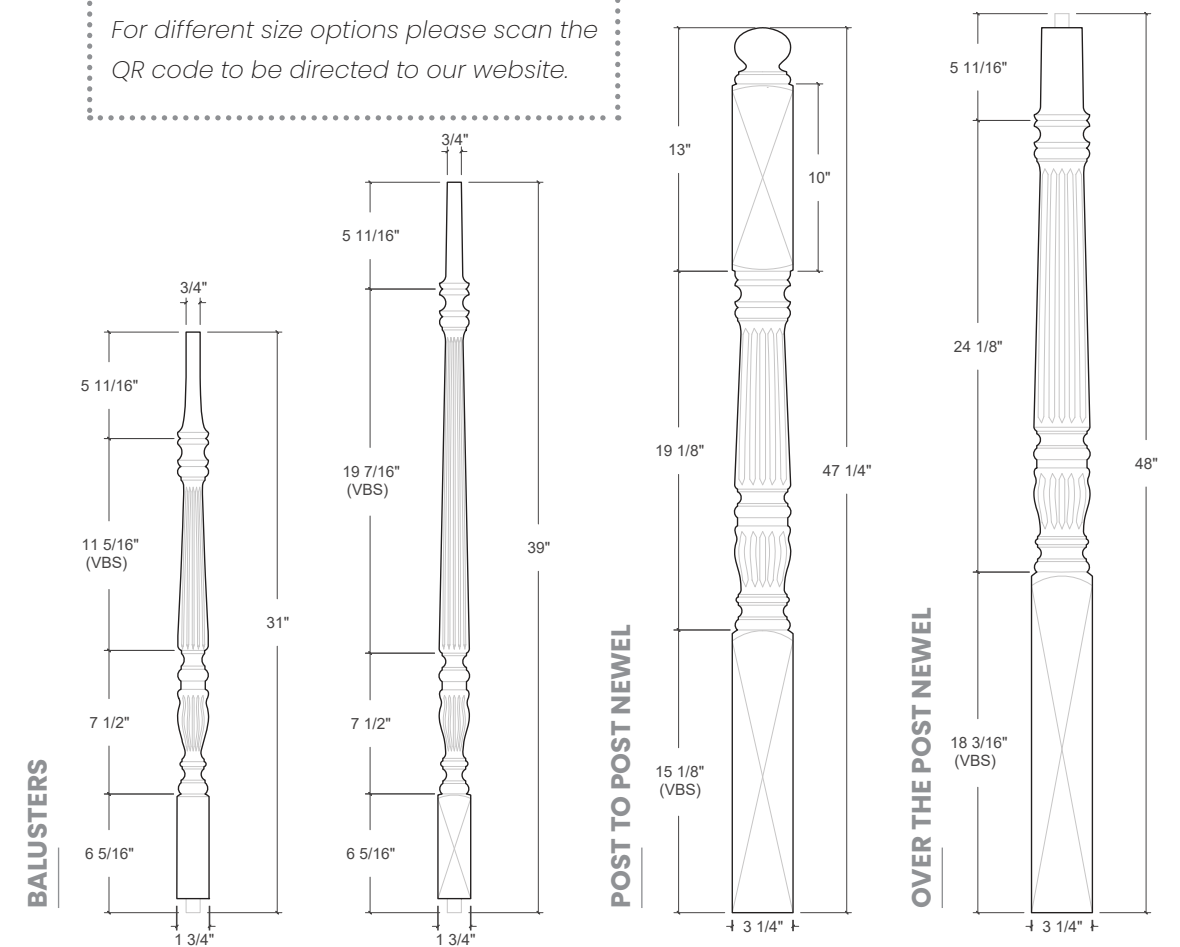


This turning is a tribute to the flashy and lively strip of Broadway in Times Square.

NOTICE:

VBS : VARIES BY SIZE

For different size options please scan the QR code to be directed to our website.



BROOKLYN COLLECTION



For more information on available options for this item, please scan this QR code to be directed to our website!



BROOKLYN COLLECTION | TRADITIONAL

The elegant design of the plain Brooklyn collection will flatter any architectural design.

DESIGN INSPIRATION

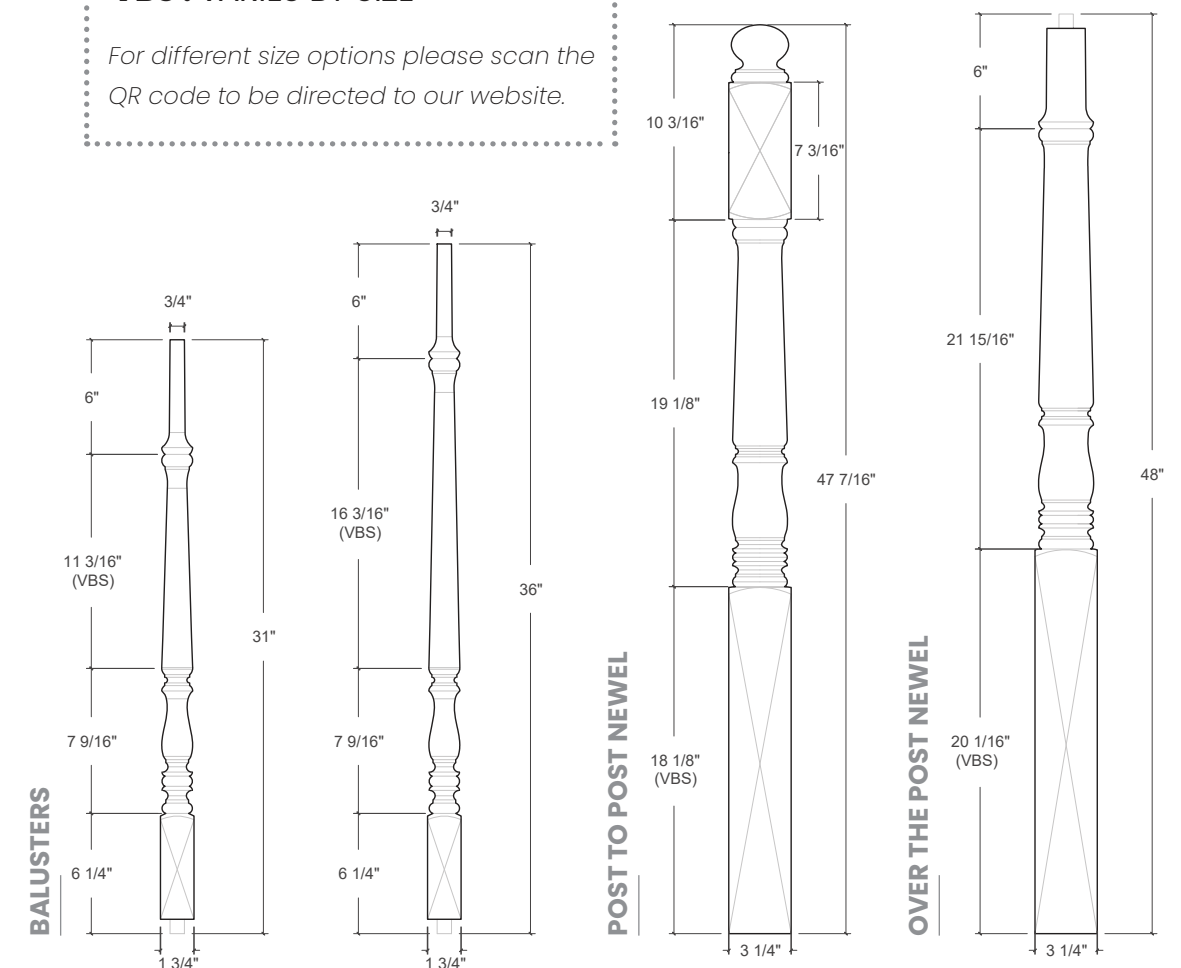


This collection's design is a tribute to the historic borough of Brooklyn.

NOTICE:

VBS : VARIES BY SIZE

For different size options please scan the QR code to be directed to our website.



BROWNSTONE COLLECTION



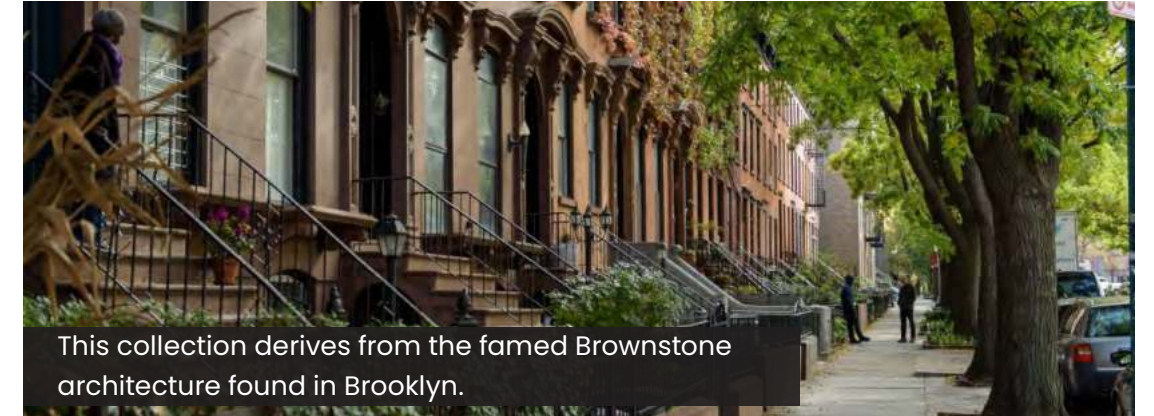
For more information on available options for this item, please scan this QR code to be directed to our website!



BROWNSTONE COLLECTION | MODERN

The octagonal desing of the plain Brownstone collection will give your stairs a clean and traditional design.

DESIGN INSPIRATION

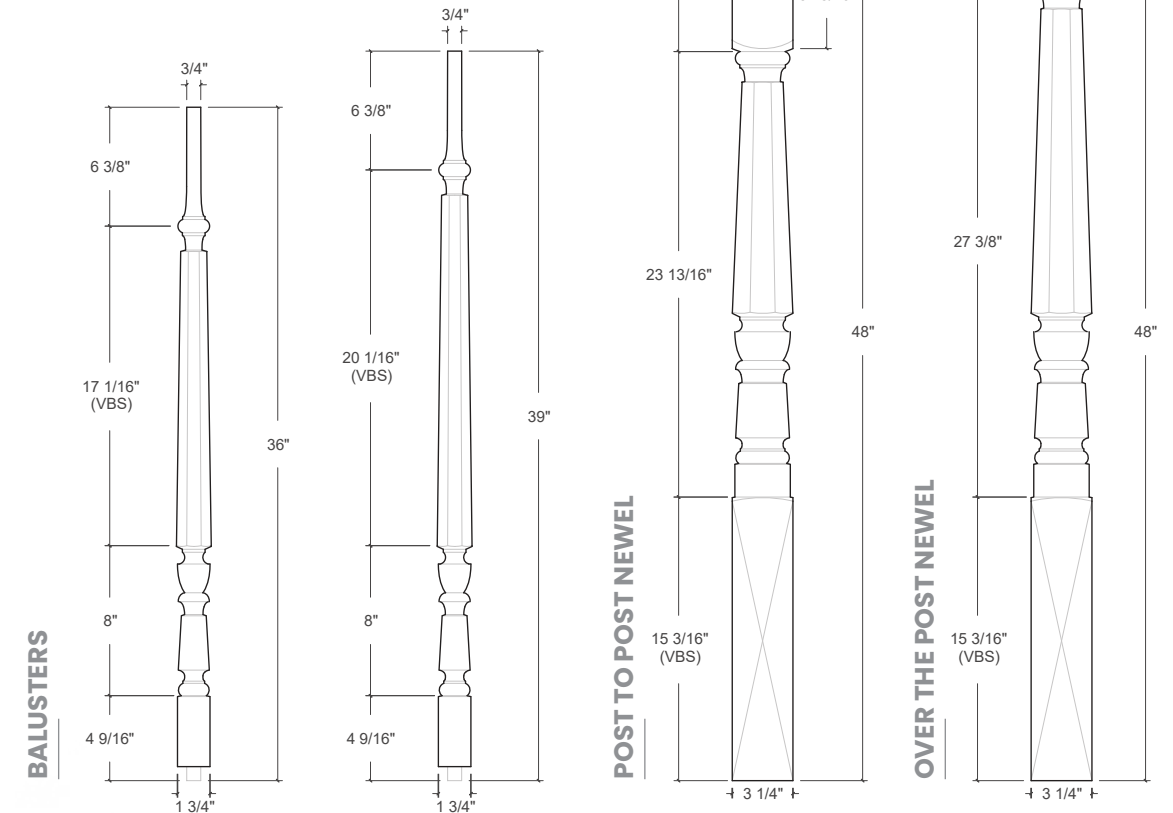


This collection derives from the famed Brownstone architecture found in Brooklyn.

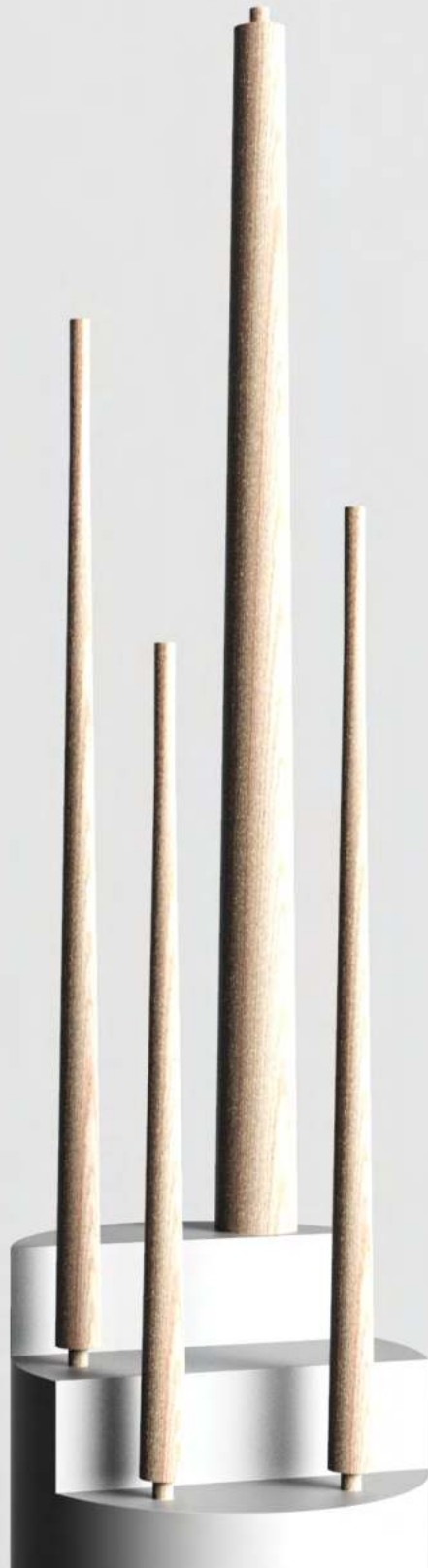
NOTICE:

VBS : VARIES BY SIZE

For different size options please scan the QR code to be directed to our website.



CANDLESTICK COLLECTION



For more information on available options for this item, please scan this QR code to be directed to our website!



CANDLESTICK COLLECTION | MODERN

The Candlestick collection will give your home a simple yet beautiful and modern design.

DESIGN INSPIRATION

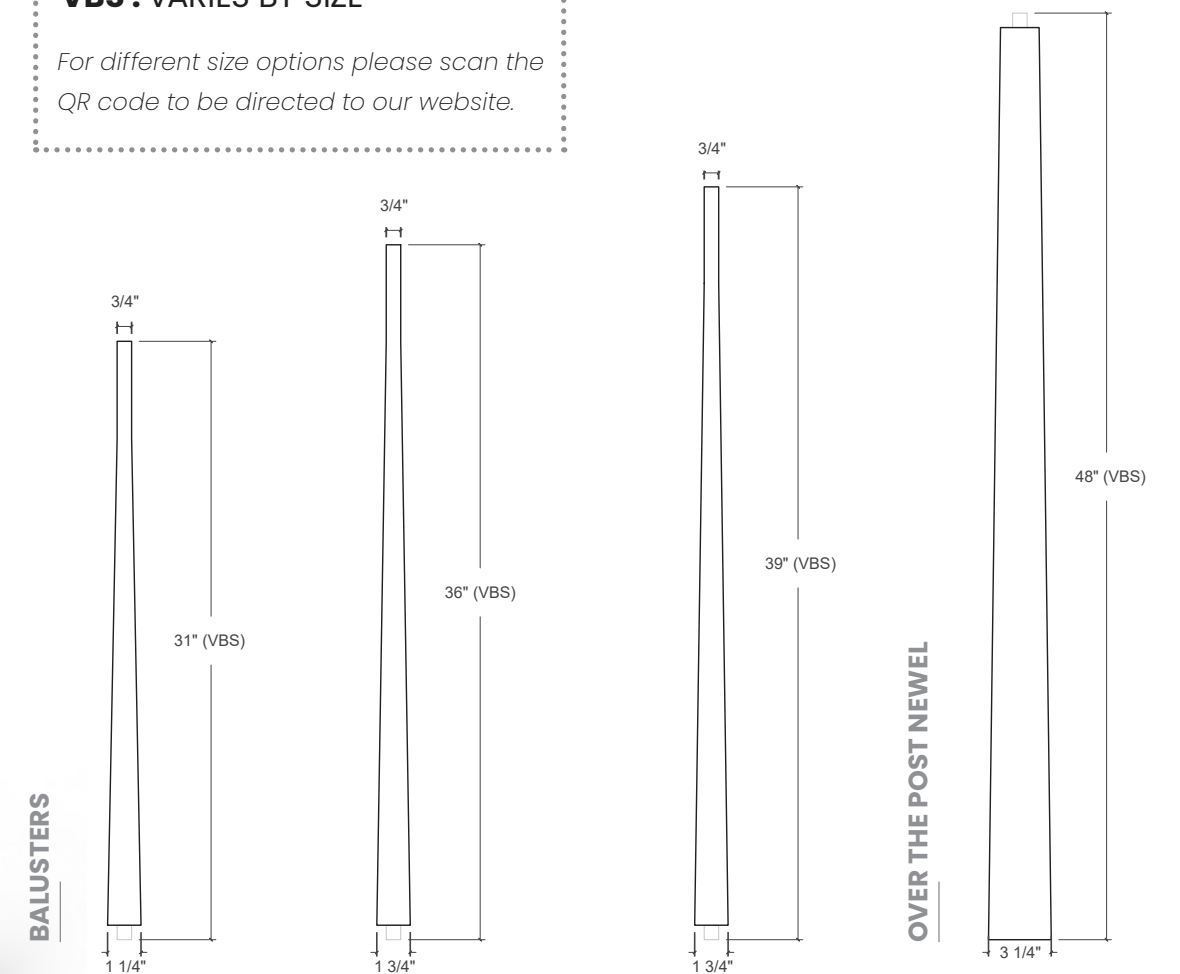


This turning goes well with any of our other collections. The candlestick design is often considered standard in stair parts manufacturing.

NOTICE:

VBS : VARIES BY SIZE

For different size options please scan the QR code to be directed to our website.



CAPRI COLLECTION



For more information on available options for this item, please scan this QR code to be directed to our website!



CAPRI COLLECTION | TRADITIONAL

The delicately detailed plain Capri collection will compliment any home.

DESIGN INSPIRATION

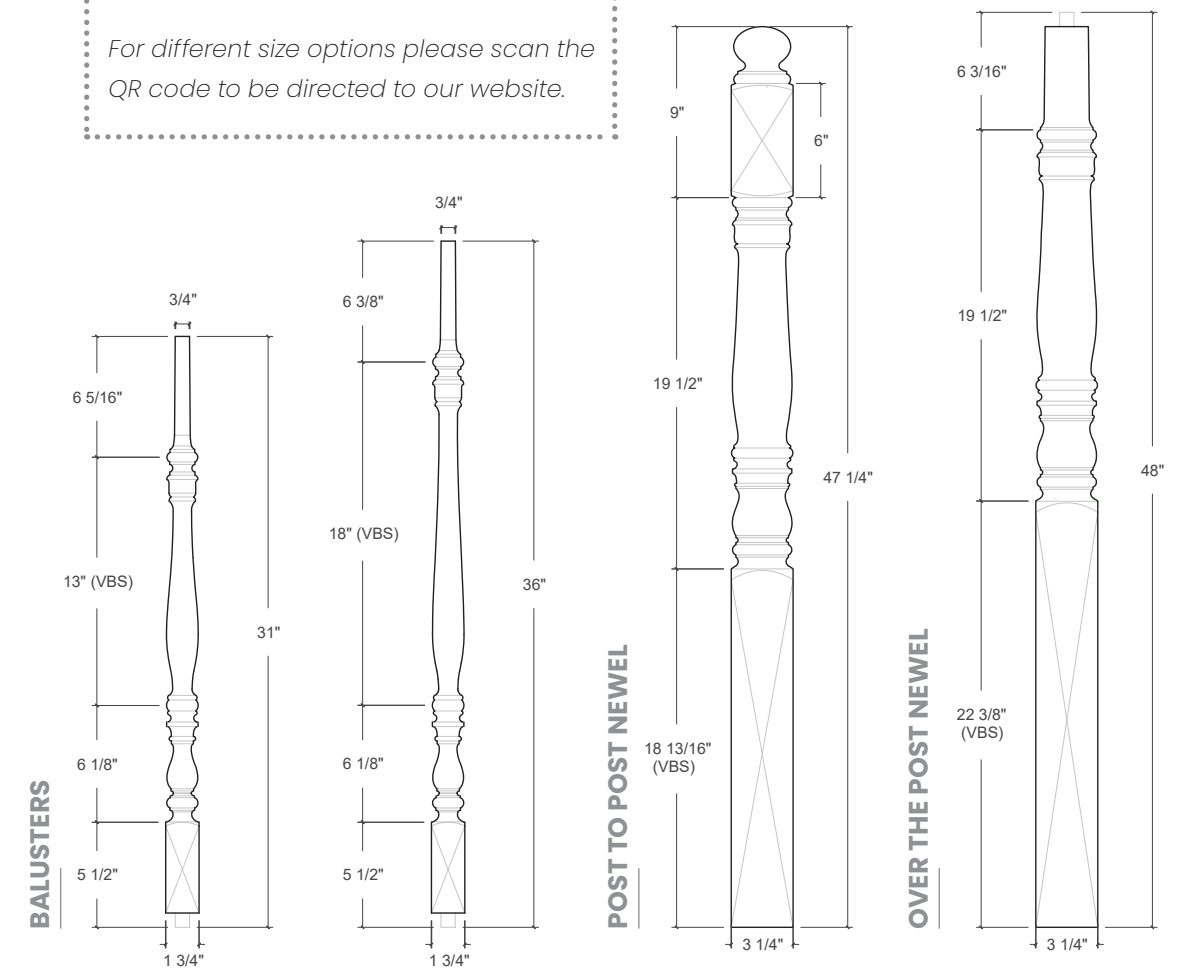


This collection's natural and relaxed aesthetics pays homage to the island of Capri and its coastal communities.

NOTICE:

VBS : VARIES BY SIZE

For different size options please scan the QR code to be directed to our website.



CASA BLANCA COLLECTION



CASA BLANCA COLLECTION | TRADITIONAL

The authentic design of the plain Casa Blanca collection is sure to embrace your stairs.

DESIGN INSPIRATION



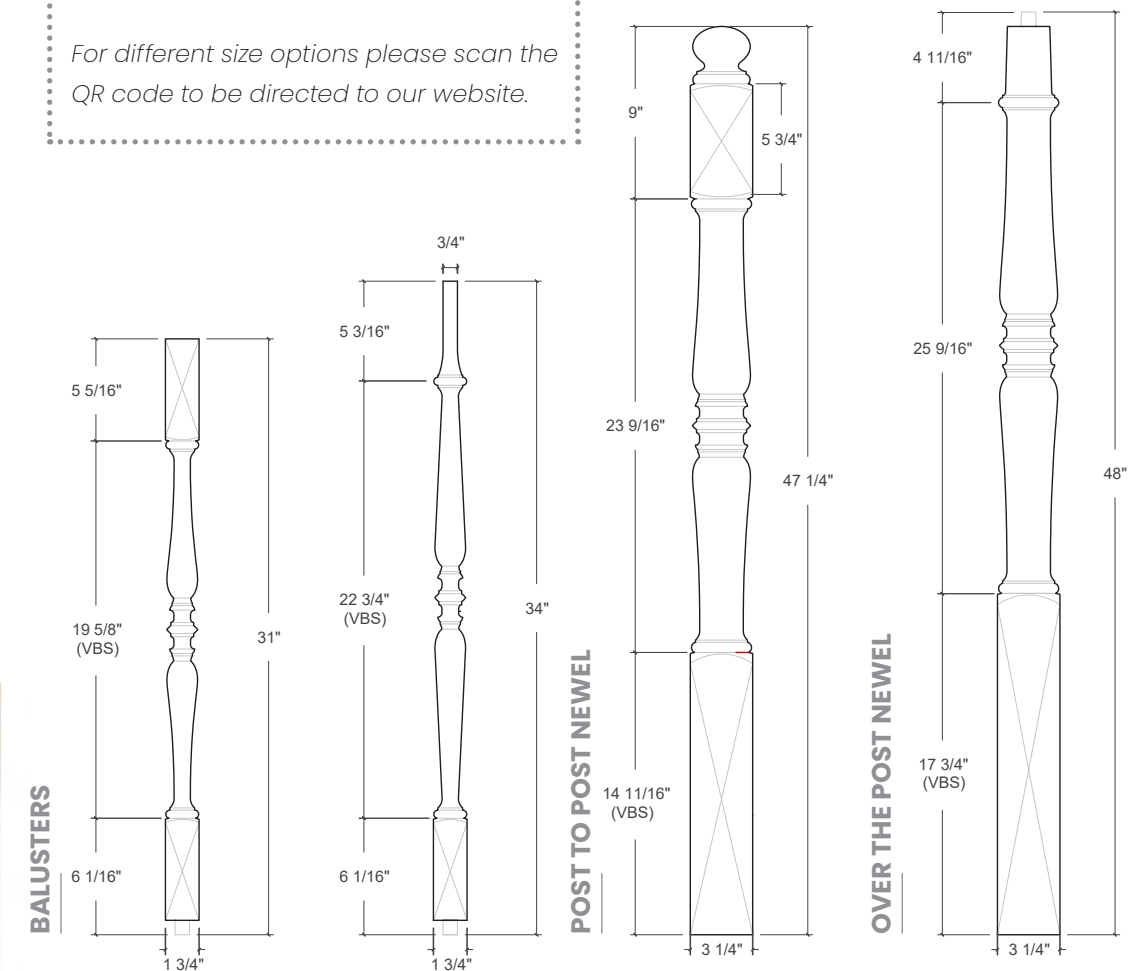
This design derives from the elegant and powerful architecture of the White House.

NOTICE:

VBS : VARIES BY SIZE

For different size options please scan the QR code to be directed to our website.

GOD BLESS THE USA



For more information on available options for this item, please scan this QR code to be directed to our website!



CENTRAL PARK COLLECTION



For more information on available options for this item, please scan this QR code to be directed to our website!



CENTRAL PARK COLLECTION | TRADITIONAL

The exquisite design of the plain Central Park collection will add beauty to your home.

DESIGN INSPIRATION

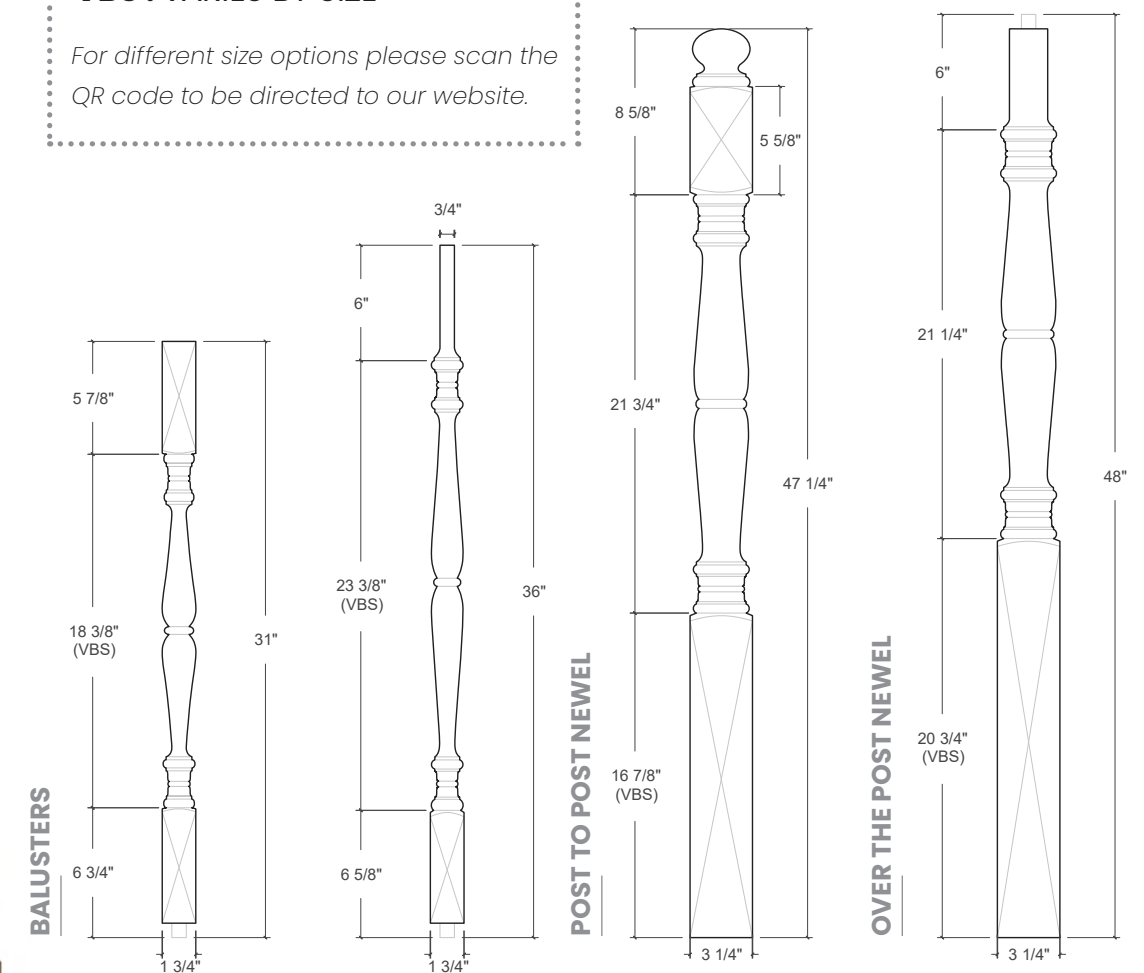


This collection is inspired by Central Park, Manhattan's famed lucious green centerpiece.

NOTICE:

VBS : VARIES BY SIZE

For different size options please scan the QR code to be directed to our website.



CHICAGO COLLECTION



For more information on available options for this item, please scan this QR code to be directed to our website!



CHICAGO COLLECTION | MODERN

The simple turning of the plain Chicago collection will give your stairs a clean and genuine design.

DESIGN INSPIRATION

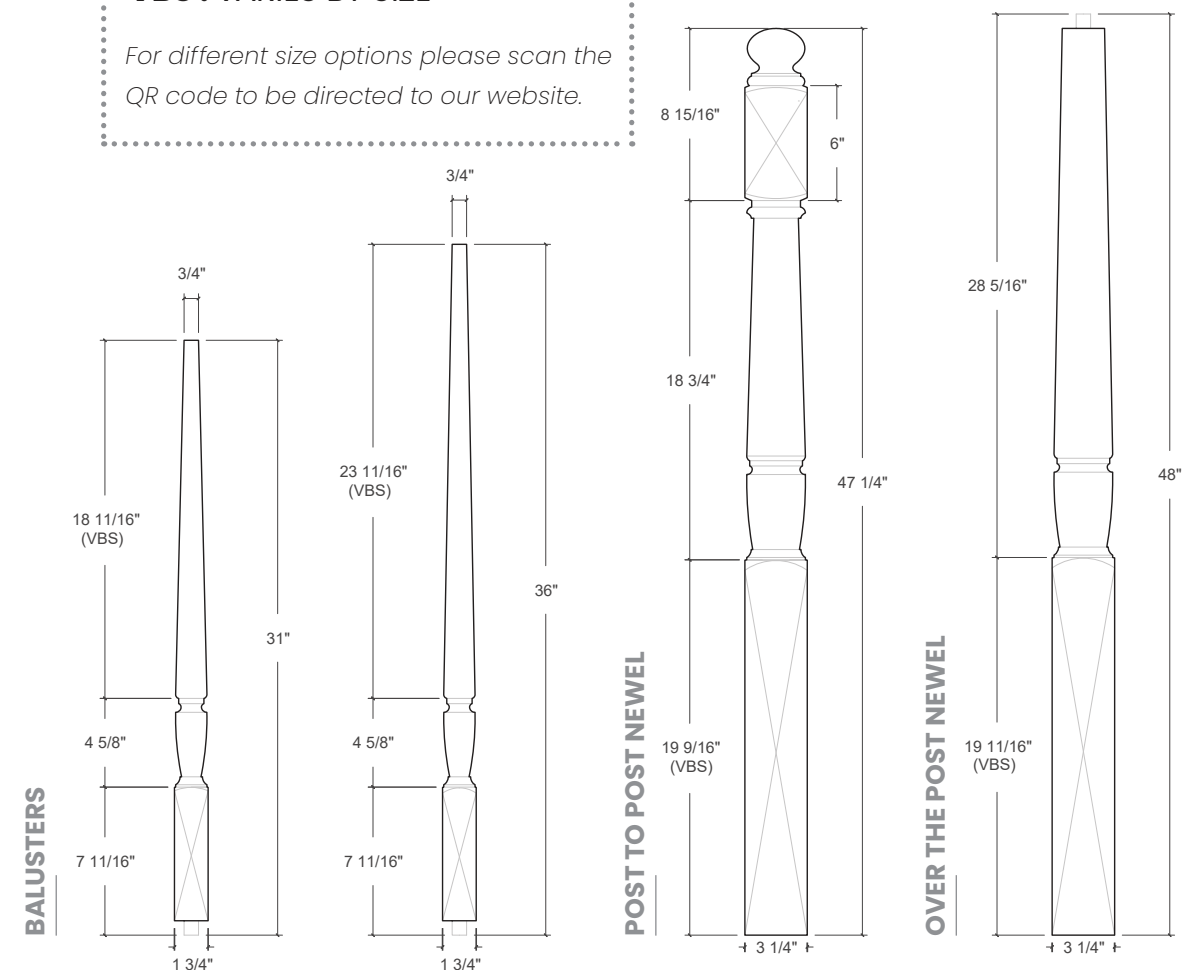


This design pays tribute to the city of Chicago, known as a haven for high end design and architecture.

NOTICE:

VBS : VARIES BY SIZE

For different size options please scan the QR code to be directed to our website.



FLUTED CHICAGO COLLECTION



For more information on available options for this item, please scan this QR code to be directed to our website!



FLUTED CHICAGO COLLECTION | MODERN

The simple turning of the fluted Chicago collection will give your stairs a clean and genuine design.

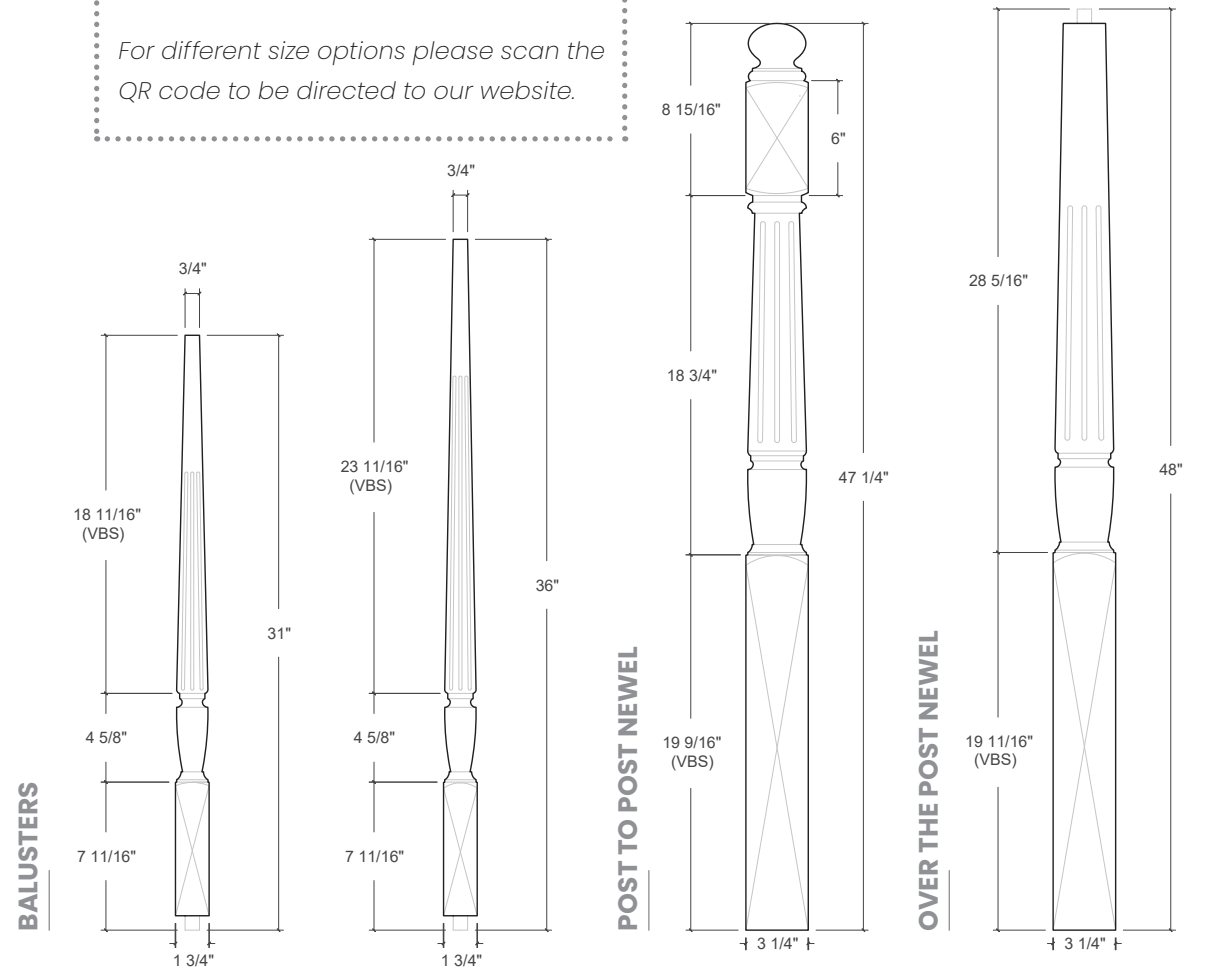
DESIGN INSPIRATION



NOTICE:

VBS : VARIES BY SIZE

For different size options please scan the QR code to be directed to our website.



COBBLE HILL COLLECTION



For more information on available options for this item, please scan this QR code to be directed to our website!



COBBLE HILL COLLECTION | ORGANIC

The simple turning of this Cobble Hill collection will give your stairs a clean and genuine design.

DESIGN INSPIRATION

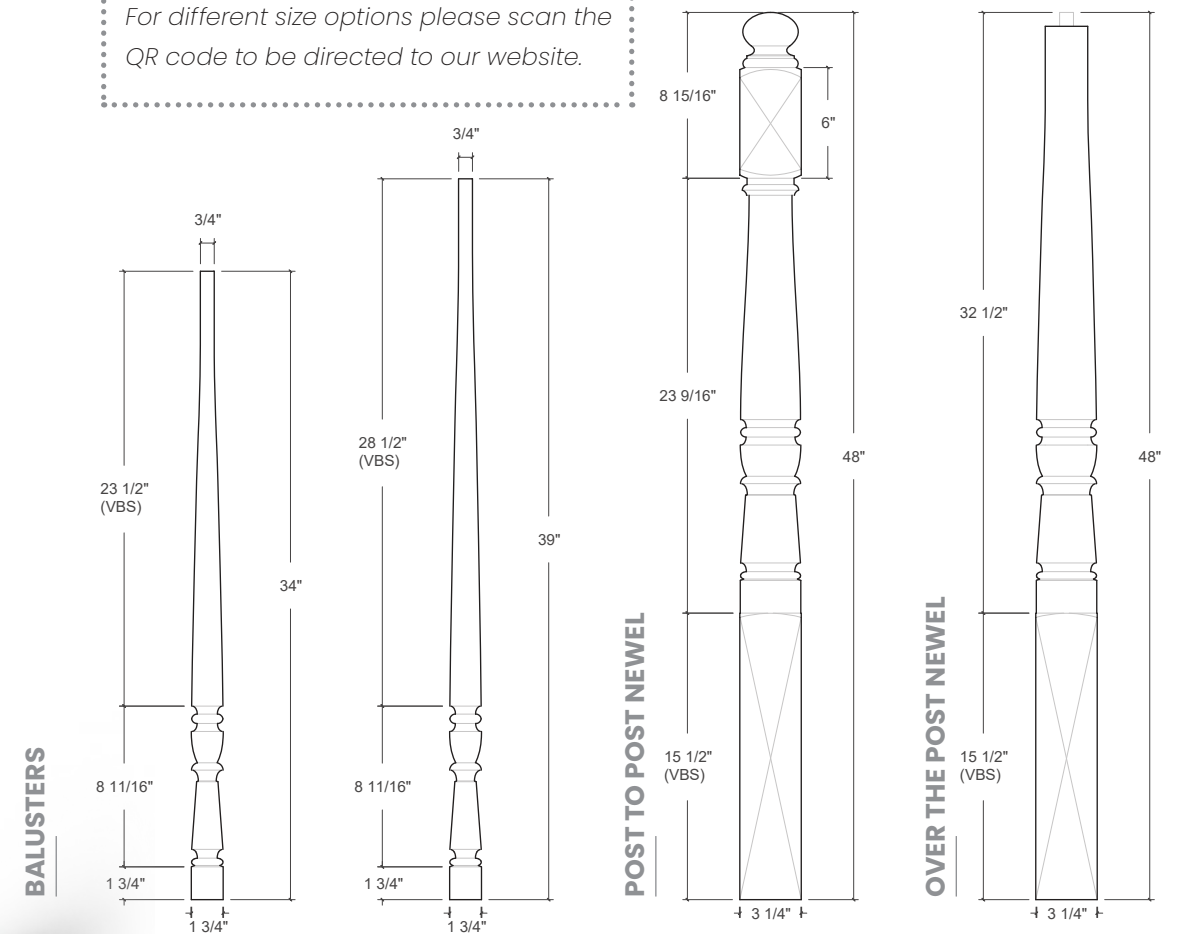


This design is inspired by the historic neighborhood of Cobble Hill in Brooklyn, New York.

NOTICE:

VBS : VARIES BY SIZE

For different size options please scan the QR code to be directed to our website.



FIFTH AVE COLLECTION



For more information on available options for this item, please scan this QR code to be directed to our website!



FIFTH AVE COLLECTION | TRADITIONAL

The simple and graceful turnings of the plain Fifth Ave collection will give your stairs the perfect traditional design.

DESIGN INSPIRATION

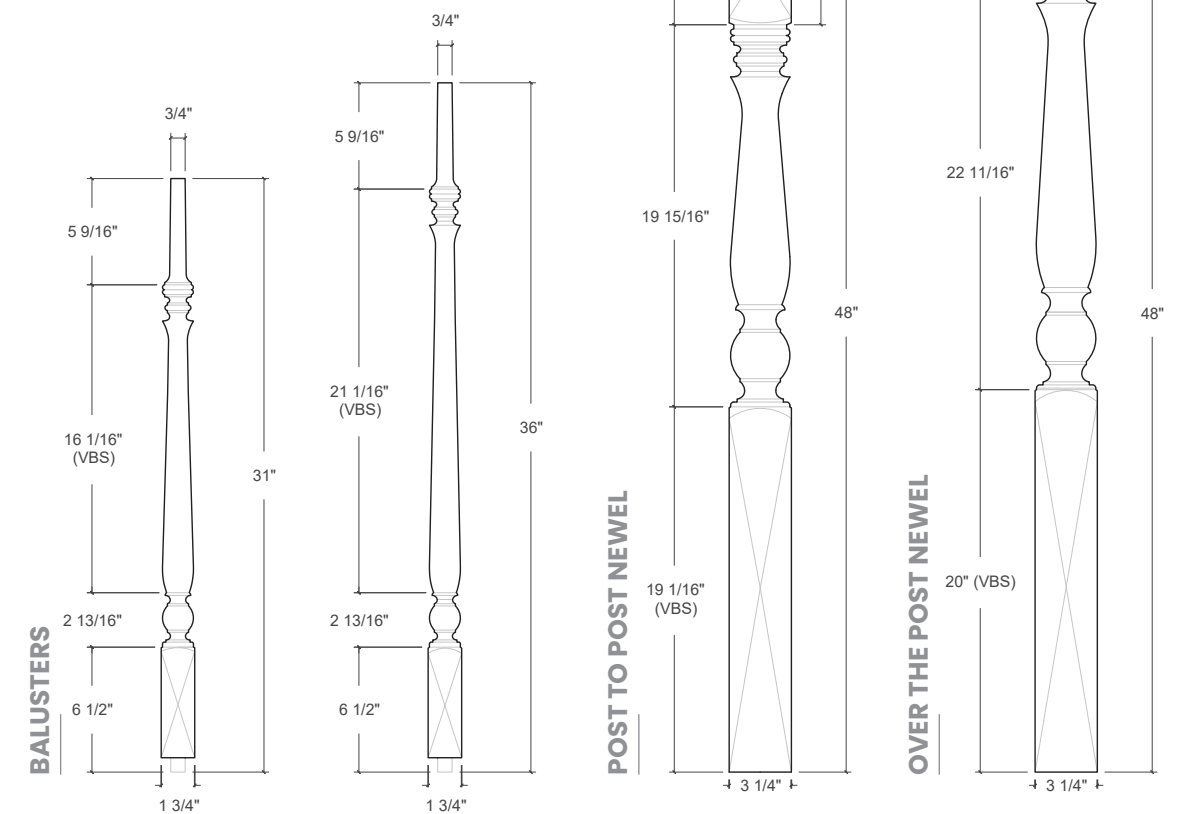


This design is inspired by Fifth Avenue, a famed shopping district located in Manhattan.

NOTICE:

VBS : VARIES BY SIZE

For different size options please scan the QR code to be directed to our website.



FIorentina Collection



For more information on available options for this item, please scan this QR code to be directed to our website!



FIorentina Collection | TRADITIONAL

The traditional design of the Florentina collection will adorn your stairs with a sophisticated look.

DESIGN INSPIRATION

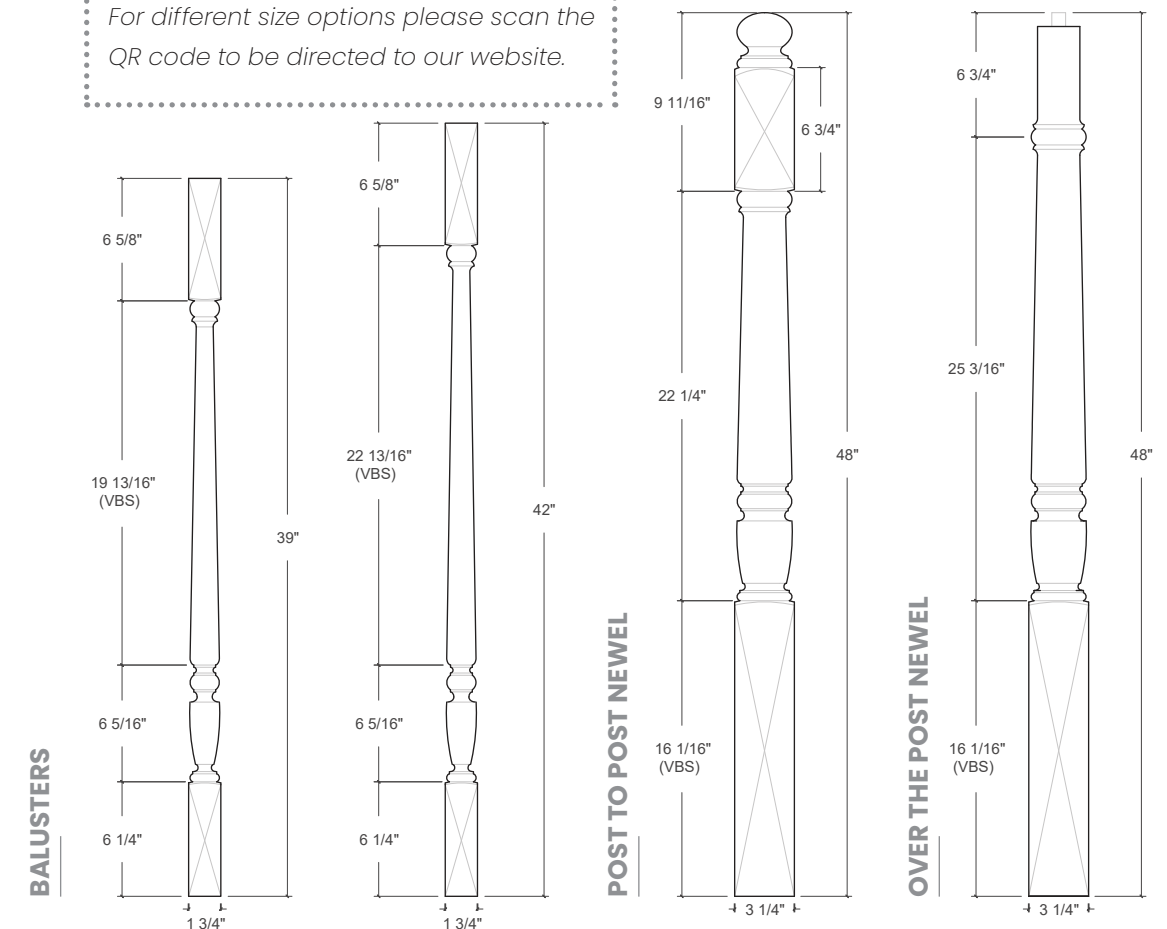


This collection is inspired by Florentine architecture.

NOTICE:

VBS : VARIES BY SIZE

For different size options please scan the QR code to be directed to our website.



FREEDOM COLLECTION



For more information on available options for this item, please scan this QR code to be directed to our website!



FREEDOM COLLECTION | MODERN

The Freedom collection will give your home a simple yet beautiful and modern design.

DESIGN INSPIRATION

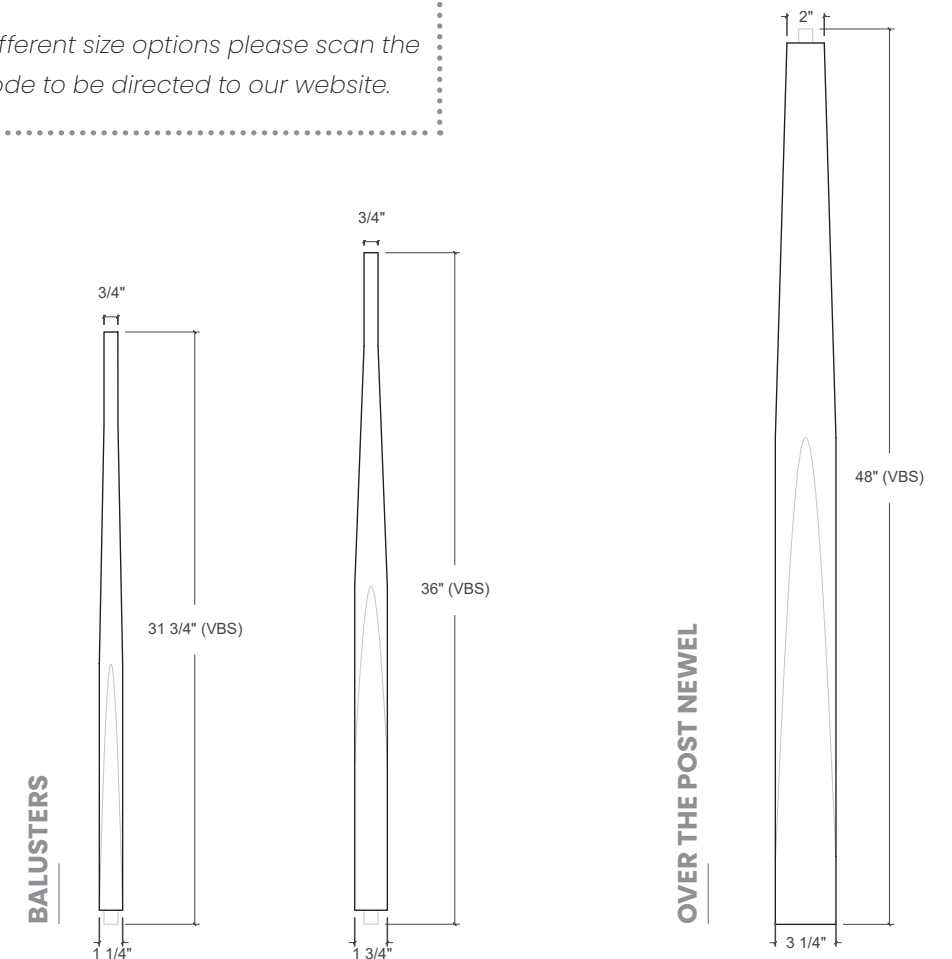


This design is influenced by the facets found in the architecture of One World Trade, located in New York City.

NOTICE:

VBS : VARIES BY SIZE

For different size options please scan the QR code to be directed to our website.



GOLDEN GATE COLLECTION



For more information on available options for this item, please scan this QR code to be directed to our website!



GOLDEN GATE COLLECTION | MODERN

This one of a kind plain Golden Gate collection will add a unique design for your stairs.

DESIGN INSPIRATION

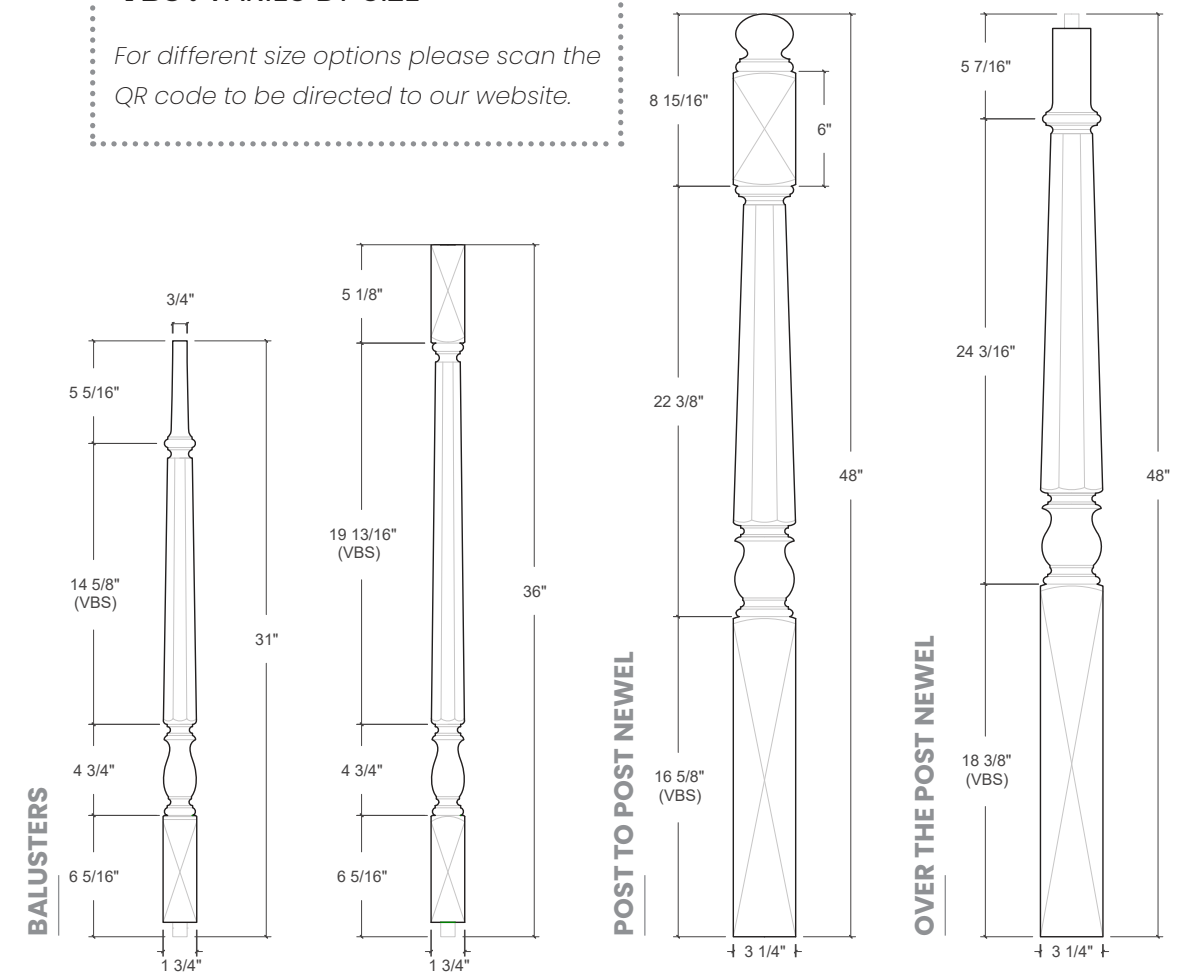


This faceted design is heavily inspired by the industrial design of the Golden Gate bridge in San Francisco.

NOTICE:

VBS : VARIES BY SIZE

For different size options please scan the QR code to be directed to our website.



HAMPTON BAY COLLECTION



For more information on available options for this item, please scan this QR code to be directed to our website!



HAMPTON BAY COLLECTION | MODERN

The unique design of the Hampton Bay collection is sure to give your stairs a modern appearance.

DESIGN INSPIRATION

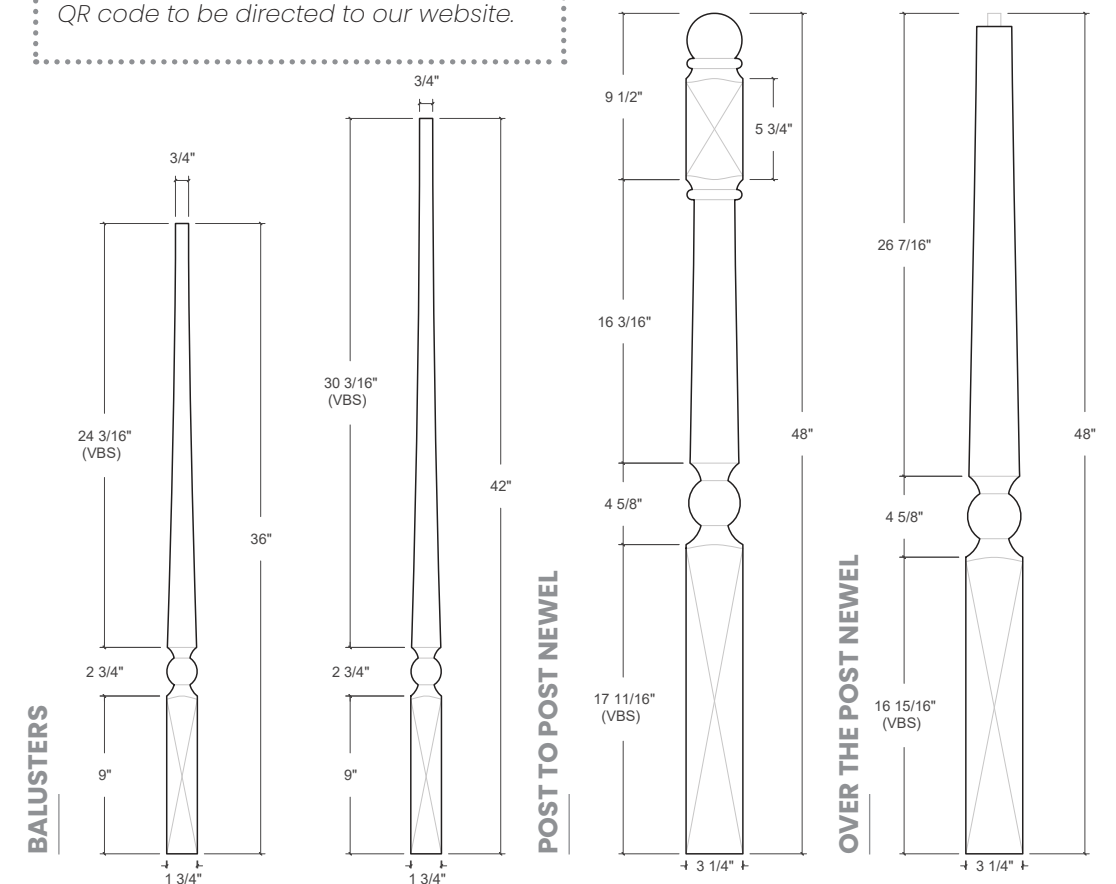


This design is inspired by the beach front communities of Hampton Bays in Long Island, New York.

NOTICE:

VBS : VARIES BY SIZE

For different size options please scan the QR code to be directed to our website.



MANCHESTER COLLECTION



For more information on available options for this item, please scan this QR code to be directed to our website!



MANCHESTER COLLECTION | TRADITIONAL

The plain Manchester collection will adorn your stairs with a sophisticated look.

DESIGN INSPIRATION

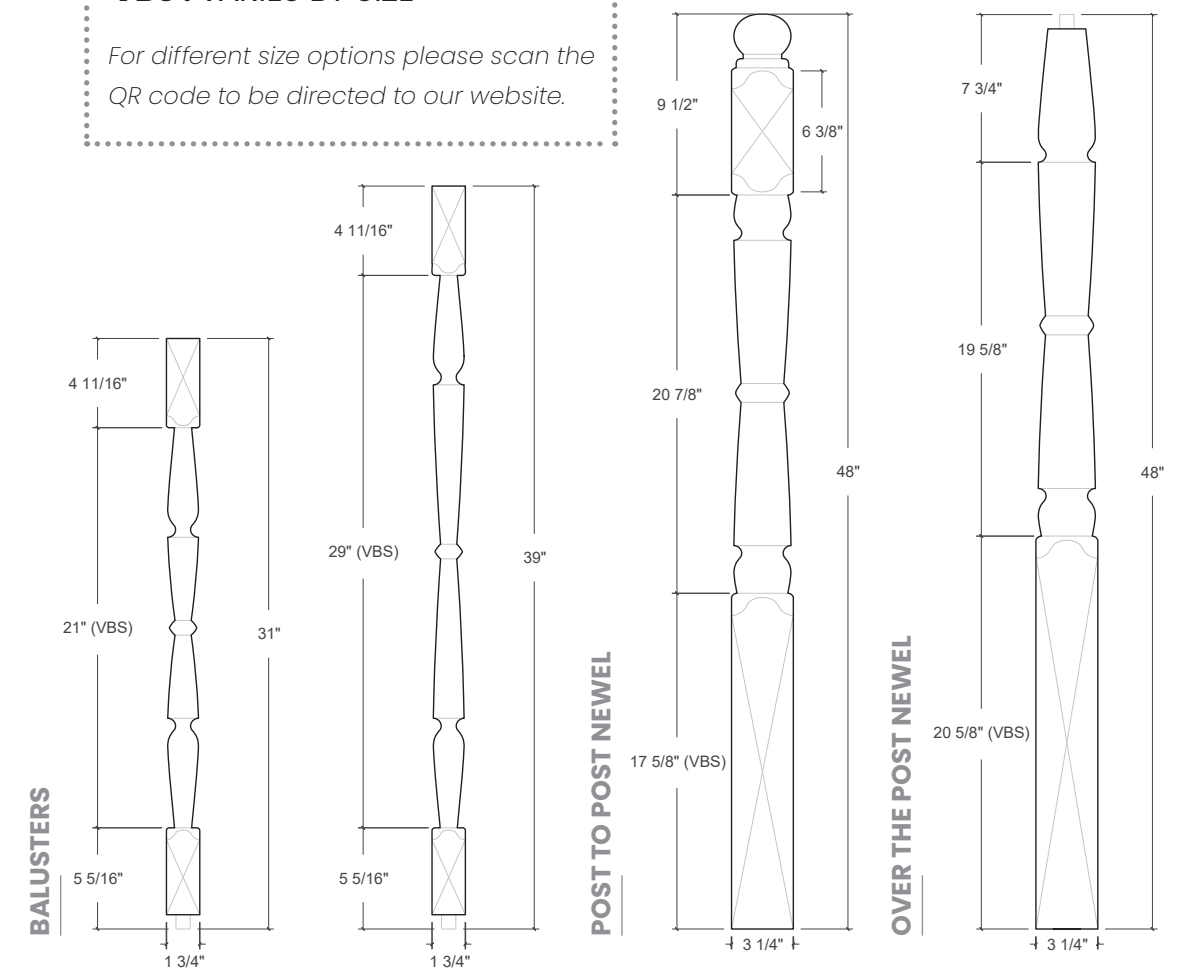


This design is inspired by the city of Manchester in the United Kingdom.

NOTICE:

VBS : VARIES BY SIZE

For different size options please scan the QR code to be directed to our website.



**REEDED
MANCHESTER COLLECTION**



For more information on available options for this item, please scan this QR code to be directed to our website!



**REEDED
MANCHESTER COLLECTION | TRADITIONAL**

The Manchester collection with a reeded carving will adorn your stairs with a sophisticated look.

DESIGN INSPIRATION

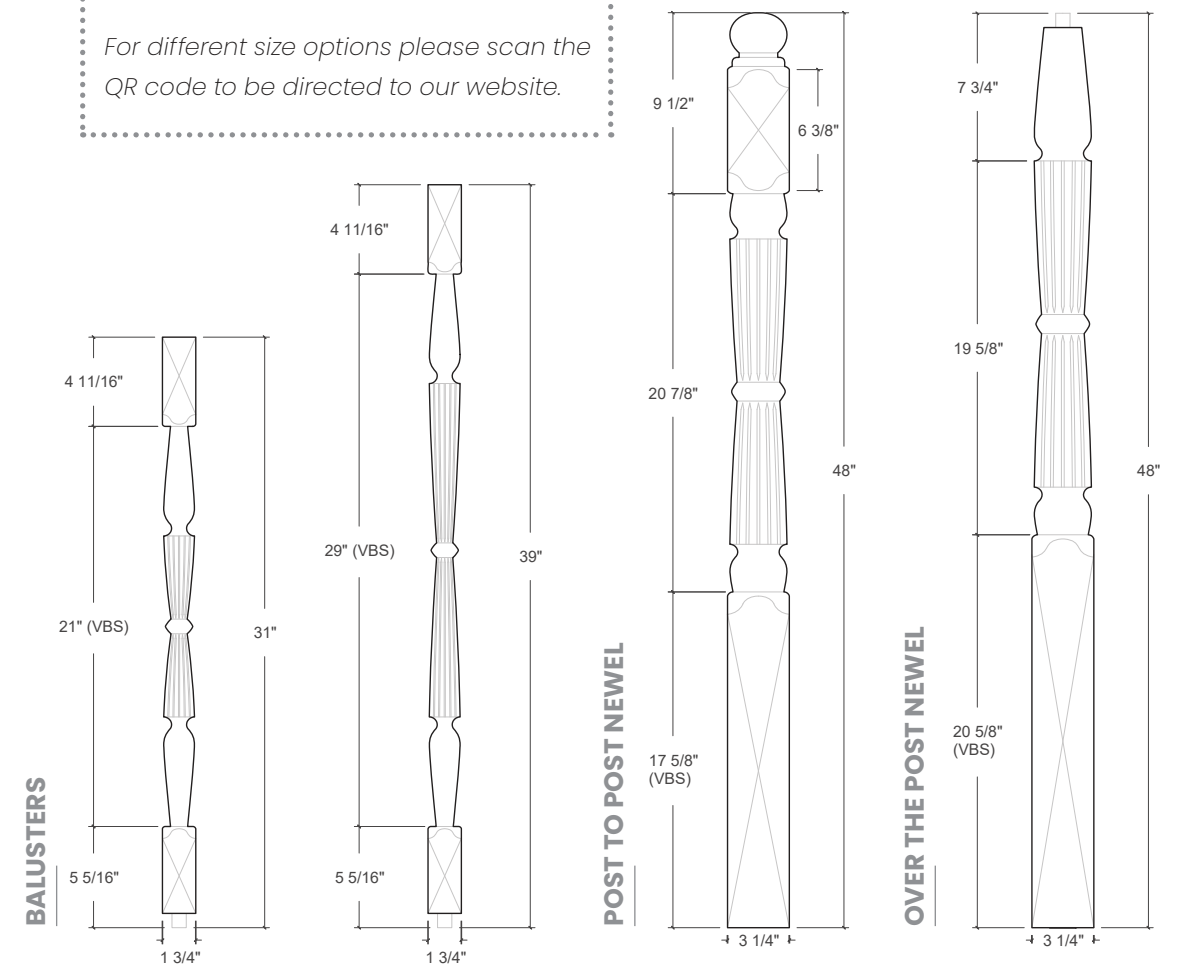


This design is inspired by the city of Manchester in the United Kingdom.

NOTICE:

VBS : VARIES BY SIZE

For different size options please scan the QR code to be directed to our website.



MILANO COLLECTION



For more information on available options for this item, please scan this QR code to be directed to our website!



MILANO COLLECTION | ORGANIC

The plain Milano collection will adorn your stairs with a sophisticated look.

DESIGN INSPIRATION

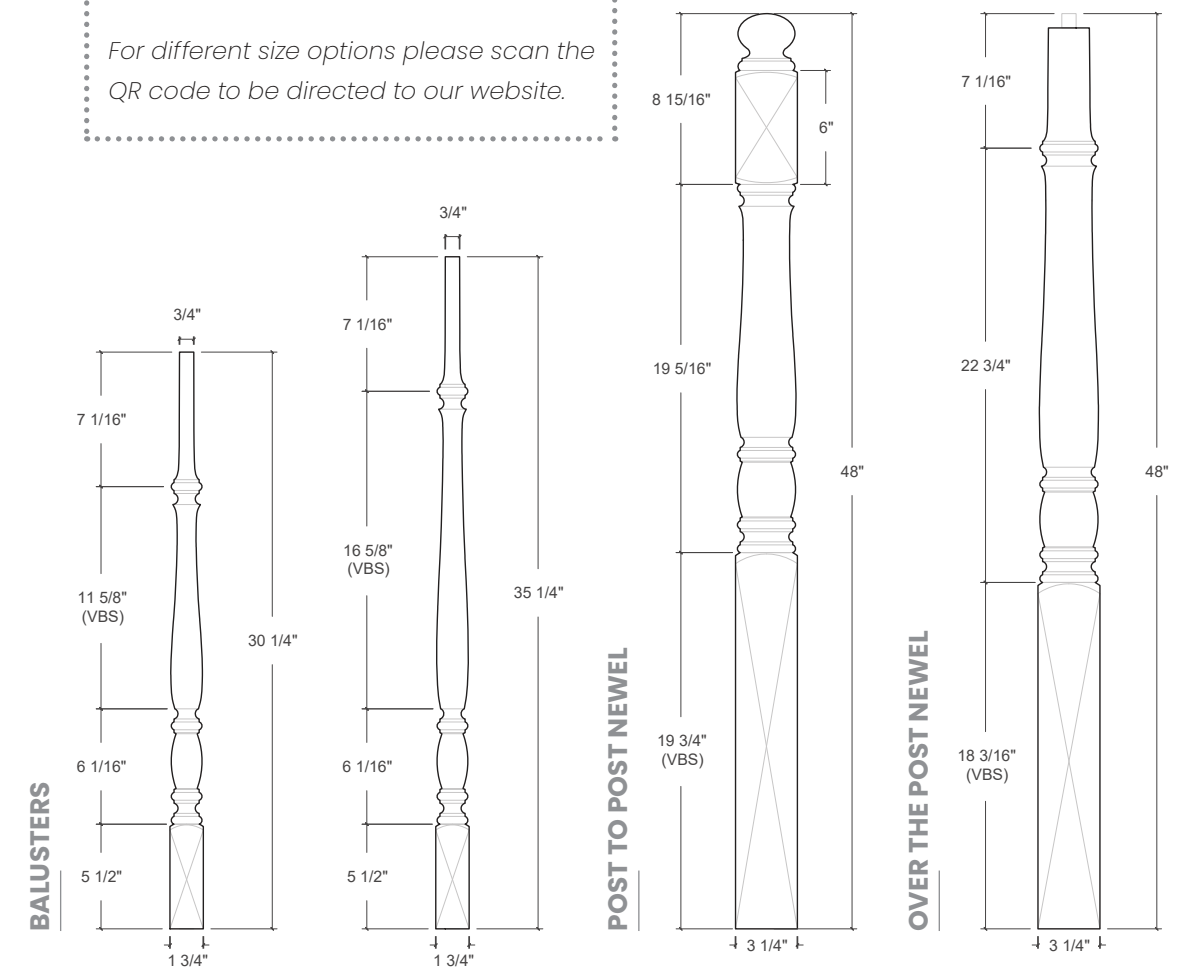


This design is influenced by the adorning architecture found in the city of Milan.

NOTICE:

VBS : VARIES BY SIZE

For different size options please scan the QR code to be directed to our website.



MONTE CARLO COLLECTION



For more information on available options for this item, please scan this QR code to be directed to our website!



MONTE CARLO COLLECTION | ORGANIC

The elegant design of the plain Monte Carlo collection will flatter any architectural design.

DESIGN INSPIRATION

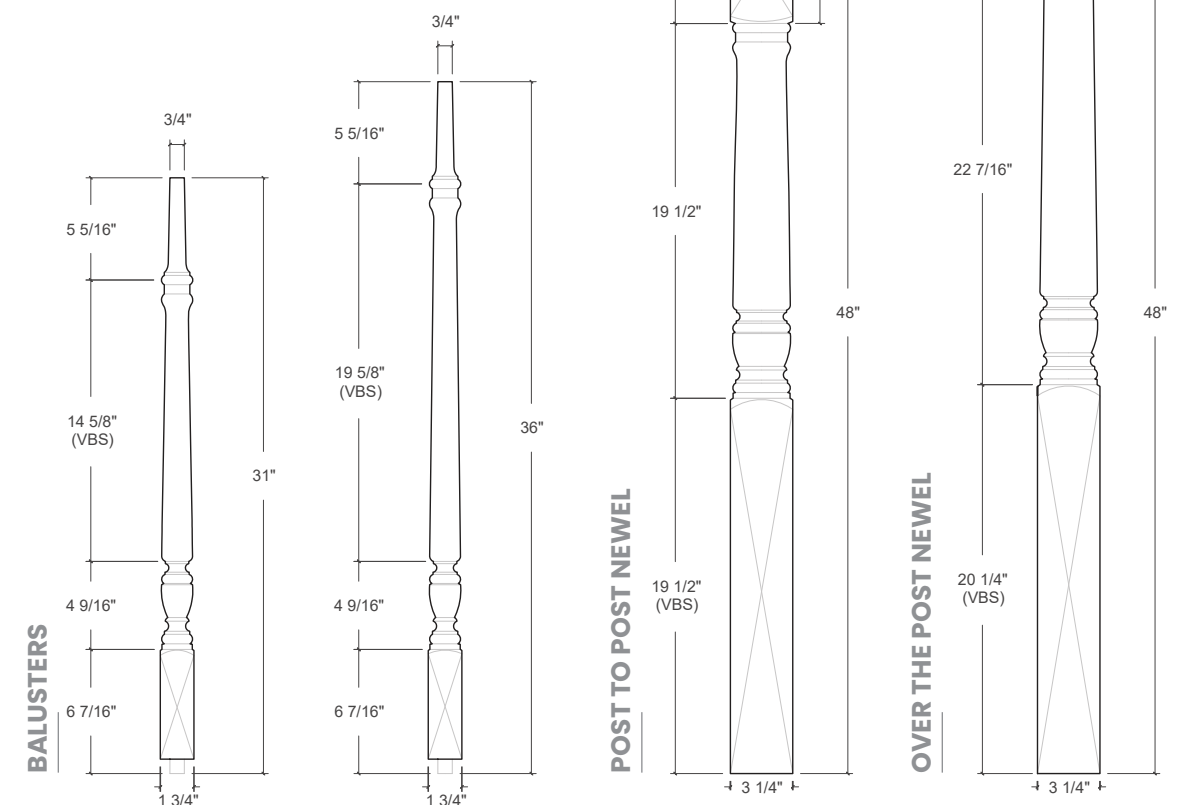


This collection was designed in light of the Grand Prix held in luxurious Monaco. Its form is inspired by the aerodynamics of the F1 cars.

NOTICE:

VBS : VARIES BY SIZE

For different size options please scan the QR code to be directed to our website.



NAPOLEON COLLECTION



For more information on available options for this item, please scan this QR code to be directed to our website!



NAPOLEON COLLECTION | TRADITIONAL

The elaborate detail of the Napoleon collection with a barley twist carving will give your home a touch of elegance.

DESIGN INSPIRATION

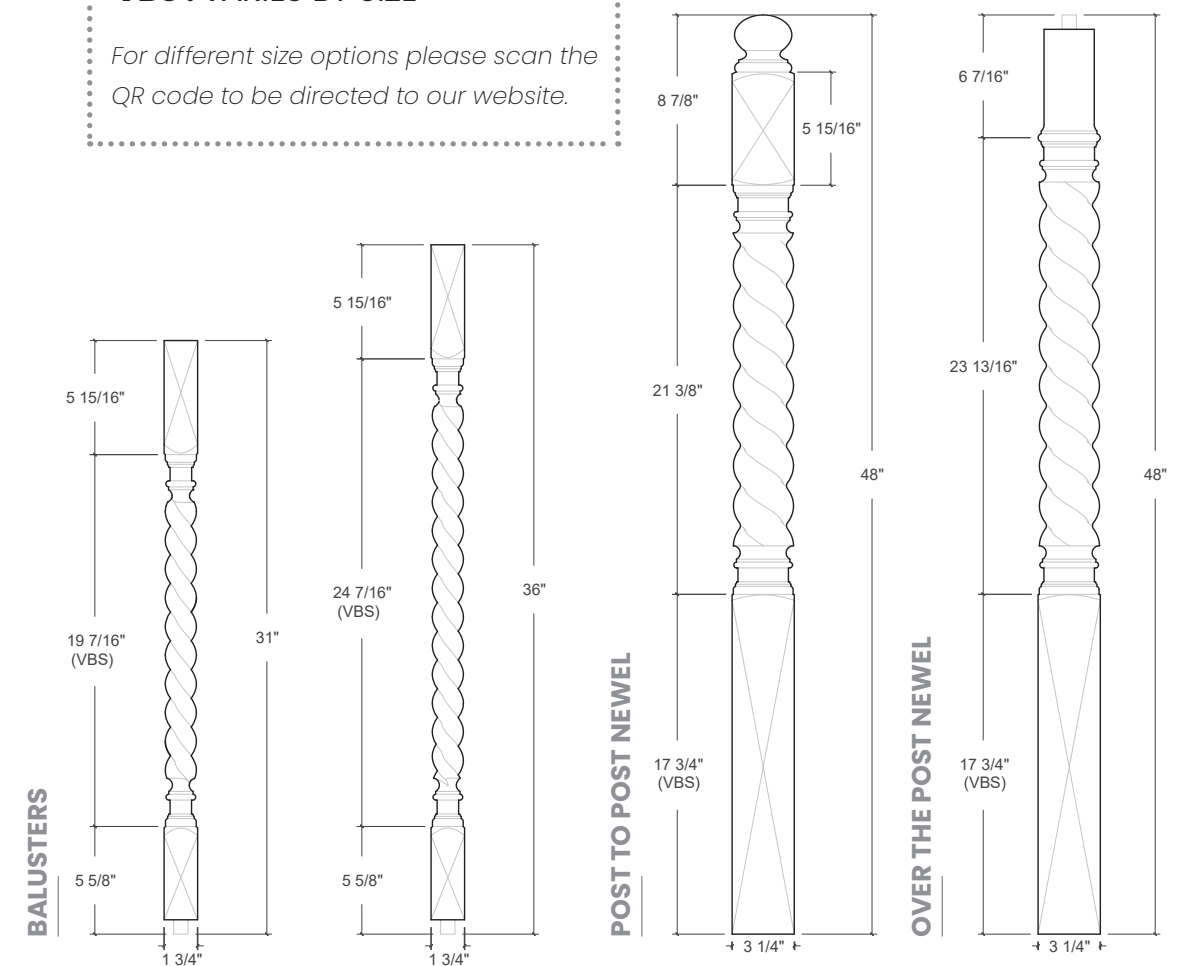


This design takes elements from solomonic columns which date back hundreds of years. This style is commonly associated with Victorian era homes.

NOTICE:

VBS : VARIES BY SIZE

For different size options please scan the QR code to be directed to our website.



NEW YORK COLLECTION



For more information on available options for this item, please scan this QR code to be directed to our website!



NEW YORK COLLECTION | MODERN

The stylish detail of the plain New York collection will give your home a modern look.

DESIGN INSPIRATION

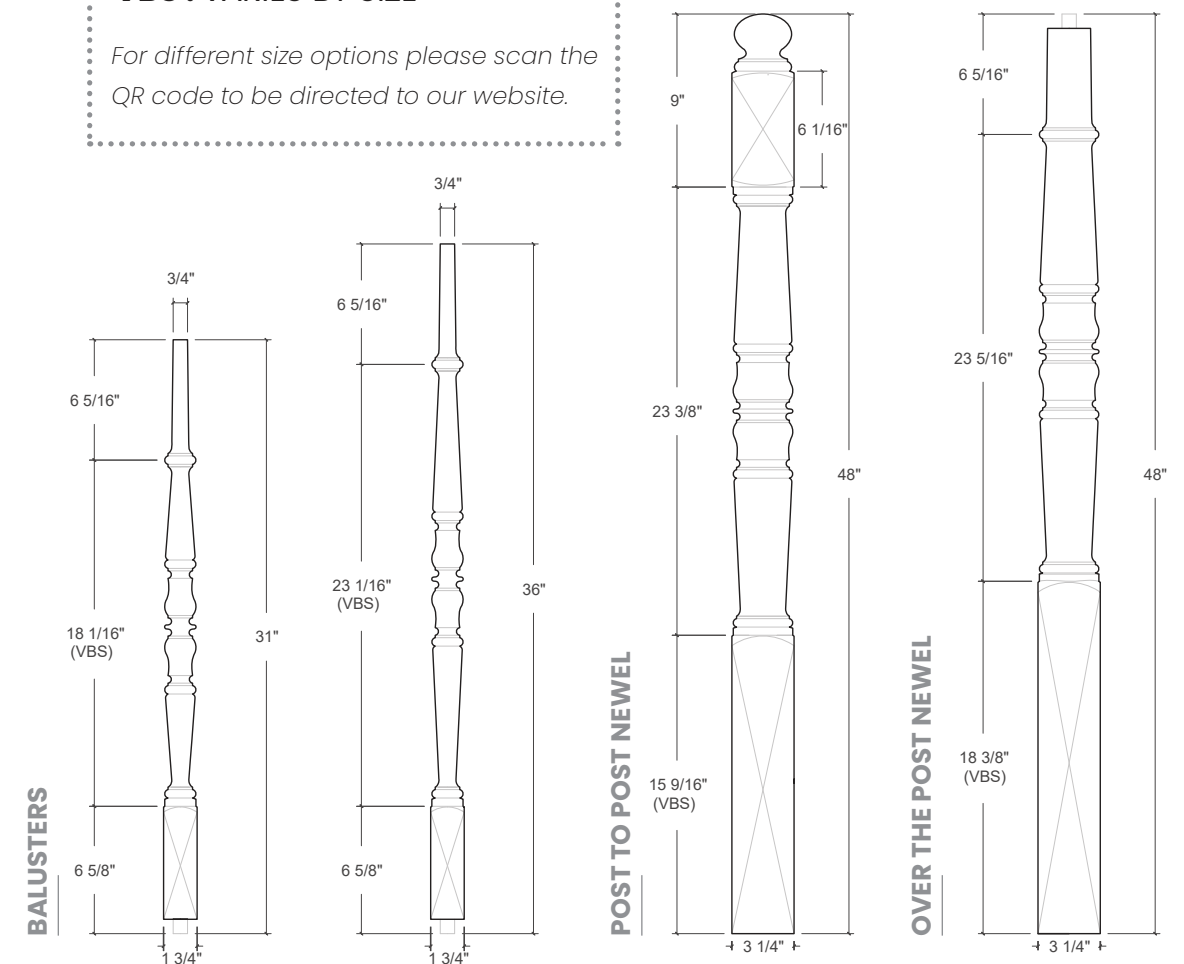


This design is inspired by New York City's skyline and their spires.

NOTICE:

VBS : VARIES BY SIZE

For different size options please scan the QR code to be directed to our website.



REEDED NEW YORK COLLECTION



For more information on available options for this item, please scan this QR code to be directed to our website!



REEDED NEW YORK COLLECTION | MODERN

The stylish detail of the New York collection with a reeded carving will give your home a modern look.

DESIGN INSPIRATION

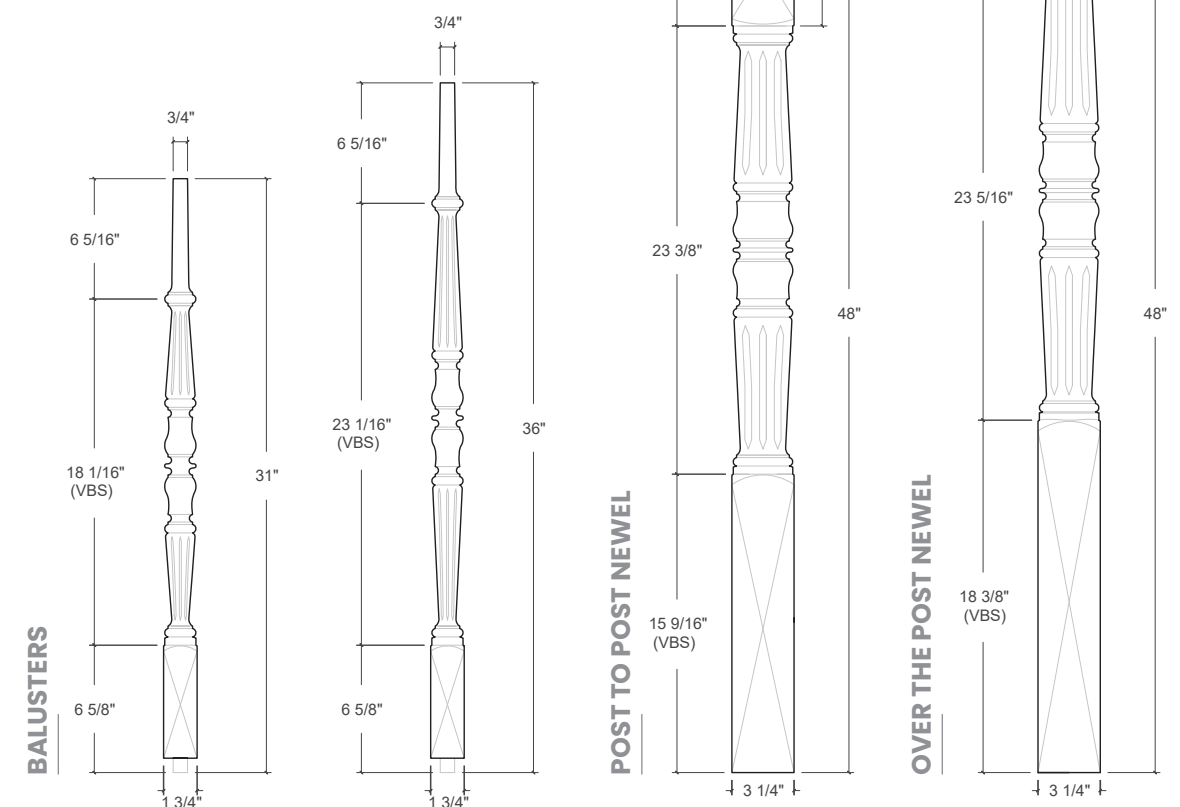


This design is inspired by New York City's skyline and their spires.

NOTICE:

VBS : VARIES BY SIZE

For different size options please scan the QR code to be directed to our website.



PARIS COLLECTION



For more information on available options for this item, please scan this QR code to be directed to our website!



PARIS COLLECTION | TRADITIONAL

The delicate detail of the plain Paris collection will harmonize with any architectural style.

DESIGN INSPIRATION

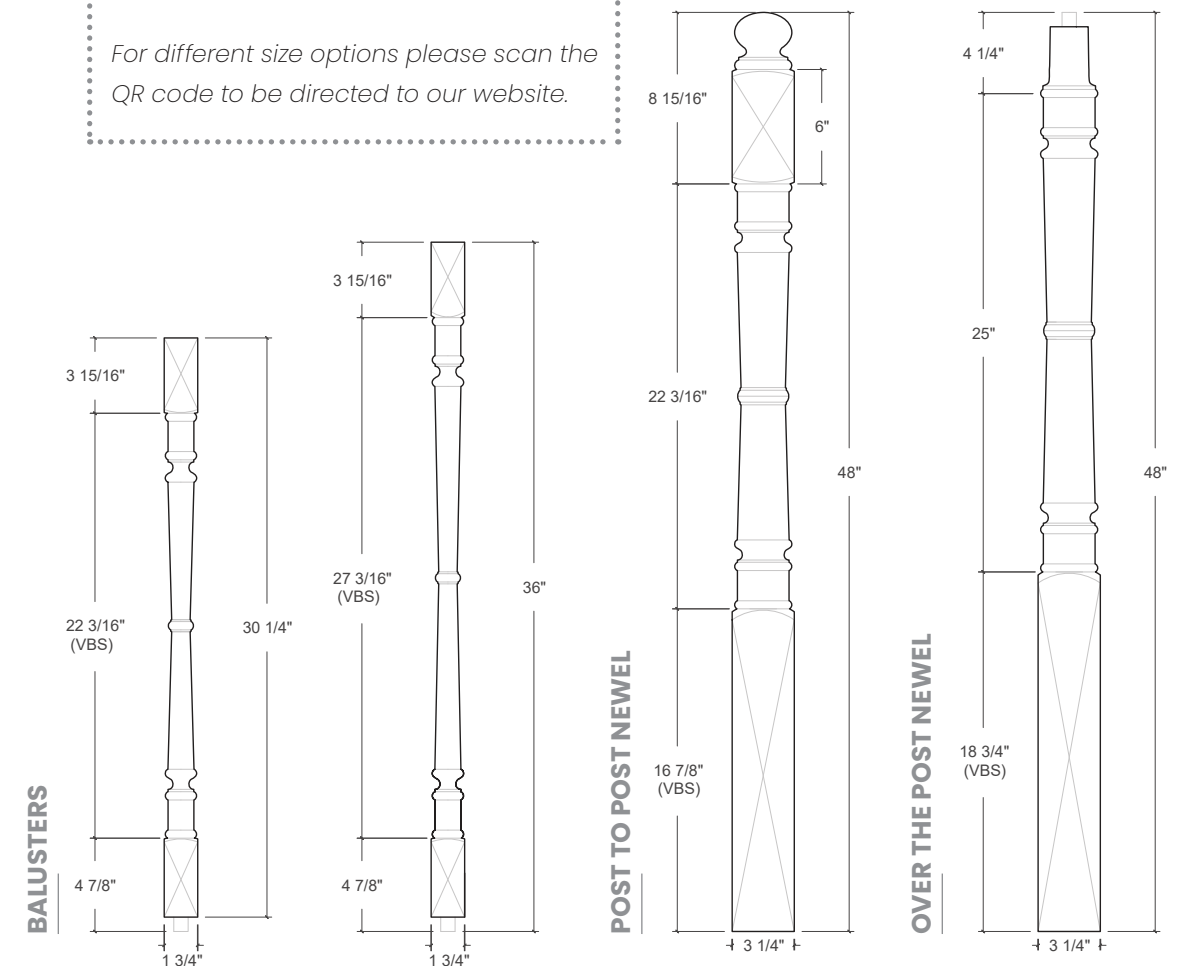


This collection was created using elements of Parisian Interior design.

NOTICE:

VBS : VARIES BY SIZE

For different size options please scan the QR code to be directed to our website.



PARK AVE COLLECTION



For more information on available options for this item, please scan this QR code to be directed to our website!



PARK AVE COLLECTION | ORGANIC

The individual detail of the plain Park Ave collection will add beauty to your home.

DESIGN INSPIRATION

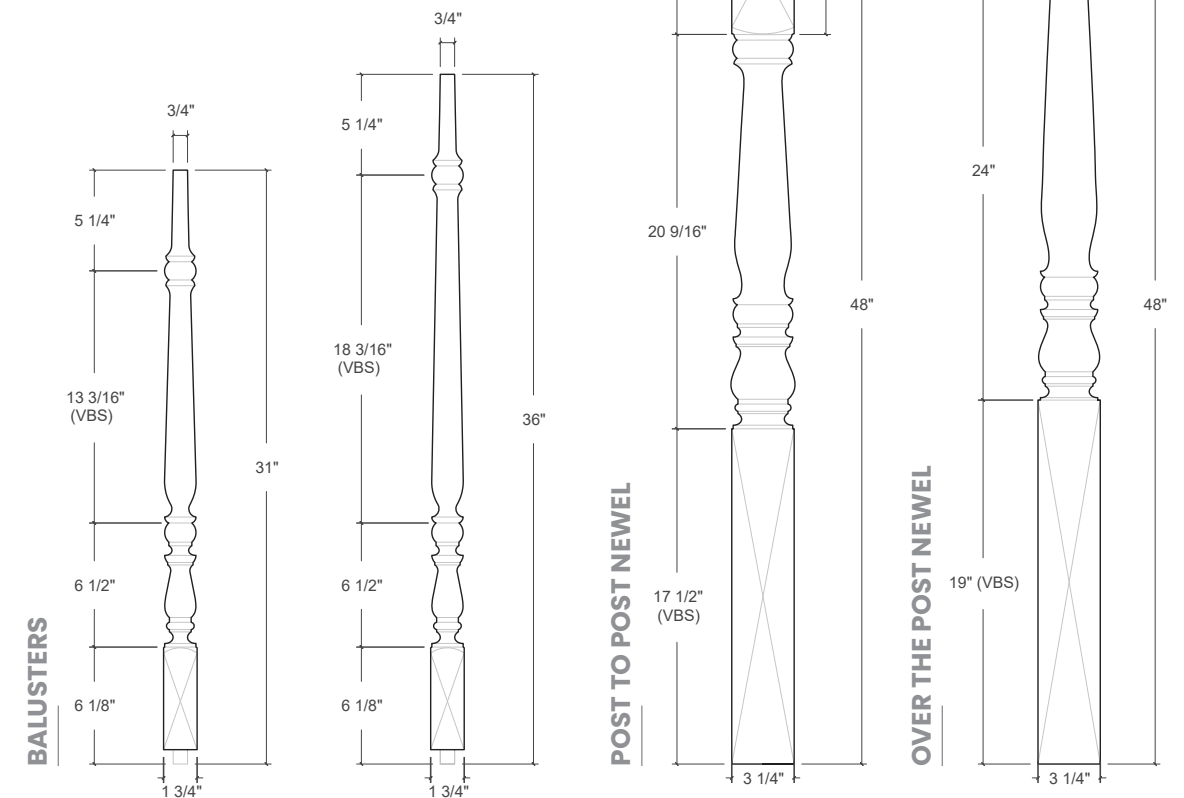


This turning is designed after the historic boulevard which connects the North and South of Manhattan.

NOTICE:

VBS : VARIES BY SIZE

For different size options please scan the QR code to be directed to our website.



REEDED PARK AVE COLLECTION



For more information on available options for this item, please scan this QR code to be directed to our website!



REEDED PARK AVE COLLECTION | ORGANIC

The individual detail of the Park Ave collection with a reeded carving will add beauty to your home.

DESIGN INSPIRATION

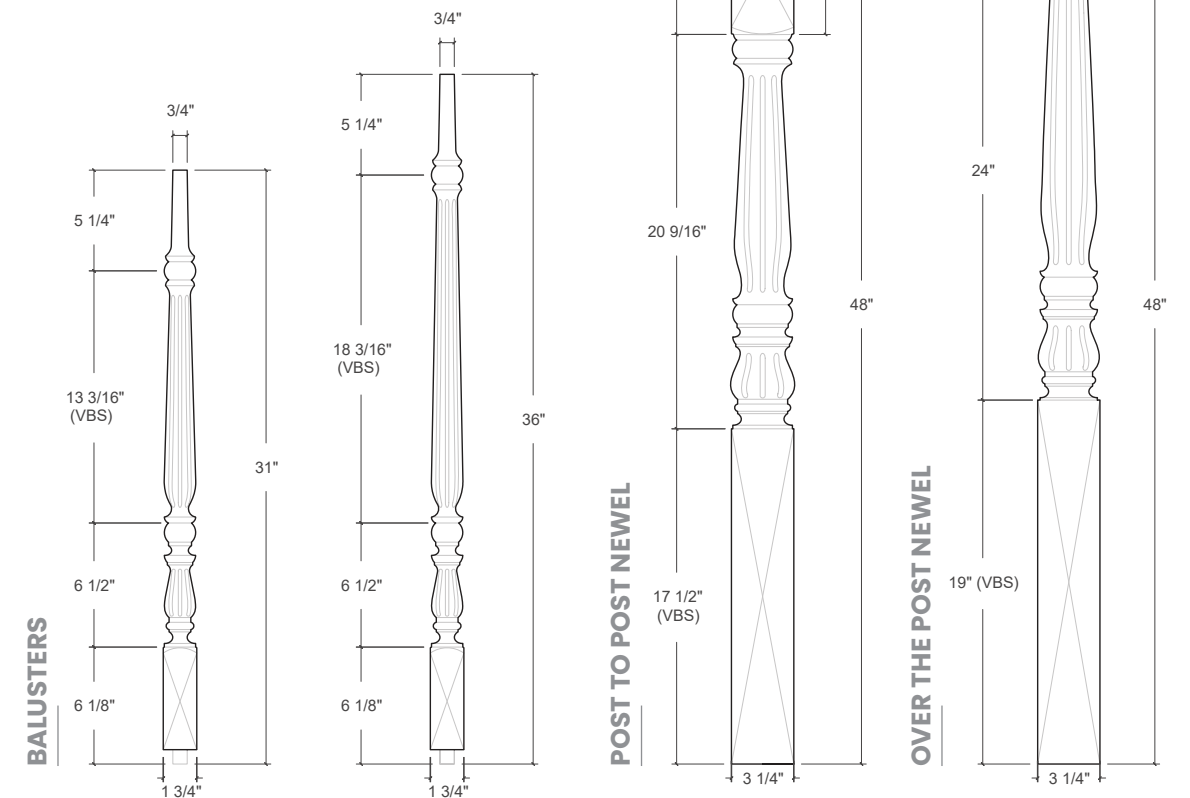


This turning is designed after the historic boulevard which connects the North and South of Manhattan.

NOTICE:

VBS : VARIES BY SIZE

For different size options please scan the QR code to be directed to our website.



TROPICANA COLLECTION



For more information on available options for this item, please scan this QR code to be directed to our website!



TROPICANA COLLECTION | ORGANIC

The delicate design of the plain Tropicana collection will adorn your stairs with a touch of elegance.

DESIGN INSPIRATION

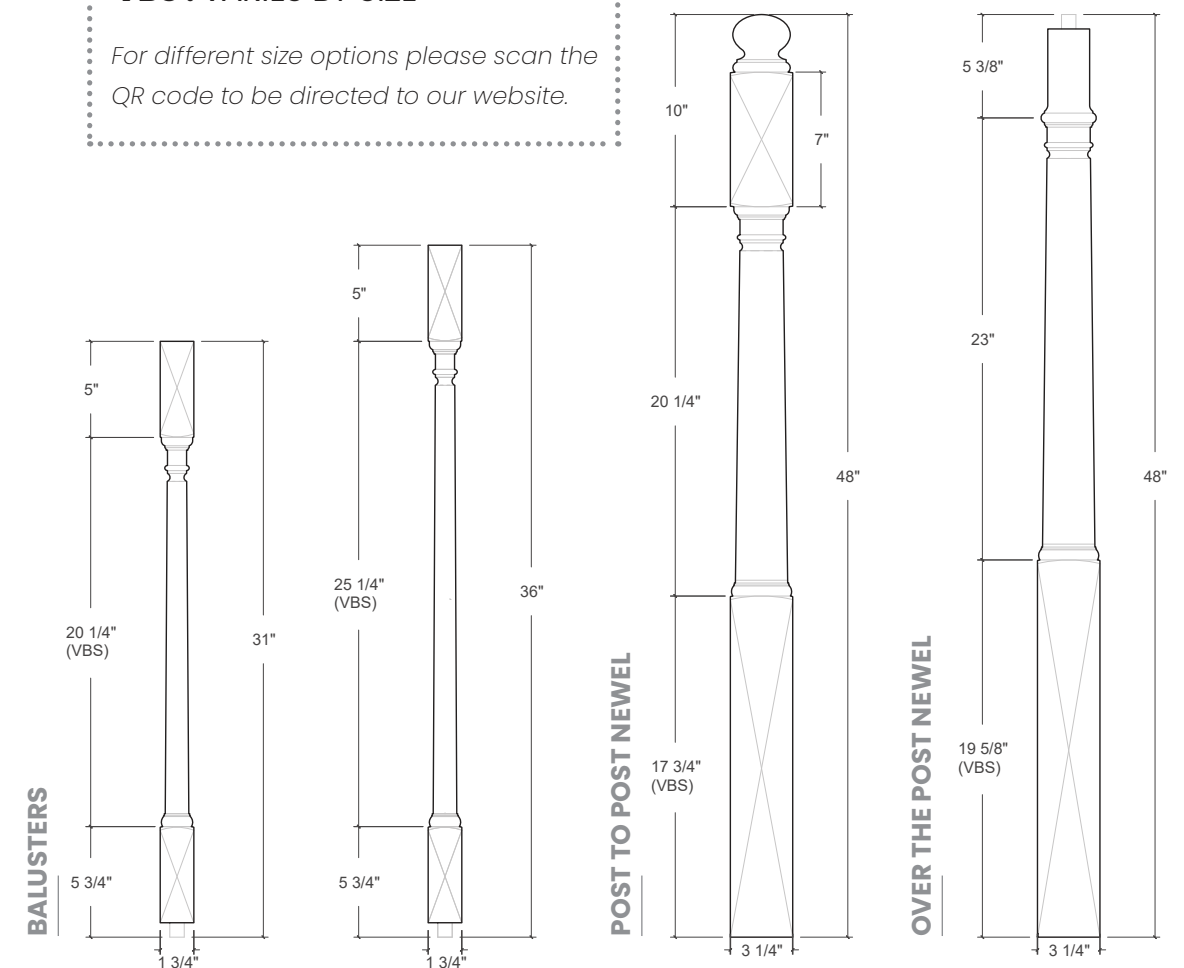


This style is designed to invoke the tropics of the Florida Keys.

NOTICE:

VBS : VARIES BY SIZE

For different size options please scan the QR code to be directed to our website.



FLUTED TROPICANA COLLECTION



For more information on available options for this item, please scan this QR code to be directed to our website!



FLUTED TROPICANA COLLECTION | ORGANIC

The delicate design of the fluted Tropicana collection will adorn your stairs with a touch of elegance.

DESIGN INSPIRATION

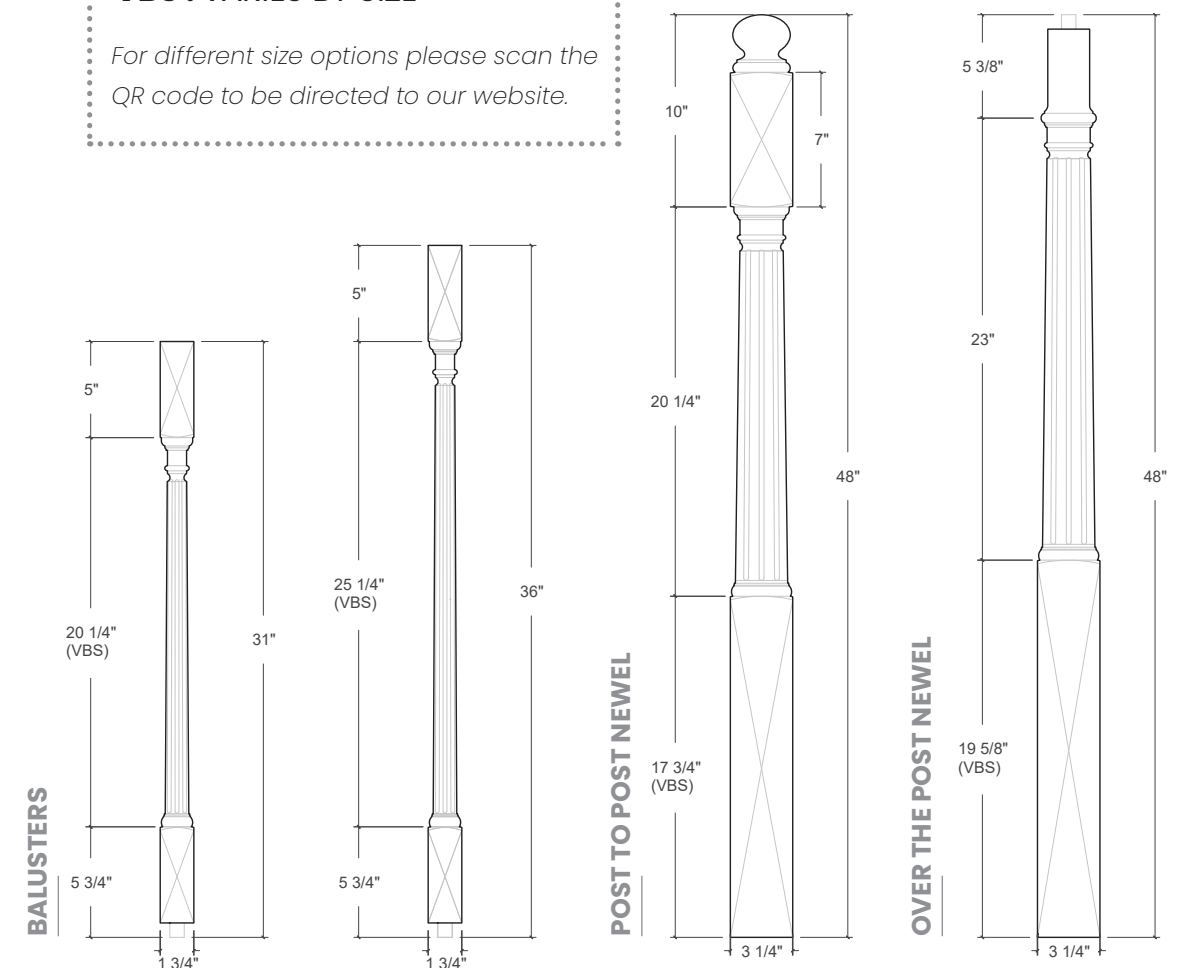


This style is designed to invoke the tropics of the Florida Keys.

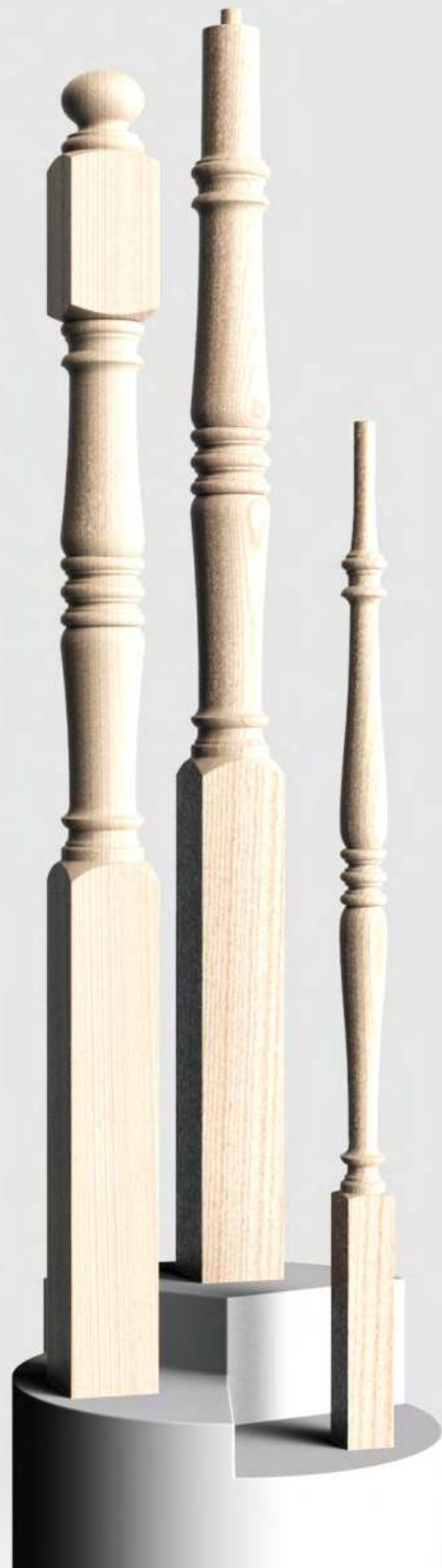
NOTICE:

VBS : VARIES BY SIZE

For different size options please scan the QR code to be directed to our website.



VENICE COLLECTION



For more information on available options for this item, please scan this QR code to be directed to our website!



VENICE COLLECTION | TRADITIONAL

The classical and traditional design of the plain Venice collection will add the finishing look with its simple and graceful turnings.

DESIGN INSPIRATION

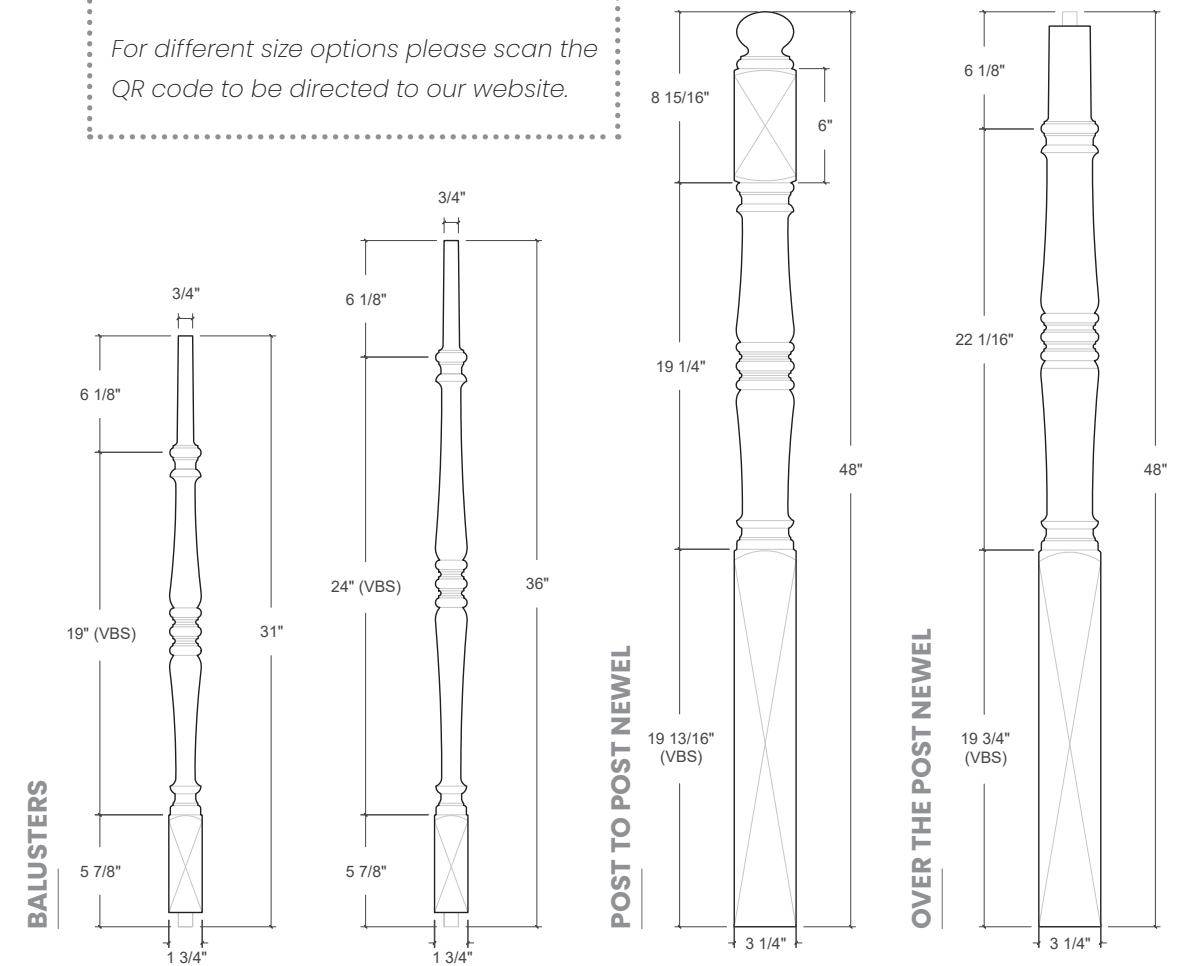


Connecting to our Italian heritage, this style was created with Venetian architecture in mind.

NOTICE:

VBS : VARIES BY SIZE

For different size options please scan the QR code to be directed to our website.



REEDED VENICE COLLECTION



For more information on available options for this item, please scan this QR code to be directed to our website!



REEDED VENICE COLLECTION | TRADITIONAL

The classical and traditional design of the Venice collection with a reeded carving will add the finishing look with its simple and graceful turnings.

DESIGN INSPIRATION

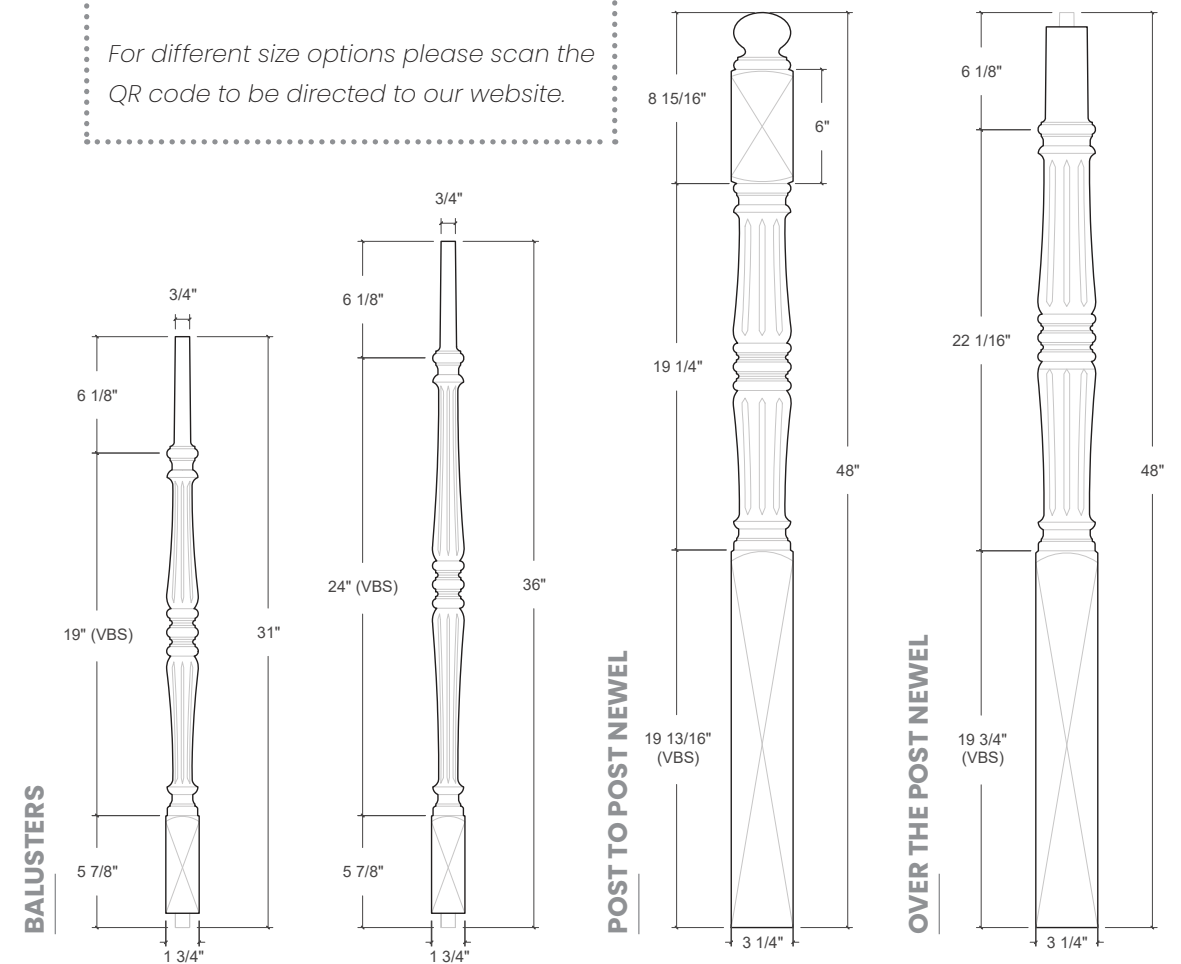


Connecting to our Italian heritage, this style was created with Venetian architecture in mind.

NOTICE:

VBS : VARIES BY SIZE

For different size options please scan the QR code to be directed to our website.



VERRAZZANO COLLECTION



For more information on available options for this item, please scan this QR code to be directed to our website!



VERRAZZANO COLLECTION | MODERN

The octagon shape of the plain Verrazzano collection will add a unique finish to your stairs.

DESIGN INSPIRATION

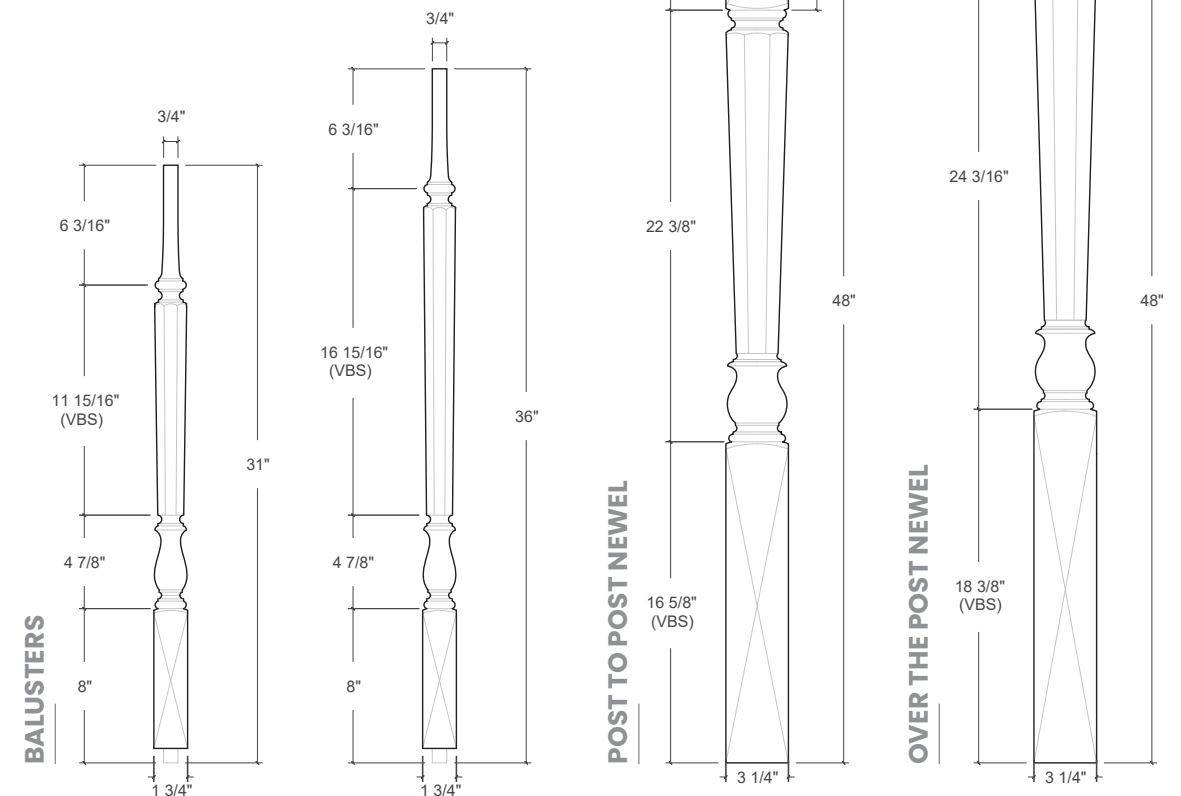


This style is designed after the amazing structure of the Verrazzano Bridge.

NOTICE:

VBS : VARIES BY SIZE

For different size options please scan the QR code to be directed to our website.



WILLIAMSBURG COLLECTION



For more information on available options for this item, please scan this QR code to be directed to our website!



WILLIAMSBURG COLLECTION | TRADITIONAL

The simple detail of the Williamsburg collection will accommodate any architectural style.

DESIGN INSPIRATION

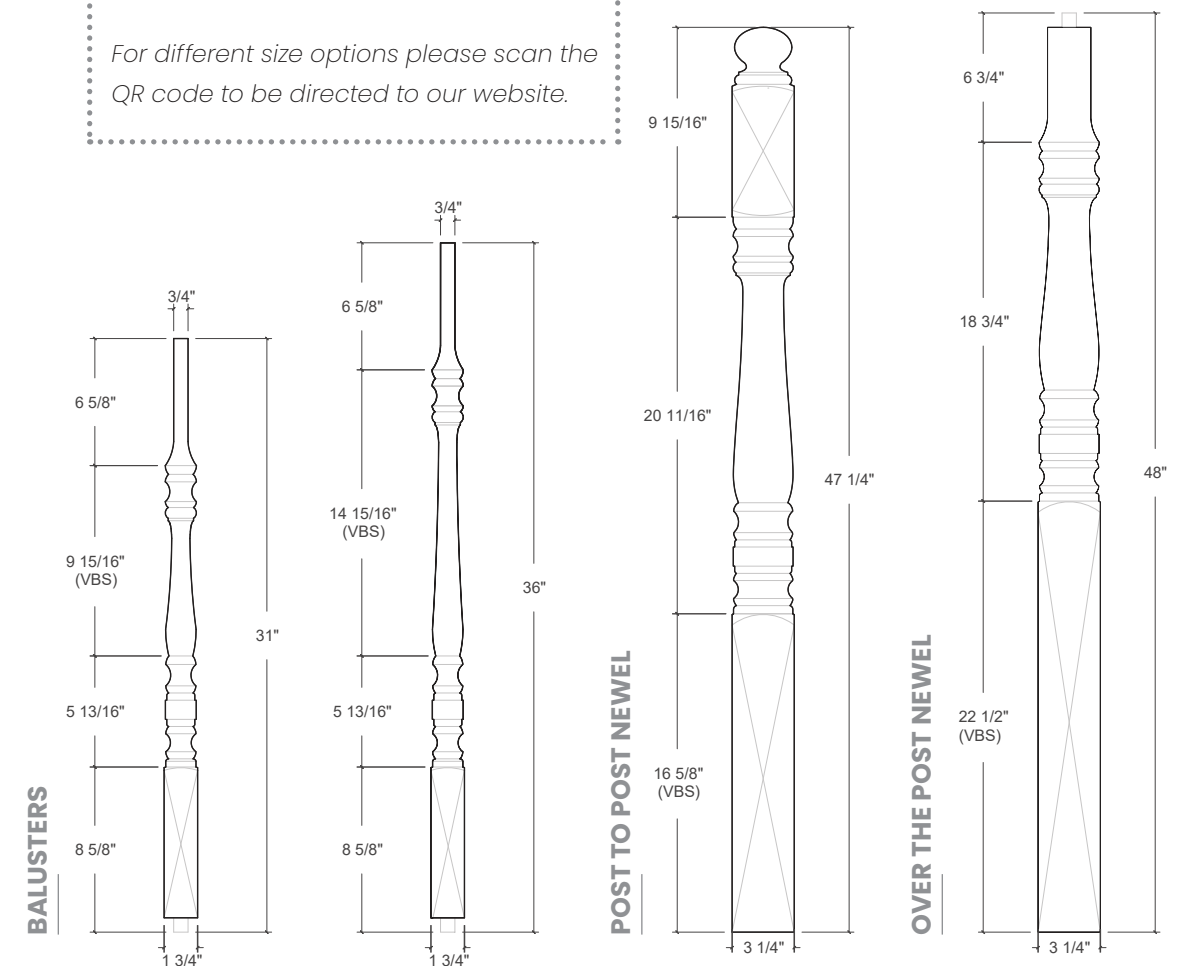


This style is inspired by the eccentric neighborhood of Williamsburg, located here in Brooklyn.

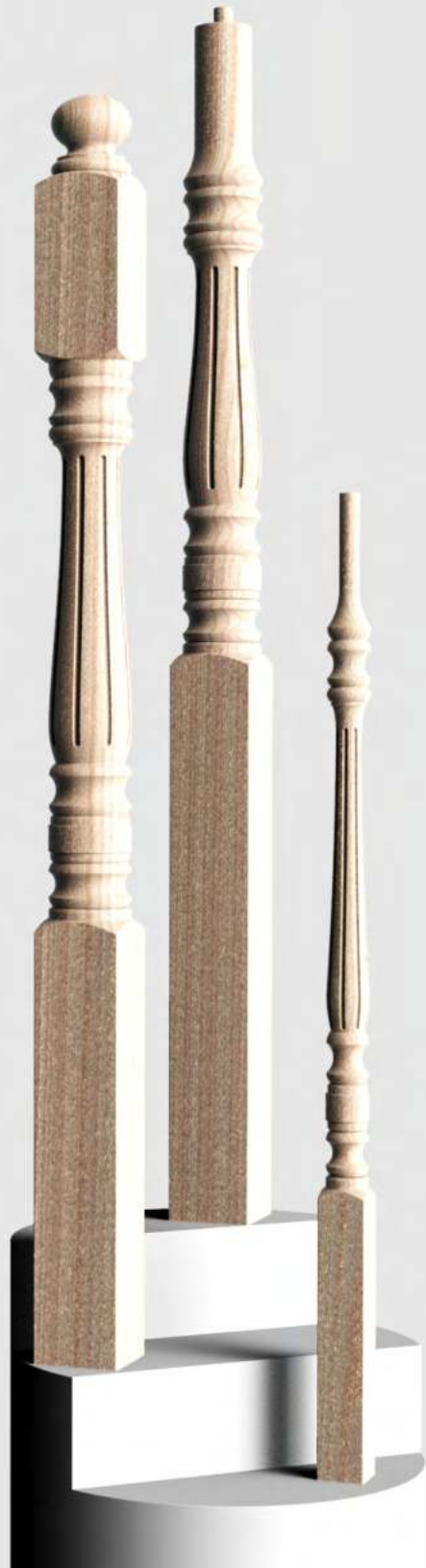
NOTICE:

VBS : VARIES BY SIZE

For different size options please scan the QR code to be directed to our website.



FLUTED WILLIAMSBURG COLLECTION



For more information on available options for this item, please scan this QR code to be directed to our website!



FLUTED WILLIAMSBURG COLLECTION | TRADITIONAL

The grandiose detail of the fluted Williamsburg collection will add a touch of elegance to your home.

DESIGN INSPIRATION

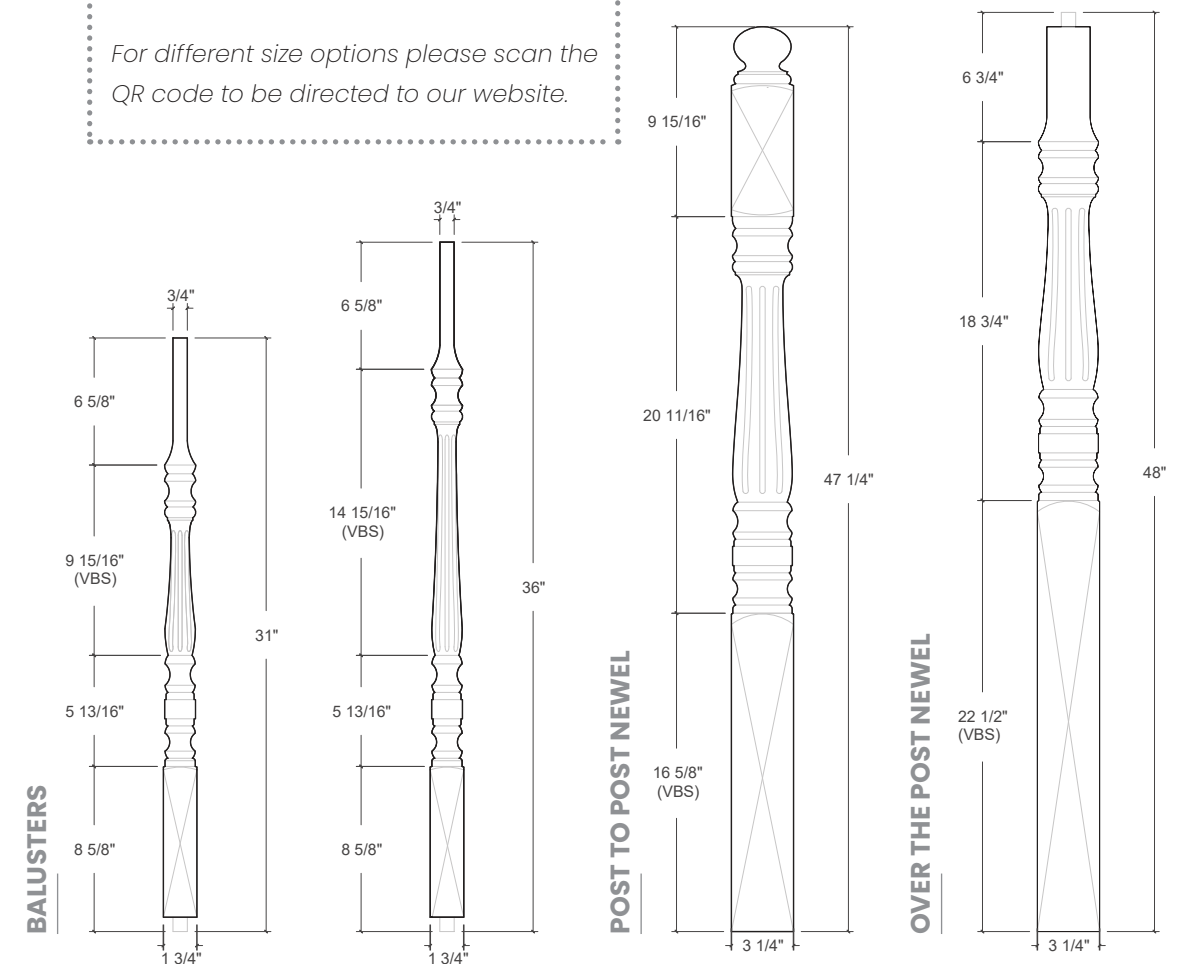


This style is inspired by the eccentric neighborhood of Williamsburg, located here in Brooklyn.

NOTICE:

VBS : VARIES BY SIZE

For different size options please scan the QR code to be directed to our website.



CUSTOM PARTS

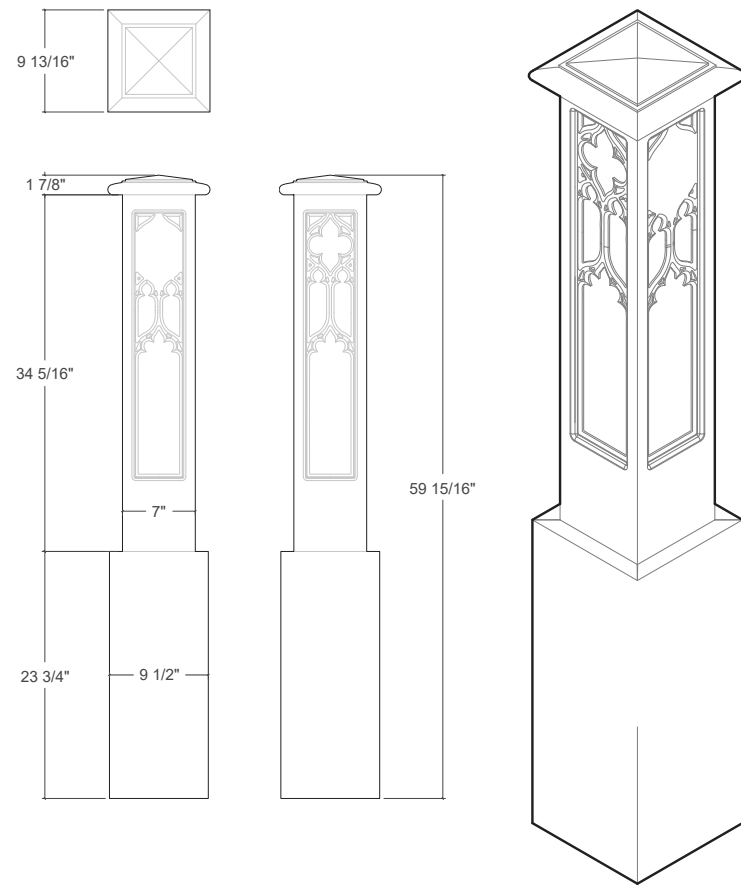


CUSTOM POSTS

GOthic | BOX NEWEL



DIMENSION



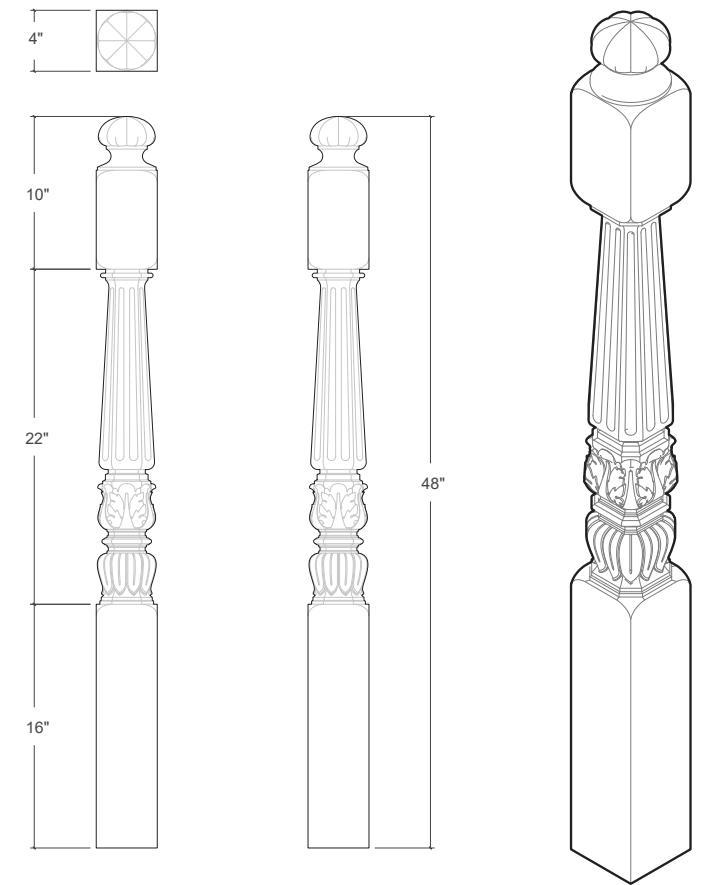
DETAIL



CLASSICAL | POST TO POST



DIMENSION



DETAIL



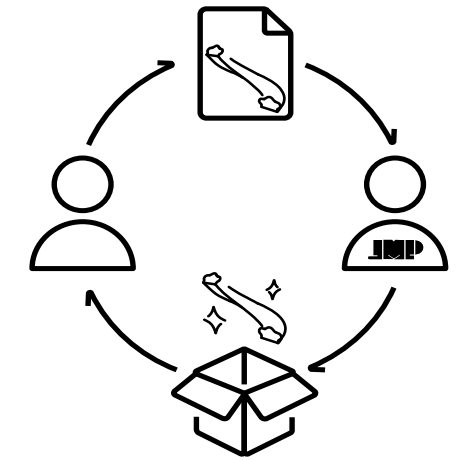
CUSTOM HANDRAILS



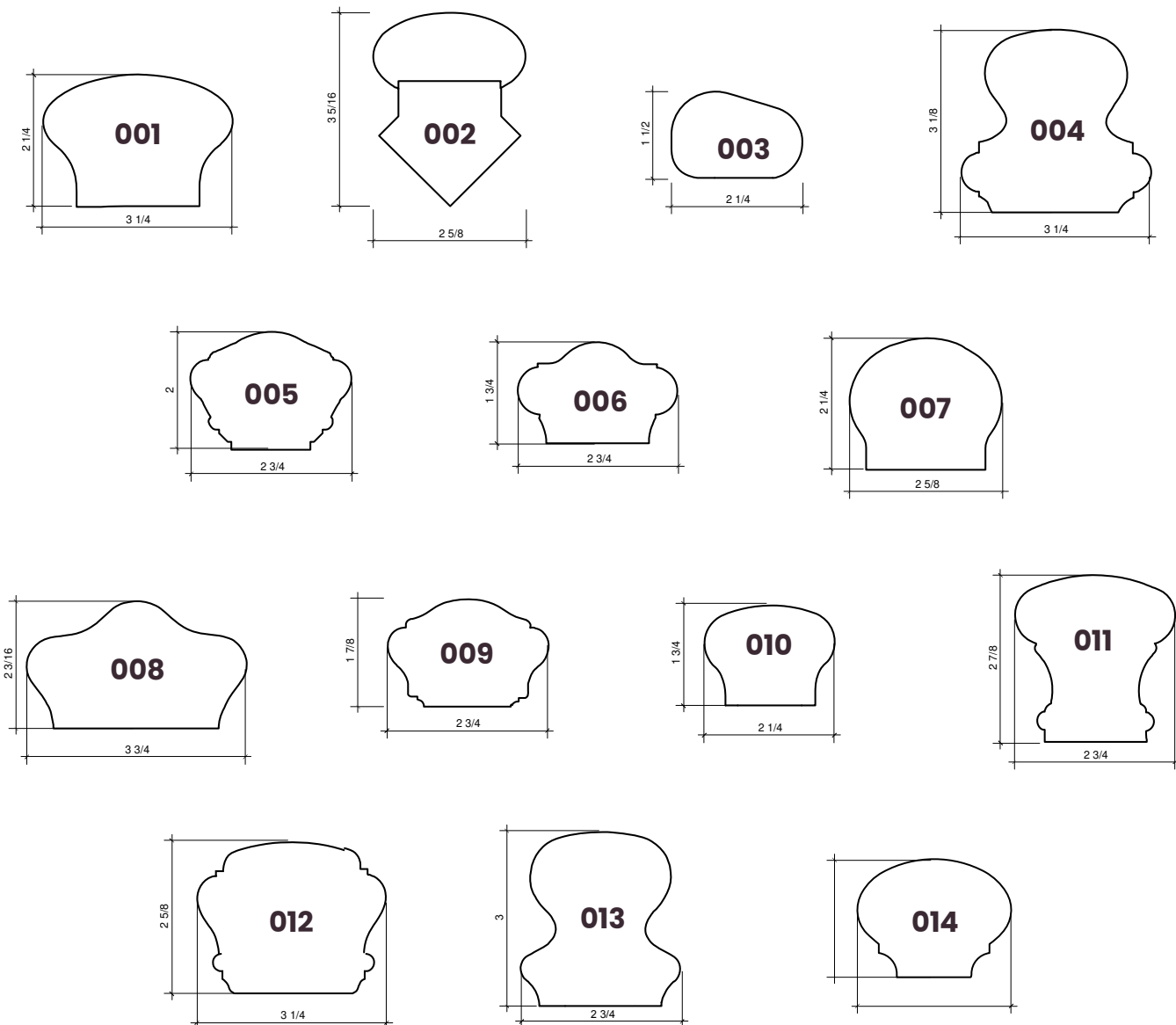
HOW TO ORDER?

To receive a quote for your custom handrail, please send us an email to info@jmpwood.com. Be sure to include your information and files of your handrail.

We accept files in the form of **dxg** , **pdf** , **step** , and **iges**.



OUR CUSTOM PROFILES.



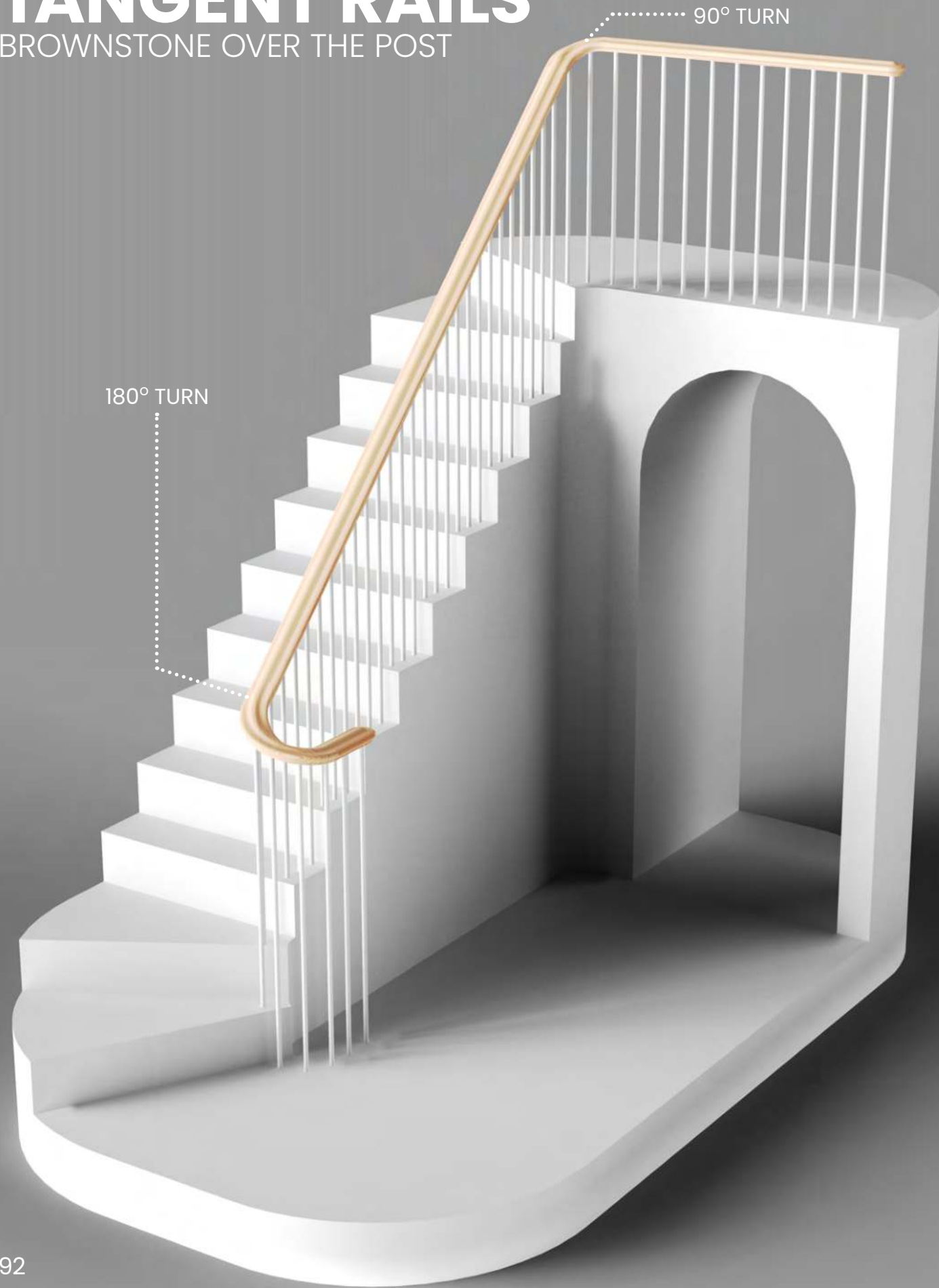
HOW DO WE MANUFACTURE?

Our custom handrails are carved using state of the art 5 axis CNC technology. Simply put, JMP Handrails are manufactured with precision and integrity to your design specifications.



TANGENT RAILS

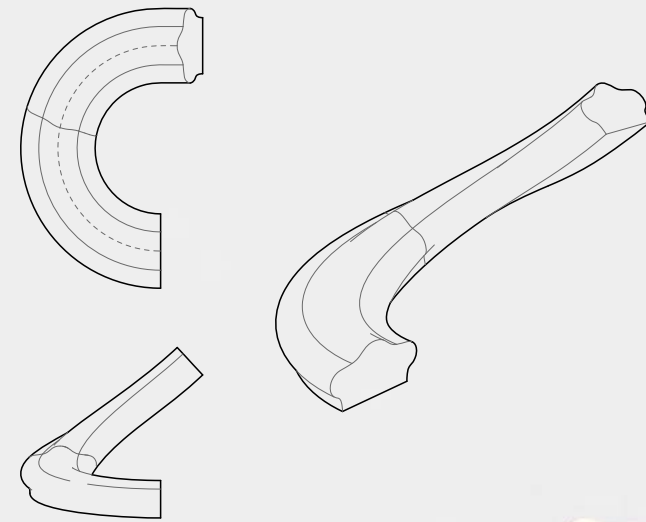
BROWNSTONE OVER THE POST



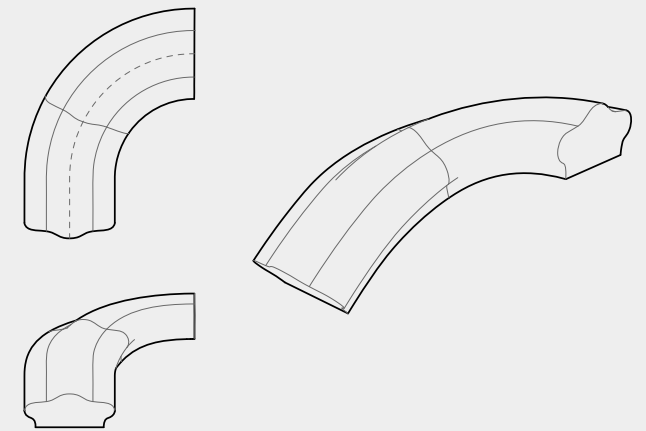
TANGENT RAILS

BROWNSTONE OVER THE POST

180° U-RAIL

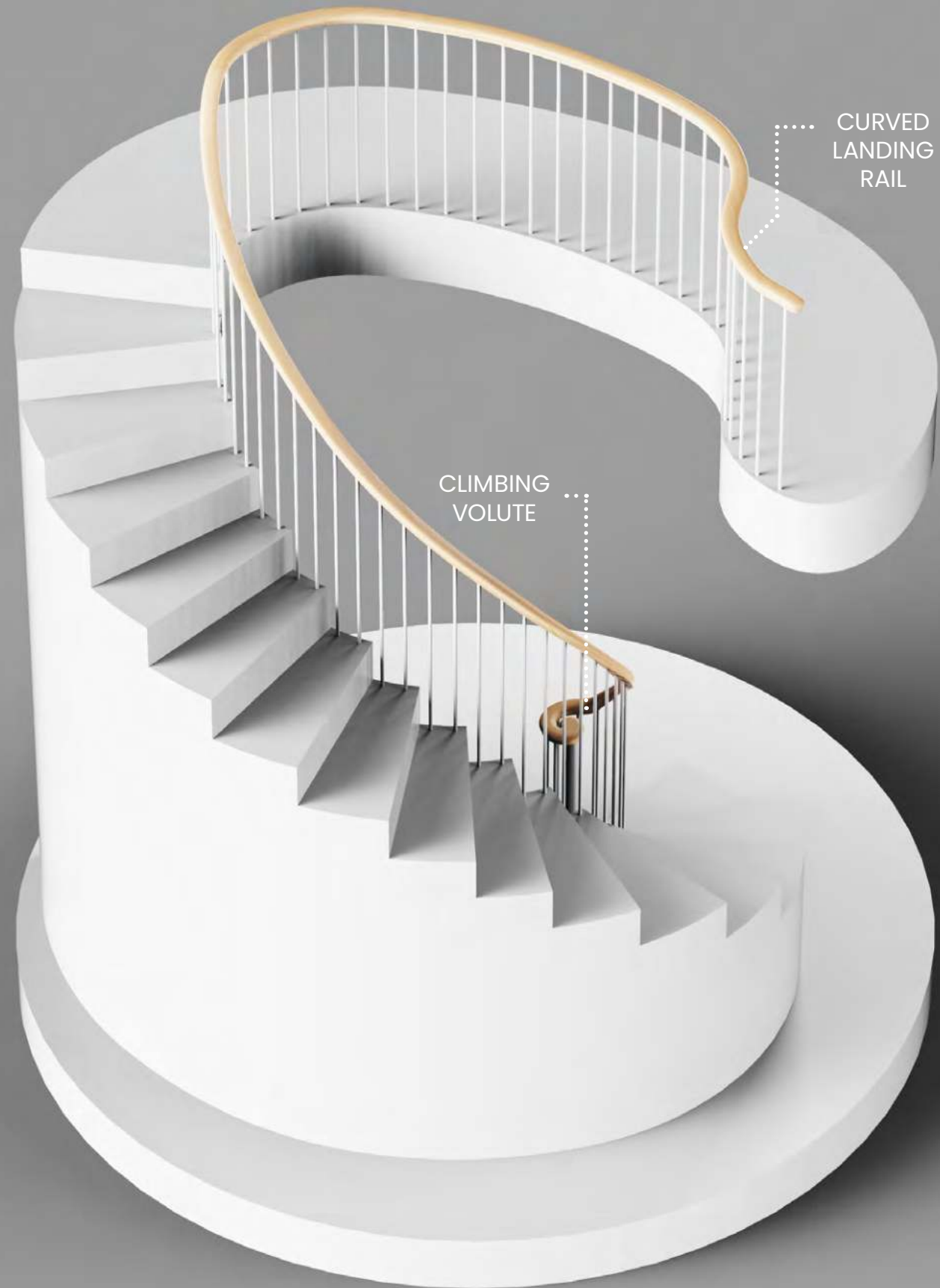


90° TURN



TANGENT RAILS

ROUND HILL ROAD



TANGENT RAILS

ROUND HILL ROAD

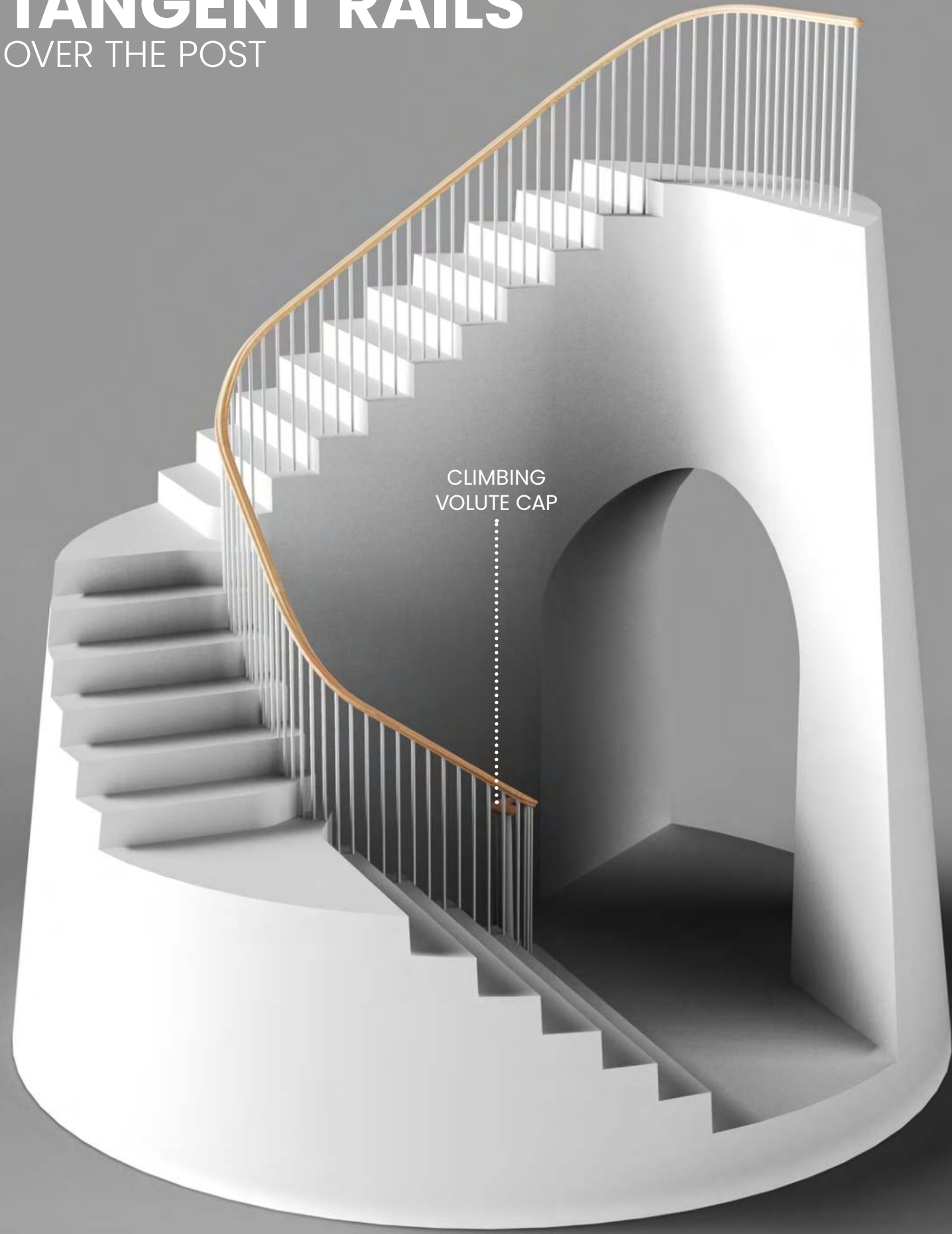
CLIMBING VOLUTE

CURVED LANDING RAIL



TANGENT RAILS

OVER THE POST

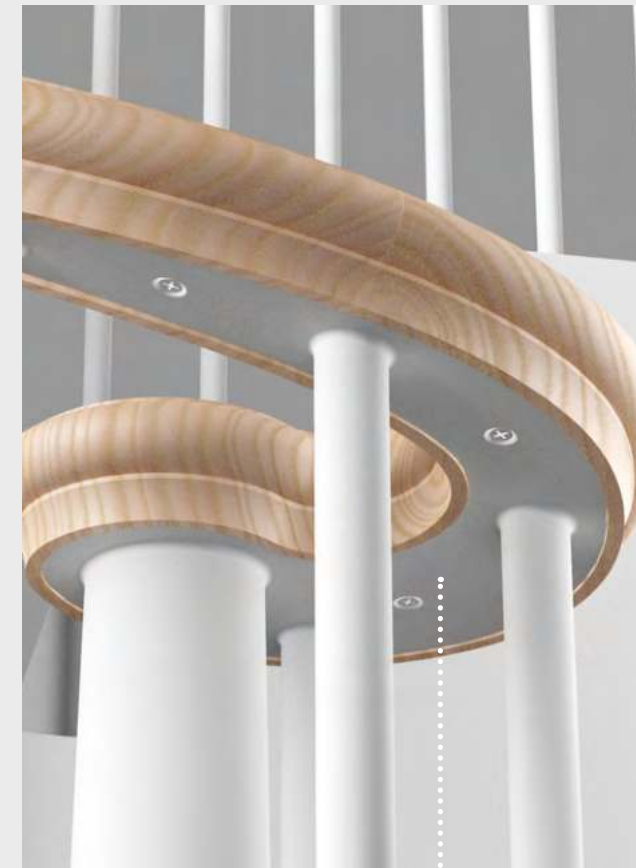


CLIMBING
VOLUTE CAP

TANGENT RAILS

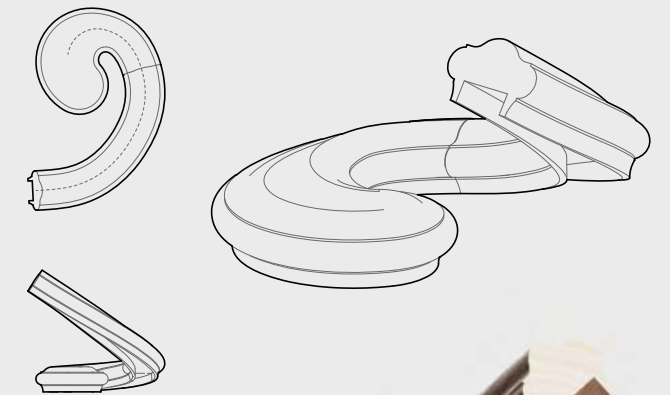
OVER THE POST

**FITS OVER AN
EXISTING SCANNED
METAL RAIL**



SCANNED METAL RAIL

**CLIMBING VOLUTE
(FROM SCAN)**



STAIRS



CUSTOM STAIRS

GRAND SCALE



PROCESS



ABOUT THIS PROJECT

This spiral staircase spans 4 stories and is machined from solid wood. We are able to do this by slicing the stair in sections. These sections are carefully organized and bolted together to create one uniform, sturdy staircase. Finally, the staircase is sanded smooth and finished.



This shot was taken from the base floor looking up during our installation process and serves as a good context for how truly massive this staircase is.

FINAL SHOTS

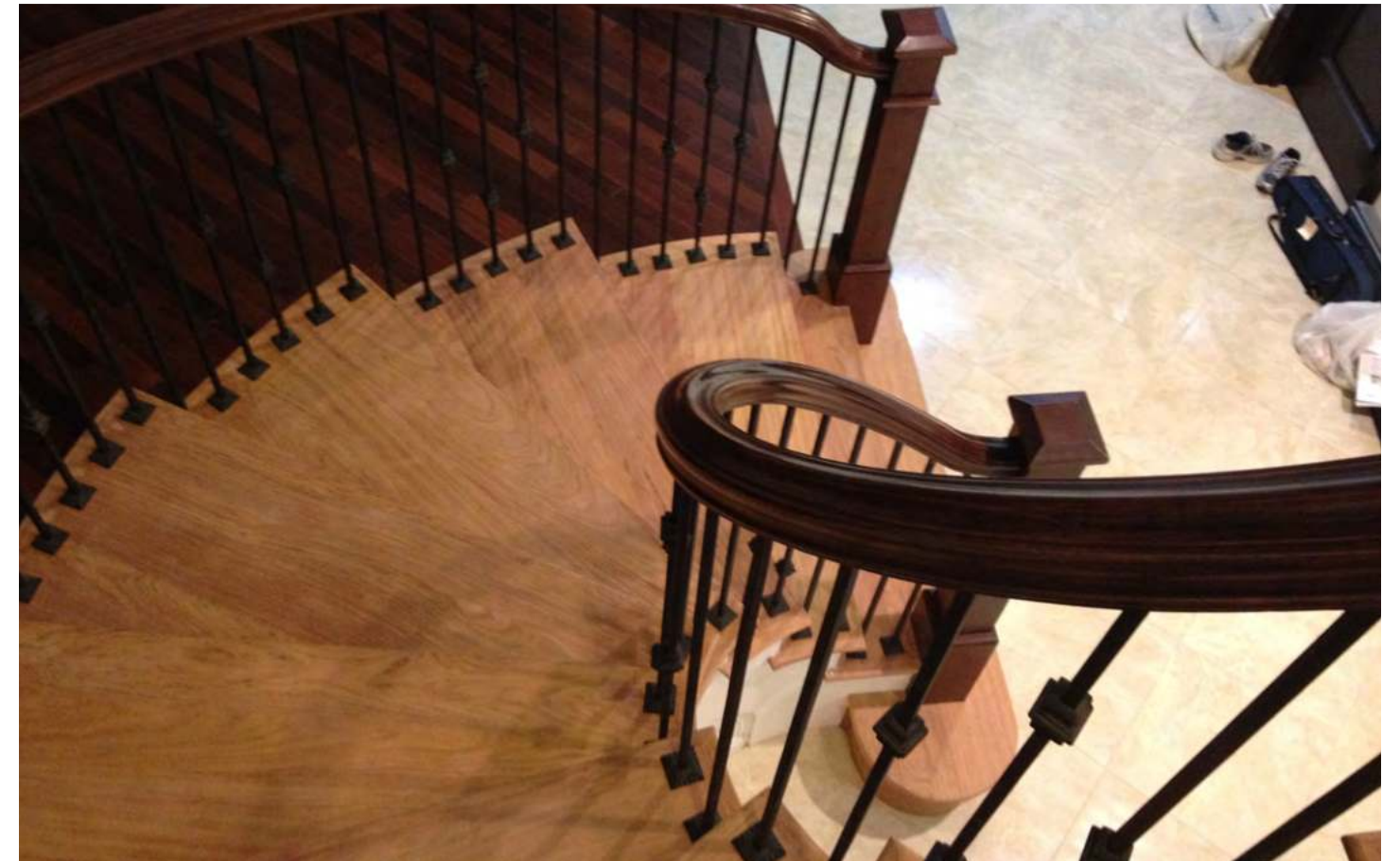
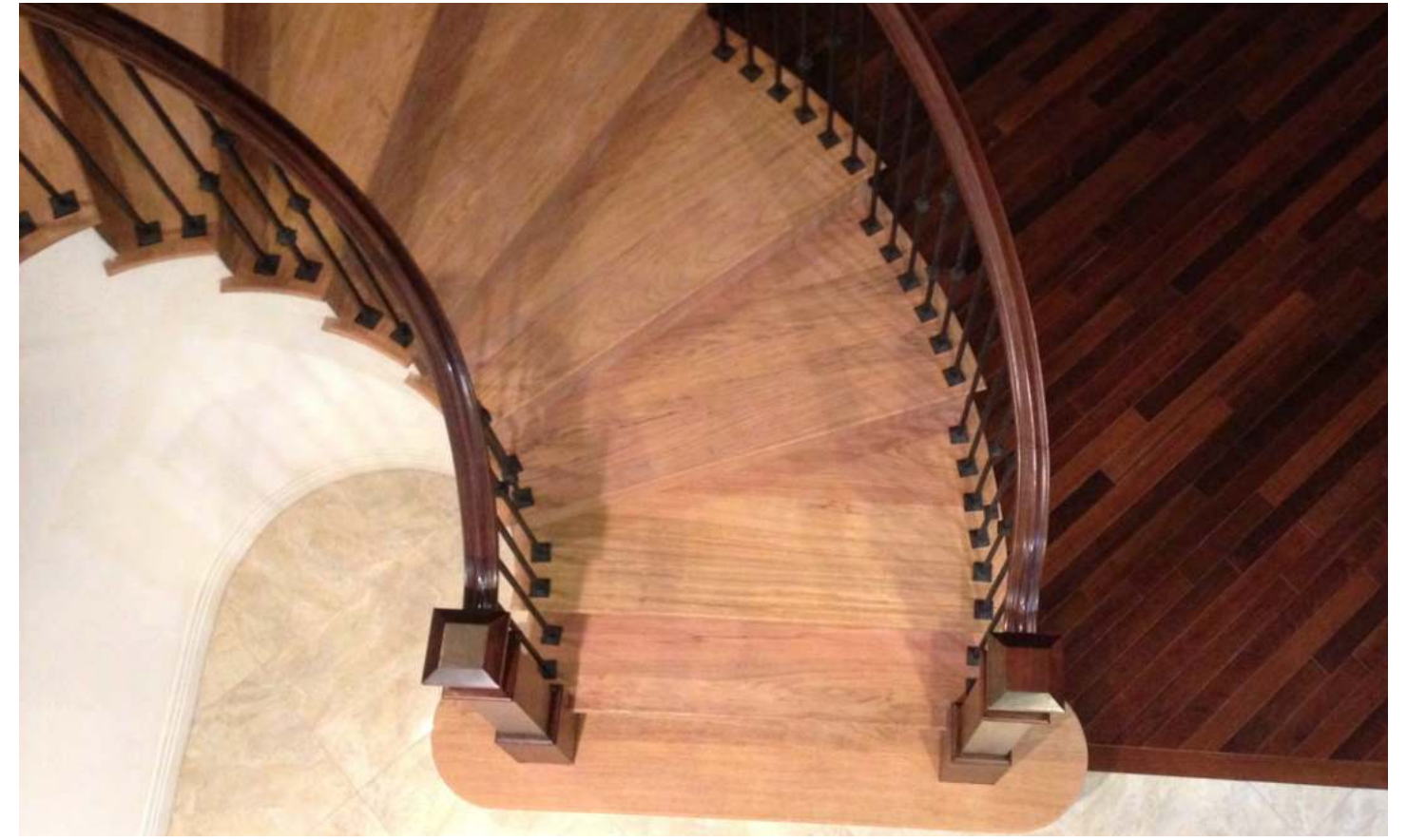


CUSTOM STAIRS

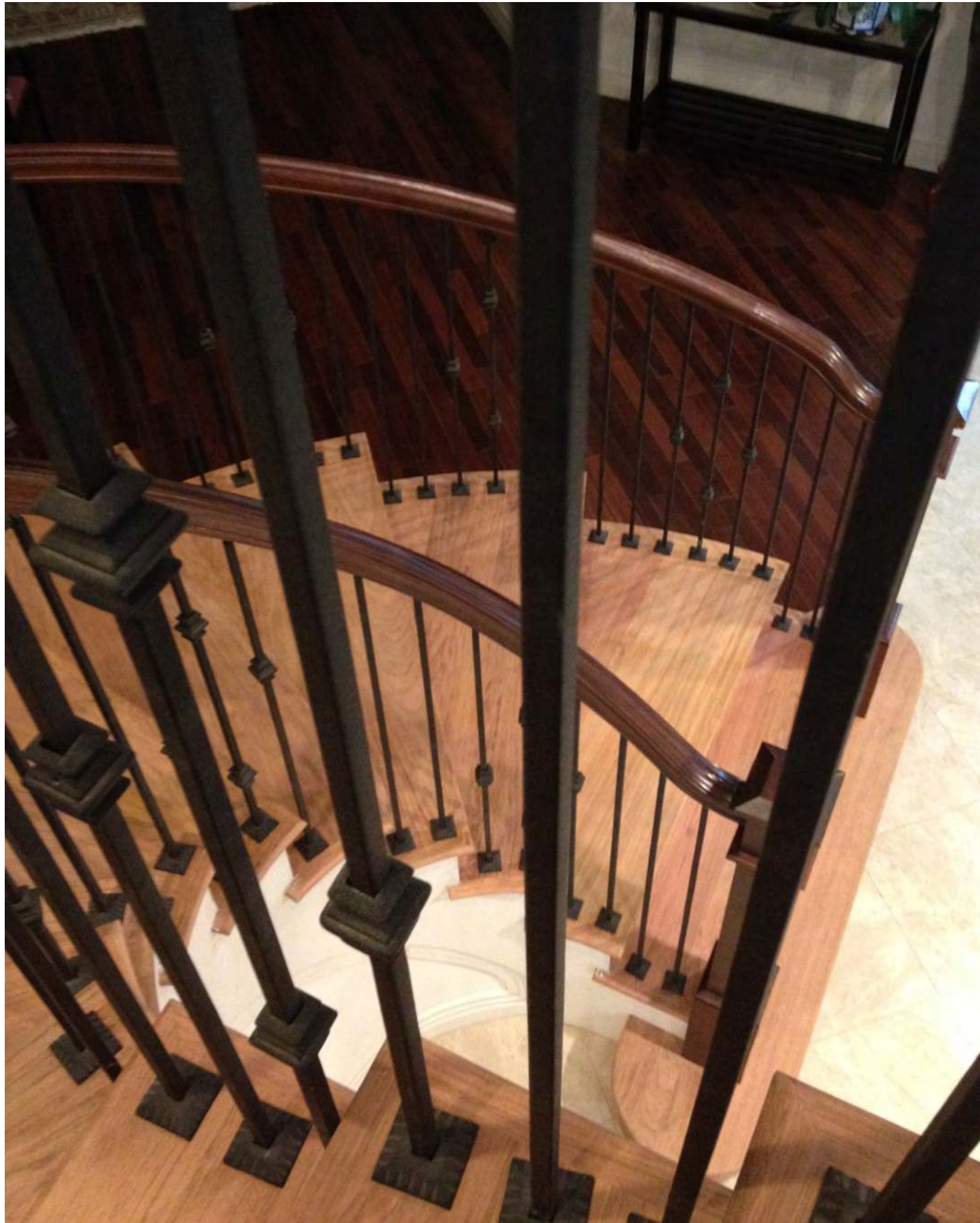
POND ST



DETAIL SHOTS



DETAIL SHOTS

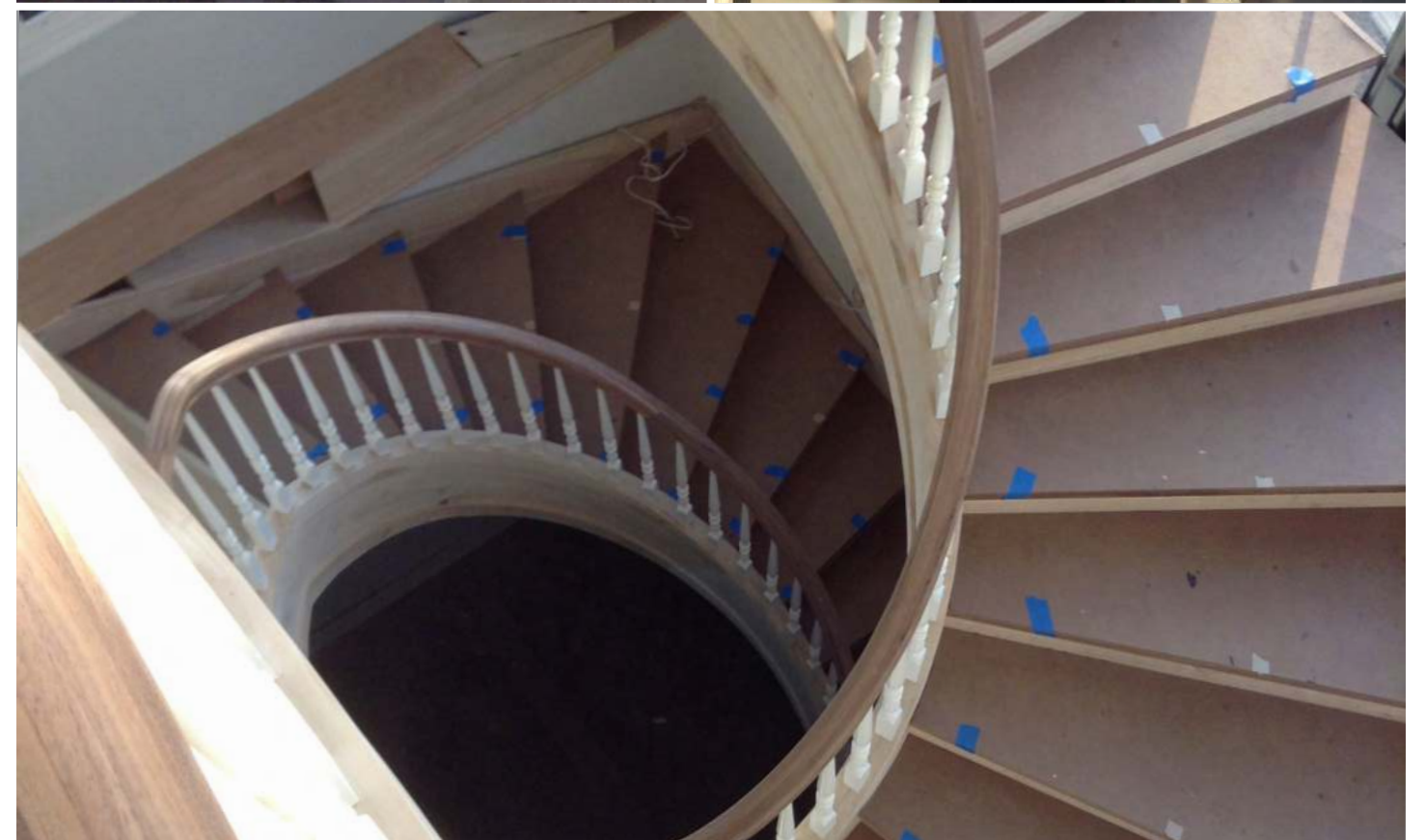
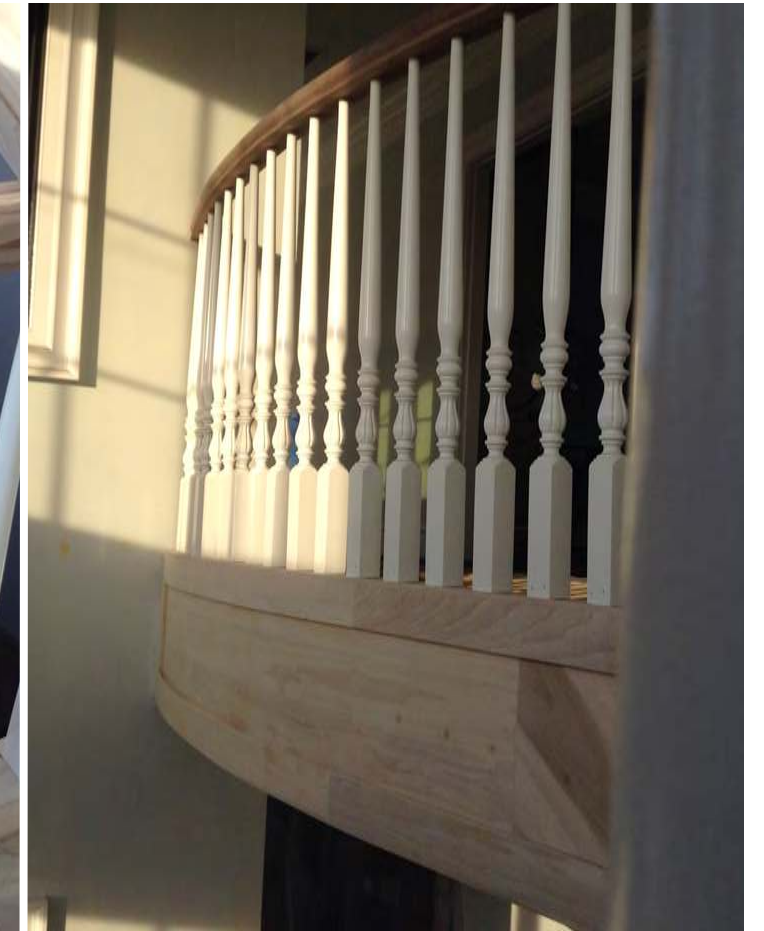


CUSTOM STAIRS

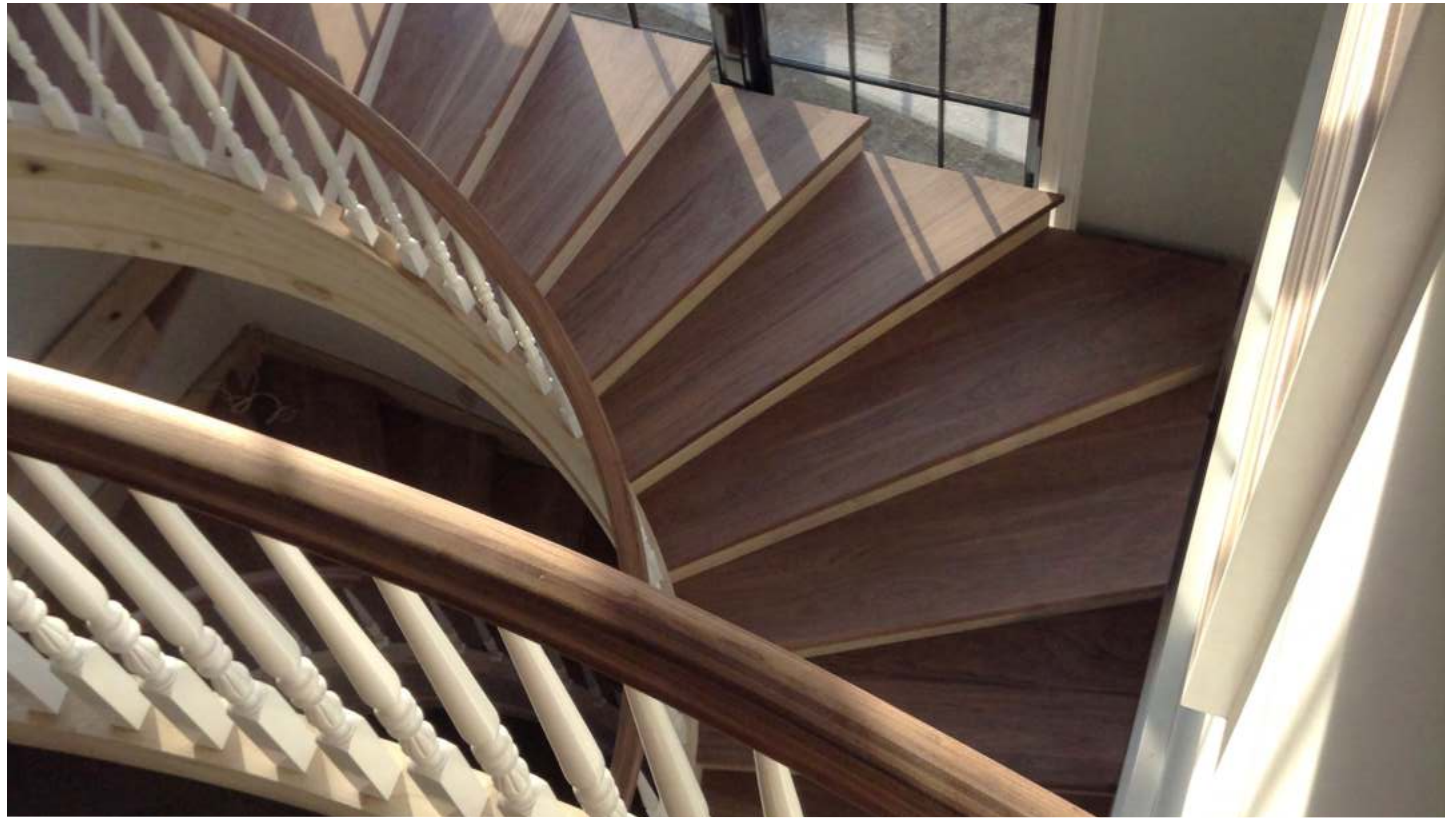
RHODE ISLAND



PROCESS



FINAL SHOTS



UNIQUE PROJECTS



CUSTOM PROJECTS

BALDACCHINO-SAINT MICHAEL'S CHURCH

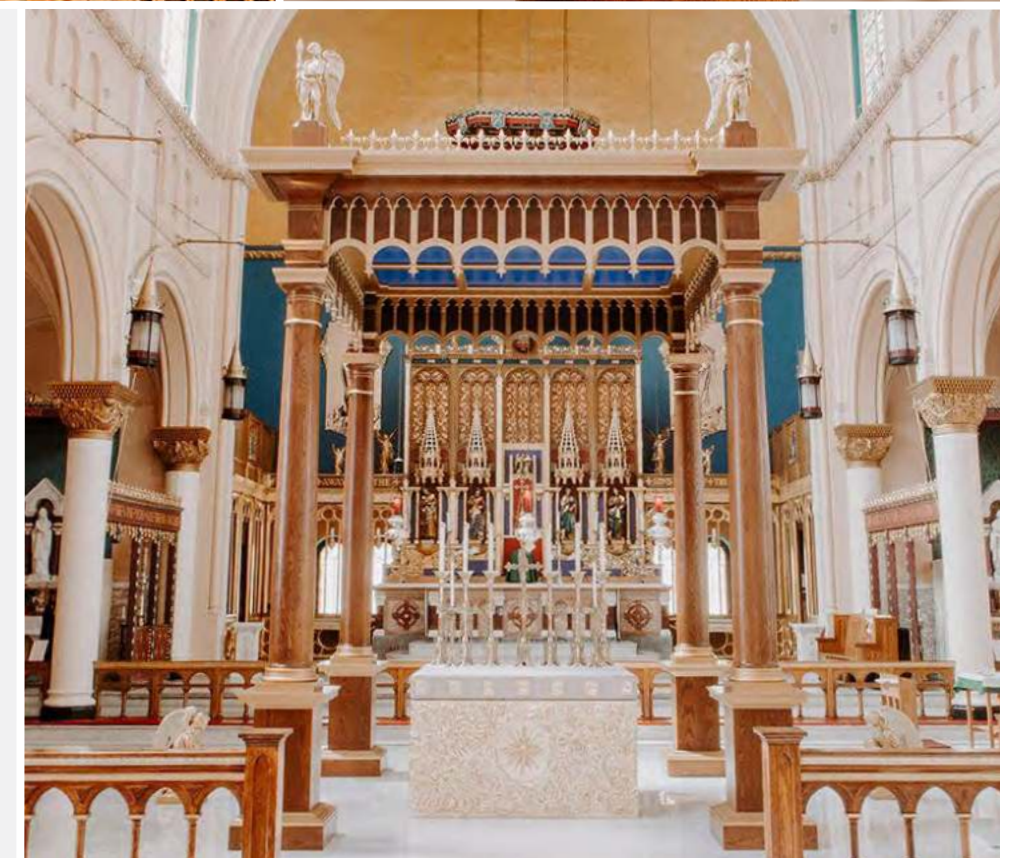


DETAIL SHOTS

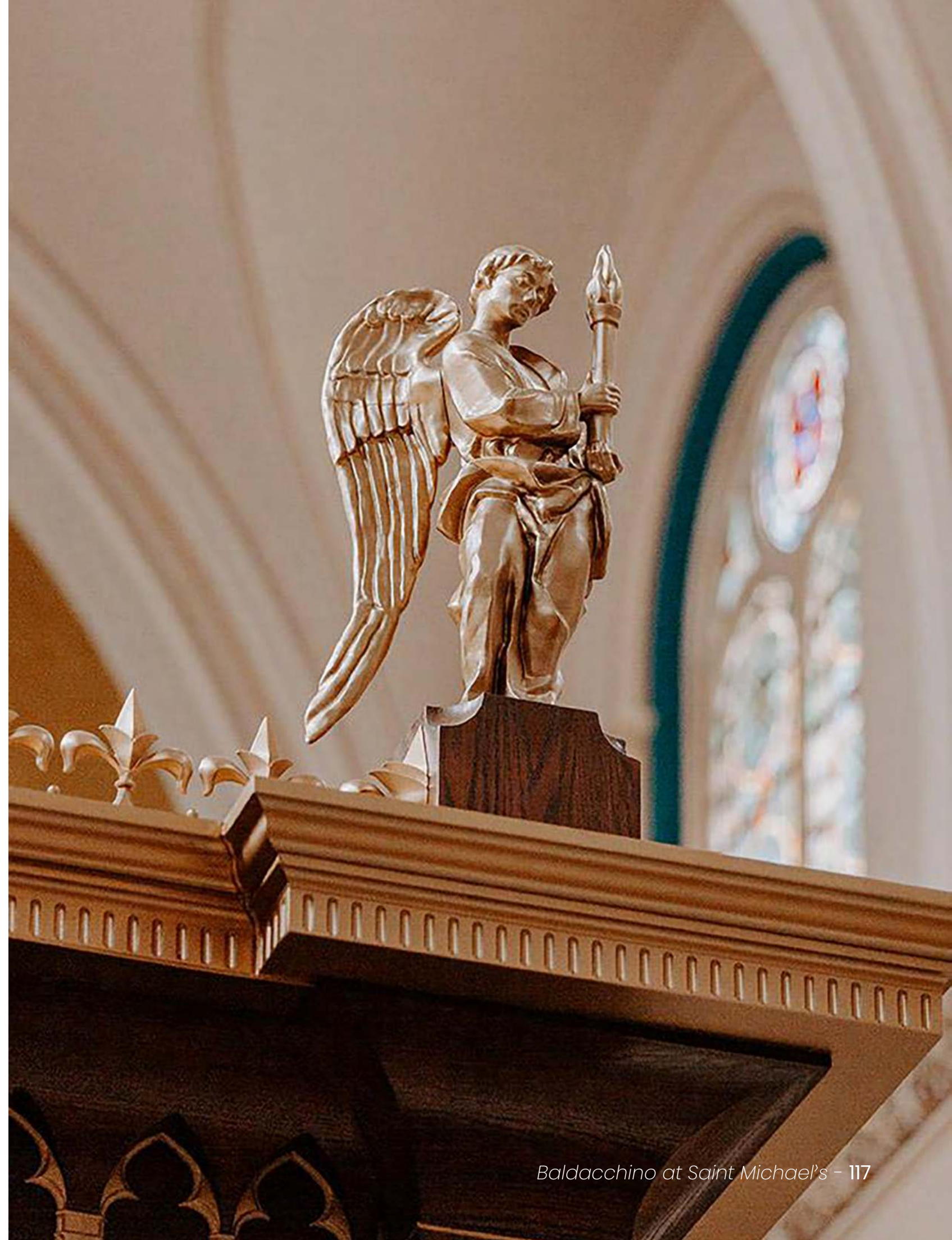


ABOUT THIS PROJECT

We built the Baldacchino of Saint Michael's Church located in New York, NY. This ceremonial canopy was made from oak, maple, and bass, and was finished with gold leaf. Each of the statues were 3D printed by one of our capable 3D printers. This project took around 6 months to complete, however due to the expert planning of our designers and skill of our craftsmen, we had a record installation time of only 6 days.



DETAIL SHOTS



CUSTOM PROJECTS

MARRIOTT



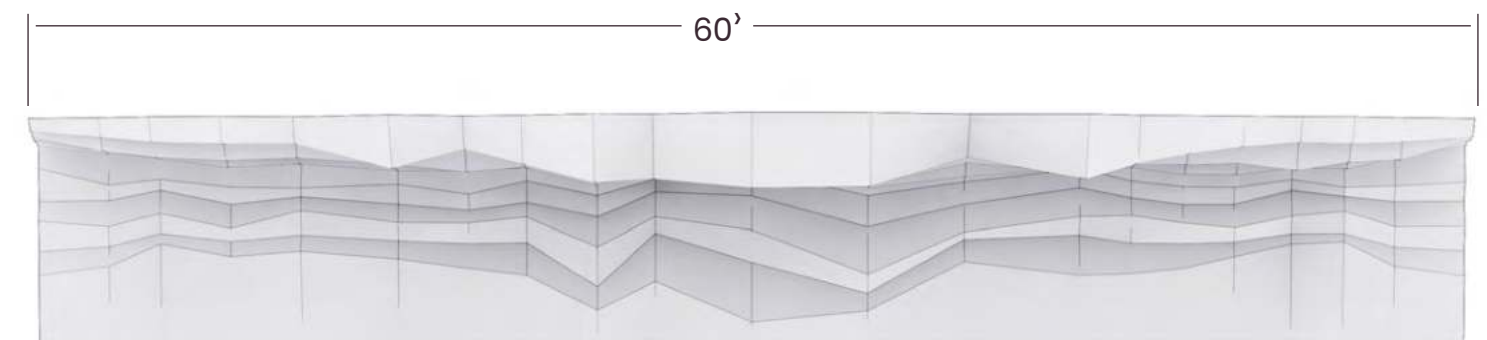
PROCESS

ABOUT THIS PROJECT

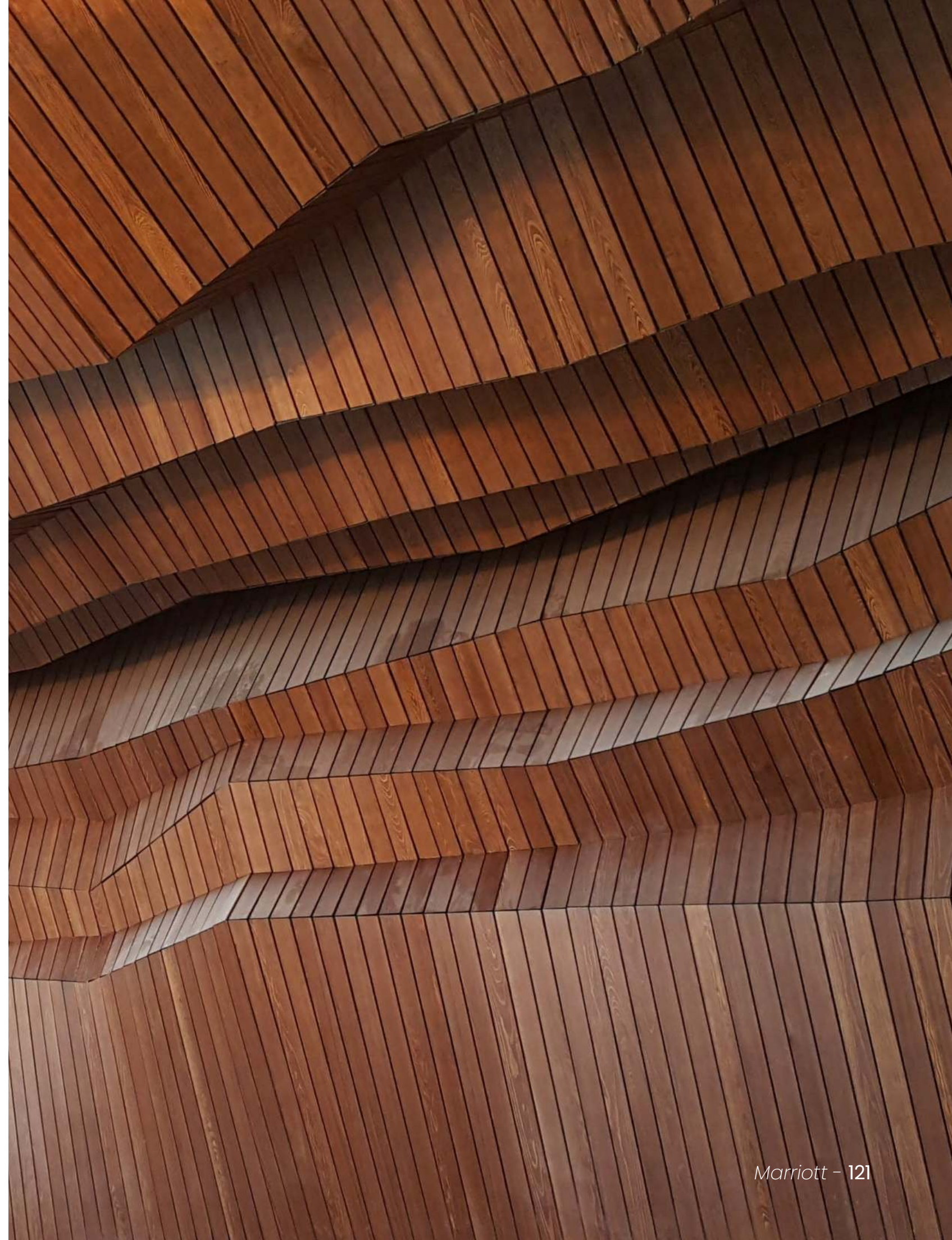
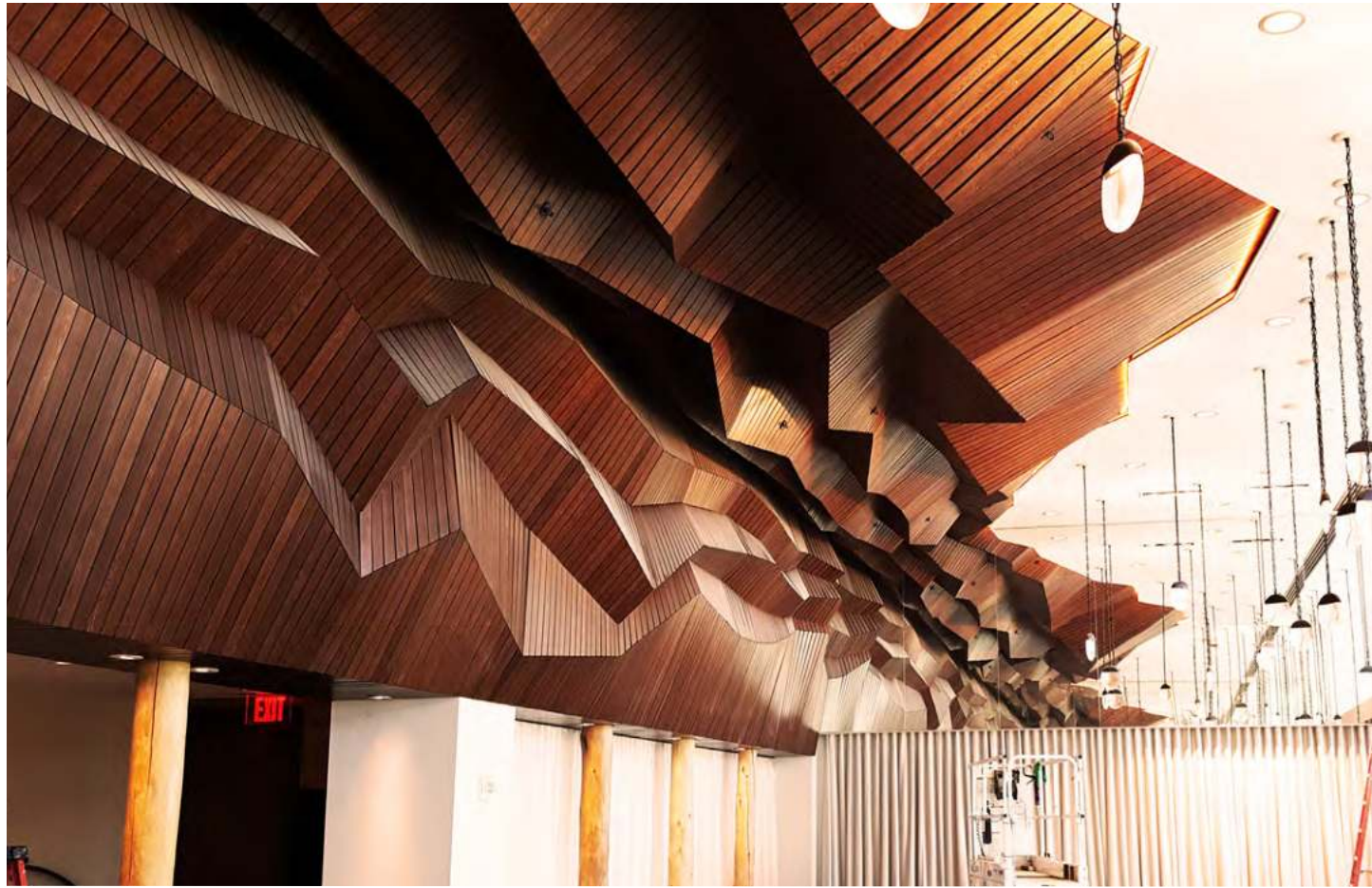
This geometric ceiling was built for a Marriot dining hall located in Marco Island, Florida. The featured ceiling is made from cypress and spans 60' and is 13' tall. With the addition of mirrors at both ends, an illusion is created so that the ornate design extends on forever.



DIMENSIONS



DETAIL SHOTS



CUSTOM PROJECTS

TANGO



INCORPORATED SHELVES



ABOUT THIS PROJECT

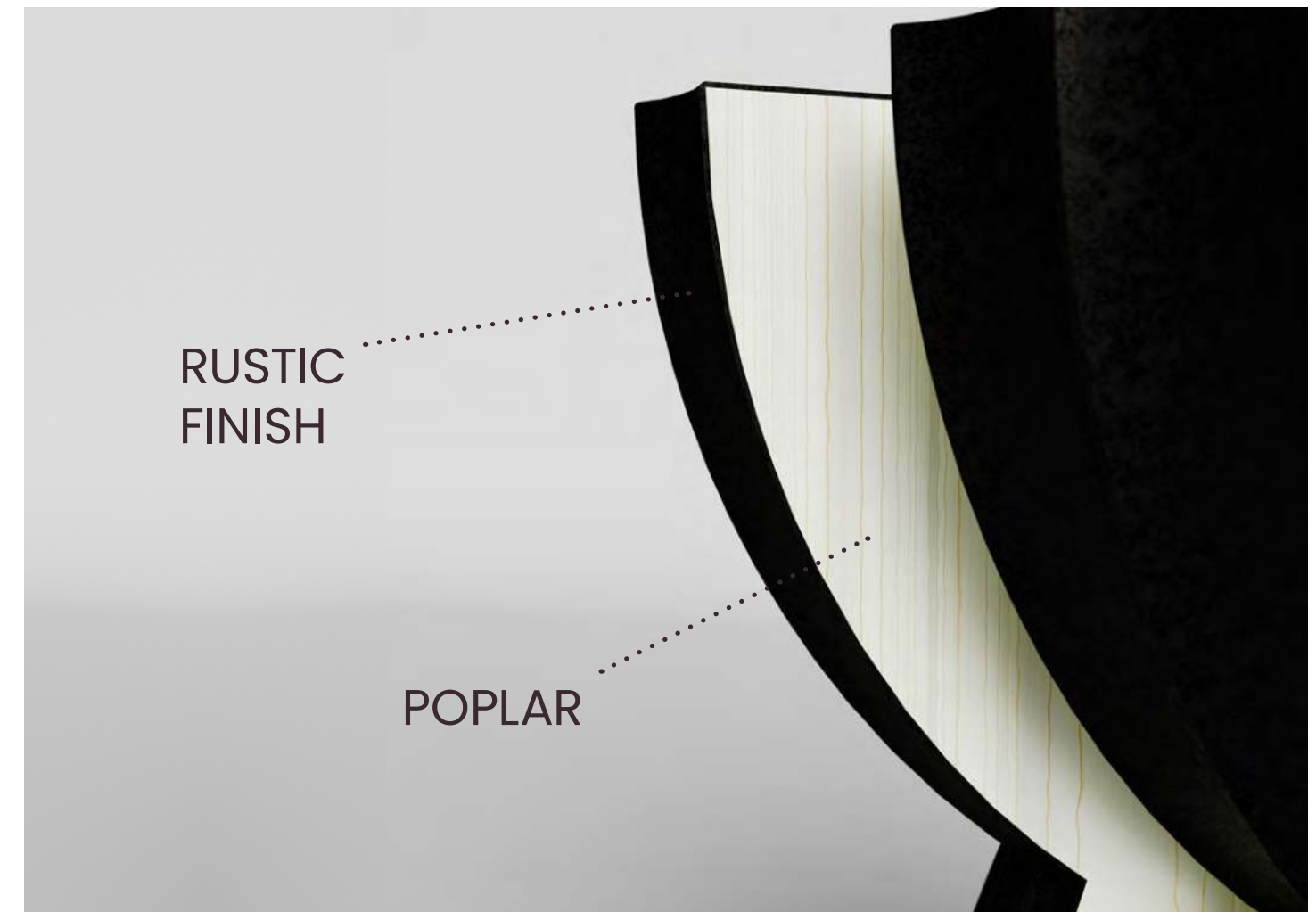
This unique white oak staircase features a unit of shelves. Located in the house's foyer, this incorporated shelf offers a convenient storage solution for items ranging anywhere from shoes for the busy and bustling family or pictures and heirlooms to impress guests.

CUSTOM PROJECTS

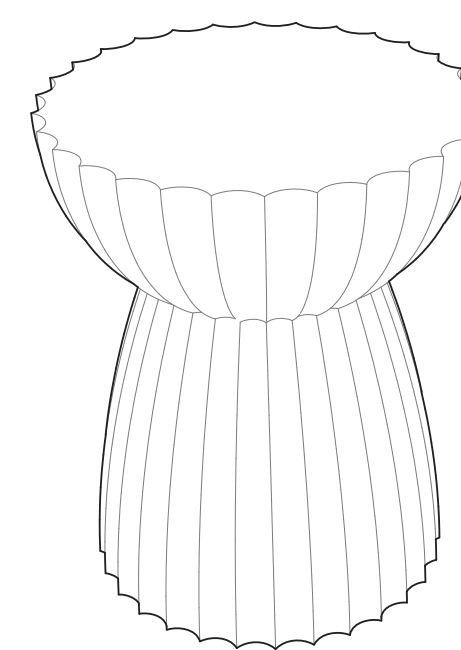
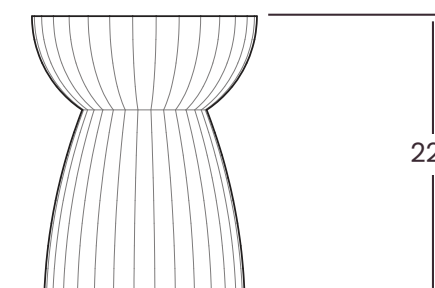
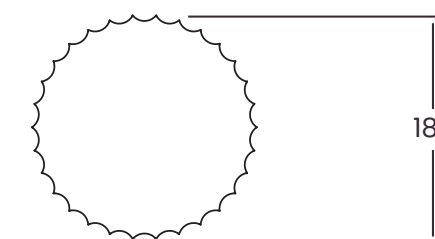
ACCENT TABLE



DETAIL SHOTS



DIMENSIONS



ABOUT THIS PROJECT

This custom accent table features carved flutes that run vertically through the design. It was machined on our 5 axis cnc. The poplar table was then finished with a coating which mimics rustic aluminum. Not pictured is a weighted base plate attached to the bottom of the piece for added stability.

FREQUENTLY ASKED QUESTIONS

What wood do you recommend?

We recommend poplar/maple if you are painting and red/white oak if you are staining. Sapele for a darker, natural finish.

I am building my stair outdoors...

For outdoor we recommend sapele and cedar. Please state on your order that the parts you are purchasing are for outdoor purposes.

Do you install?

No, we do not install. We manufacture and supply both standard and custom stair parts for contractors, stair builders, and homeowners.

Can you recommend someone that can install?

Unfortunately we do not recommend any installer due to fair competition.

Can it be shipped?

All of our products can be shipped via boxes or freight to all 48 states (Alaska and Hawaii, extra fees may apply). Shipping time and cost may vary depending on location, as well as size and weight of the product.

What is considered an oversized package?

Any order that exceeds 50 pounds or if the package dimension is over 95.5 inches.

The product arrived damage or incorrect.

Please refer to our terms and conditions for more details about our return policy.

Do you do site measurements?

Yes we do offer the service of measuring. The cost of the site measurements will depend on the project and location. To receive a quote, please email us information regarding your site address, job description along with pictures and drawings of site conditions.

What is the status of my order?

Due to the large amount of orders we can have at one time, it will be difficult for us to provide a status update for your order. To inquiry for an update, please email us at orders@jmpwood.com or call 718.303.7777

I am looking to get a quote on a custom order.

Please email as much information as possible about your order to custom@jmpwood.com. Please include your name and contact information and a detailed description of your project in order for us to get back to you.

Still have questions?



Contact us:

E info@jmpwood.com

T 908.777.1567

T 718.303.7777

TERMS AND CONDITIONS

Pricing

- All items are priced per single piece or per linear feet unless otherwise specified.
- Bulk pricing available / wholesale
- All special sales, discounted rates or VIP pricing can not be combined and can only be applied a single time per an order. Any discounted rates are not applicable to any custom orders.
- For pallet pricing, please contact us for availability and shipping rates.
- There is no minimum order quantity, but a set minimum cost of shipping and handling may be applicable.
- All pricing and product availability are subject to change without notice. Please visit our website for up-to-date pricing or contact us at info@jmpwood.com

Shipping & Lead Time

- If an item is in stock, the lead time is usually 1-3 business days. Any order placed after 12pm noon will be processed during the next business day.
- JMPWOOD ships to all 48 states (Hawaii and Alaska, extra fees may apply) and U.S. territories via LTL UPS Ground or USPS. Please contact us for details for international shipping.
- All items are shipped with a tracking number that will be emailed once the package has shipped.
- All freight and handling charges are subject to change without notice, as it is a third party service and JMPWOOD is not responsible.
- If you would like to expedite your order, please contact us at info@jmpwood.com
- Items over 8 feet will ship via LTL and may require extra charges
- Insurance can be purchased and is recommended especially on custom made to order items

Payment

- All purchase orders are paid in full unless specified otherwise.
- All purchase orders are subject to all taxes and shipping fees unless specified otherwise. Please provide us with any tax exemption prior to placing an order.
- In order to open an account with JMPWOOD, you first submit a credit application/credit approval and it may take up to 30-120 days for processing. JMPWOOD holds all rights to reject your application for line of credit without cause.
- A recurring service charge of 2% may be applied to outstanding balances past 30 days.
- Any payment process via credit card (VISA, MASTERCARD, AMERICAN EXPRESS, ETC) can be subjected to a processing fee up to 5% on invoice.
- There is an \$50 additional fee on any returned/bounded checks.

Delivery

- JMPWOOD holds no responsibility if a client (buyer) is absent or fails to receive delivery via a third party at a scheduled time window and may be subject to additional delivery fees for rescheduling.
- Any rescheduling for delivery must be notified at least 48 hours in advance to be honored.
- For local delivery, please contact us at info@jmpwood.com for availability and pricing.

Returns

- Items must be in its original carton and deem in a resalable condition by JMPWOOD in order to be accepted for return.
- Any item that is cut, damaged, stained, painted or modified in anyway will not be accepted for returns.
- Any made-to-order parts are not eligible for returns. Any custom or made-to-order item can not be canceled once production has started.
- A 15%-25% restocking fee may apply on any returned products.

Changes & Updates

- Terms and conditions are subject to be updated, please refer to www.JMPWOOD.com for the latest terms and conditions.
- JMPWOOD reserves the right to discontinue any product, material or specification without notice.
- Terms and conditions supersedes all terms of sales unless specified otherwise in writing.

Incorrect Product or Damage Upon Arrival

- Any claim of damage on arrival must be noted on the bill of lading along with a signed damage report from the driver, in order for us to process your claim. All claims must be submitted within 24 hours of receiving the product. Please provide photographic evidence of damages to assist your claim.
- Any incorrect items or shortage of items, must be reported within 24 hours upon receiving the product shipment.
- JMPWOOD holds the claims to all damaged items or incorrect items and may ask for those specific items to be returned in arrived condition.

Nature of Wood Products

- There will be some unavoidable color and grain variation in items due to the unique nature of wood. Wood naturally expands and contracts due to changes in temperature and humidity. Because of this, it is perfectly normal for all wood products to possibly experience slight separation at wood joints or slight warping over time with changes in temperature/seasons. This does not affect the structural integrity of the stairs and rails. We take every precaution to minimize this, but a humidity control system may also be used in the home to further reduce the possibility of natural wood expansion and contraction. To further reduce the possibility of natural wood warping, splitting, contraction or expansion, we recommend finishing/sealing all sides of the stairs, including parts that are not visible. This forms a protective seal, making the wood less prone to expansion and contraction.

Copyright © 2020 JMPWOOD

All rights reserved. No part of this publication may be reproduced, distributed, or transmitted in any form or by any means, including photocopying, recording, or other electronic or mechanical methods, without the prior written permission by JMPWOOD without exception. In any legal action concerning copyright infringement, the prevailing party shall be entitled to recover reasonable attorney's fees and costs.



info@jmpwood.com

Copyright © 2021 JMPWOOD

All rights reserved. No part of this publication may be reproduced, distributed, or transmitted in any form or by any means, including photocopying, recording, or other electronic or mechanical methods, without the prior written permission by JMPWOOD without exception. In any legal action concerning copyright infringement, the prevailing party shall be entitled to recover reasonable attorney's fees and costs.

