

JMP INSTRUCTIONALS:

HOW TO INSTALL A TANGENT RAIL

SUPPLIES: CLICK EACH ITEM TO ADD TO CART



ZIPBOLT SLIPFIX RAILBOLT
13.600



IRWIN QUICK-GRIP ONE-HANDED BAR CLAMP (12")



ZIPBOLT SIDE RATCHET TOOL
40.310



**G-FORCE ALUMINUM ALLOY
RAFTER SQUARE**

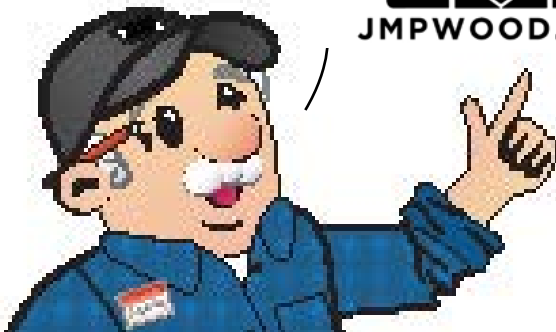


**TITEBOND II PREMIUM INTERIOR &
EXTERIOR WOOD GLUE**



ZIPBOLT RAILBOLT DRILL GUIDE
40.260

**"COME GET YA
STAIR PARTS!"**



**IRWIN SPEEDBOR 3/8" &
1/4" SPADE DRILL BIT**



DIABLO 1" FORSTNER DRILL BIT

JMP INSTRUCTIONALS:

HOW TO INSTALL A TANGENT RAIL



JMPWOOD.COM

KING OF STAIR PARTS

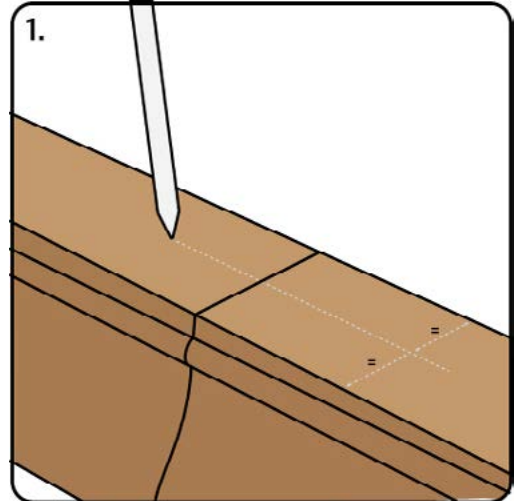
T: 718.303.7777

E: info@jmpwood.com

1

ALIGN HANDRAILS END TO END AND MARK:

ALIGN HANDRAILS END TO END AND MARK A LINE ACROSS THE MIDDLE OF BOTH HANDRAILS.

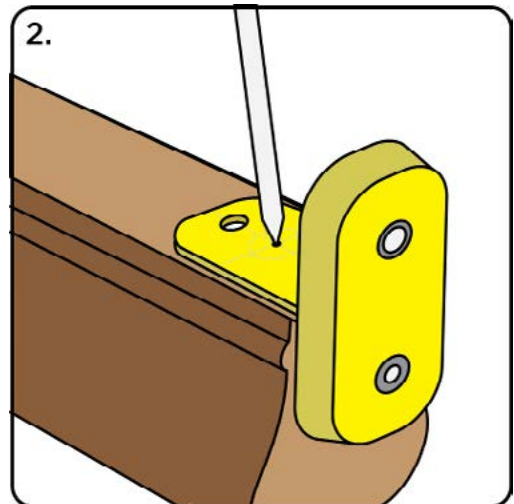


2

POSITION THE RAIL GUIDE AND MARK:

ALIGN THE [ZIPBOLT GUIDE](#) ON THE MIDDLE OF THE RAIL USING THE LINE DRAWN IN STEP 1.

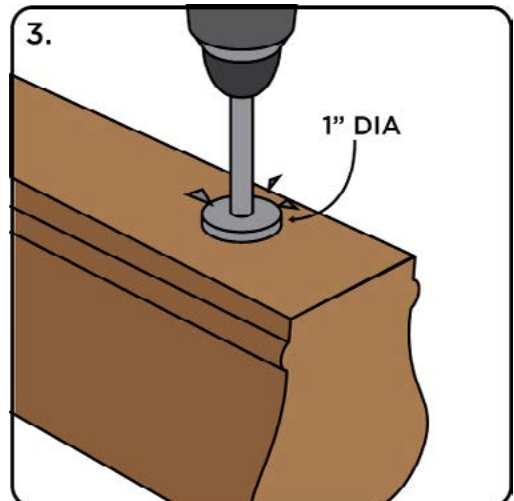
MARK A POINT USING THE SMALLER HOLE.



3

DRILL A 1" HOLE:

USING A [DIABLO 1" FORSTNER BIT](#), DRILL A HOLE ROUGHLY 1-3/8" DEEP INTO THE RAIL AT THE MARKED LOCATION.



JMP INSTRUCTIONALS:

HOW TO INSTALL A TANGENT RAIL



JMPWOOD.COM
KING OF STAIR PARTS

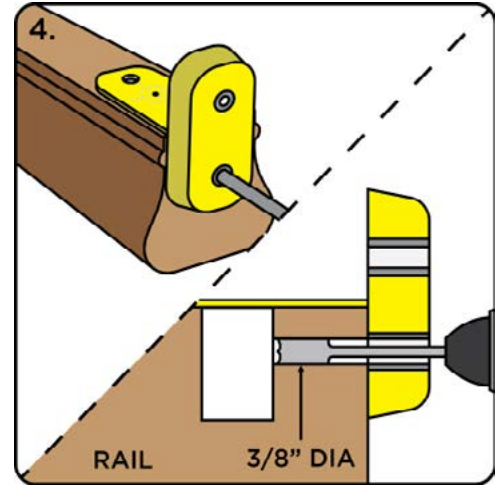
T: 718.303.7777
E: info@jmpwood.com

4

DRILL A 3/8" HOLE:

ALIGN THE RAILBOLT DRILL GUIDE TO THE CENTER OF THE RAIL, MAKING SURE THE SIDE WITH THE 3/8" DIAMETER HOLE IS POSITIONED OVER THE END OF THE RAIL.

DRILL A HOLE USING THE [IRWIN SPEEDBOR 3/8" SPADE DRILL BIT](#) UNTIL IT BREACHES THE HOLE DRILLED IN [STEP 3](#).

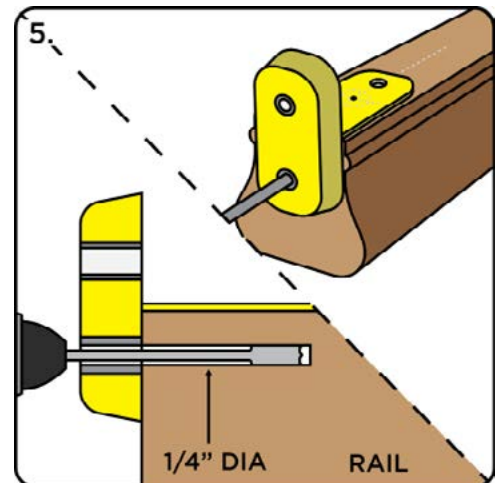


5

DRILL A 1/4" HOLE:

ALIGN THE RAILBOLT DRILL GUIDE TO THE CENTER OF THE OTHER RAIL, MAKING SURE THE SIDE WITH THE 1/4" DIAMETER HOLE IS POSITIONED OVER THE END OF THE RAIL.

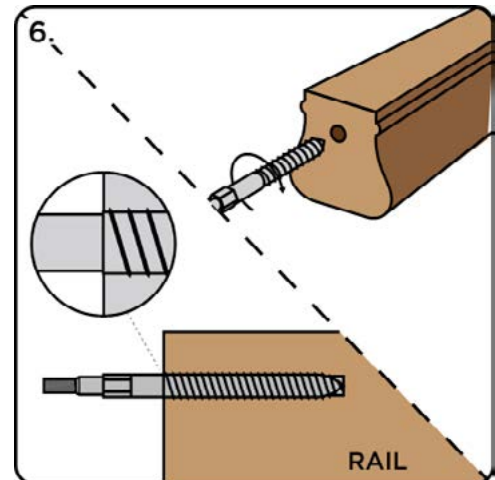
DRILL A HOLE USING THE [IRWIN SPEEDBOR 1/4" SPADE DRILL BIT](#) ROUGHLY 2-1/4" DEEP.



6

SCREW IN ZIPBOLT SHAFT:

SCREW IN THE [ZIPBOLT SHAFT](#) UNTIL THE THREADS ARE FLUSH WITH THE SURFACE OF THE HANDRAIL.



JMP INSTRUCTIONALS:

HOW TO INSTALL A TANGENT RAIL



JMPWOOD.COM
KING OF STAIR PARTS

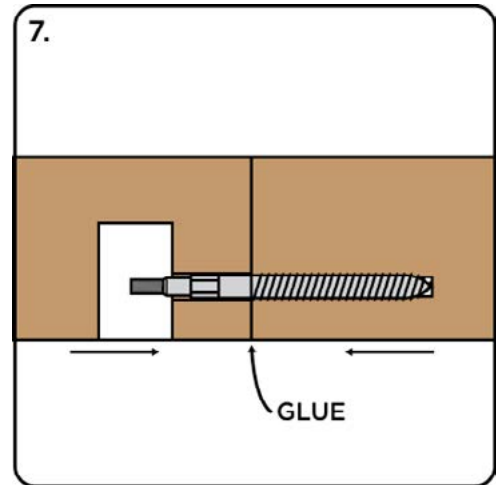
T: 718.303.7777
E: info@jmpwood.com

7

JOIN THE RAILS:

APPLY ADHESIVE TO THE JOINING SURFACES.

INSERT THE SHAFT INTO THE 3/8" HOLE. WE RECOMMEND USING [TITEBOND II PREMIUM INTERIOR & EXTERIOR WOOD GLUE](#).



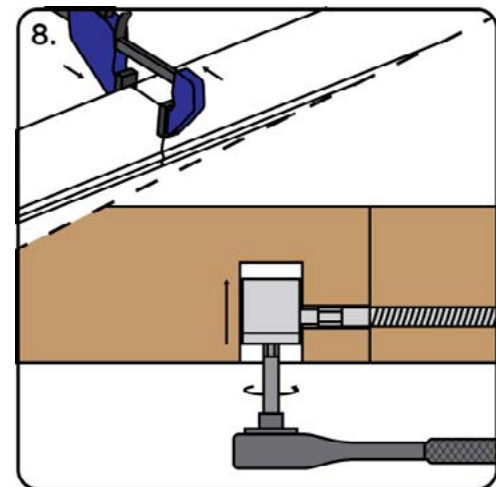
8

TIGHTEN DOWN THE CONNECTION:

USE A IRWIN QUICK CLAMP TO MAKE SURE THE HANDRAILS ARE ALIGNED WHILE TIGHTENING THE ZIPBOLT CAM.

TIGHTEN THE CAM DOWN USING THE [IRWIN QUICK-GRIP](#).

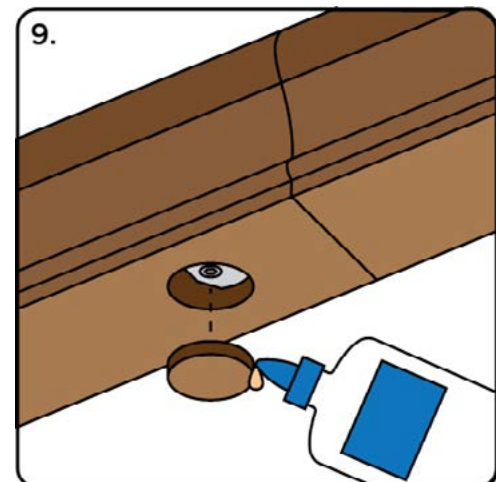
WE RECOMMEND LEAVING THE RAIL CLAMPED FOR 24 HOURS WHILE THE GLUE SETS.



9

PLUG AND FINISH:

USE WOOD GLUE AND PLUG THE HOLE WITH THE PLUG THAT CAME WITH THE ZIPBOLT.





NOTICE: FAILURE TO PROPERLY SECURE THE HANDRAIL IS DANGEROUS.

**IT IS IMPERATIVE THAT THE POST IS PROPERLY SECURED TO THE POST.
IMPROPER MOUNTING CAN RESULT IN DEATH OR INJURY.**



NOTICE



Important Note: Consumer Self-Installation

Please note that you if have chosen to install the product yourself. It is crucial to emphasize that you, as the consumer, are solely responsible for the installation process. We highly recommend adhering to your local building codes, regulations, and guidelines while installing our product. Local codes vary, and it is your responsibility to comply with them to guarantee a safe and secure installation.

JMPWood Disclaimer:

JMPWood assumes no liability for any risks, damages, or issues that may arise due to improper installation. Our installation guide is provided as a reference, but it is not a substitute for professional installation services. If you are unsure about any step of the installation process, we strongly recommend consulting a qualified professional or contractor.