

JMP INSTRUCTIONALS:

HOW TO INSTALL A POST TO POST BALCONY RAIL

SUPPLIES: CLICK EACH ITEM TO ADD TO CART



ZIPBOLT SLIPFIX RAILBOLT
13.810



ZIPBOLT SIDE RATCHET TOOL
40.310



DEWALT 16 OZ. FIBERGLASS HAMMER



STANLEY FATMAX CLASSIC TAPE MEASURE

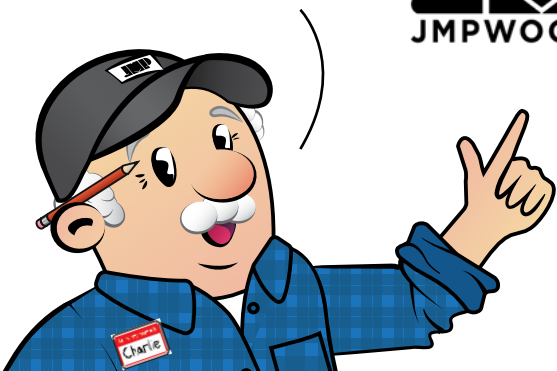


TITEBOND II PREMIUM INTERIOR & EXTERIOR WOOD GLUE



ZIPBOLT RAILBOLT DRILL GUIDE
40.260

"COME GET YA STAIR PARTS!"



IRWIN SPEEDBOR 3/8" SPADE DRILL BIT



DIABLO 1" FORSTNER DRILL BIT

JMP INSTRUCTIONALS:

HOW TO INSTALL A POST TO POST BALCONY RAIL

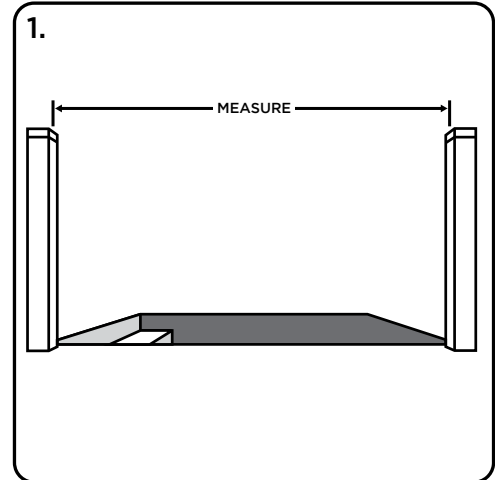
1

MEASURE DISTANCE BETWEEN POSTS:

MEASURE THE DISTANCE BETWEEN THE POSTS AND CUT YOUR RAILING TO THAT SIZE.

IT IS RECOMMENDED YOU DRY FIT THE RAIL BETWEEN THE POST TO MAKE SURE THE LENGTH IS CORRECT BEFORE PROCEEDING.

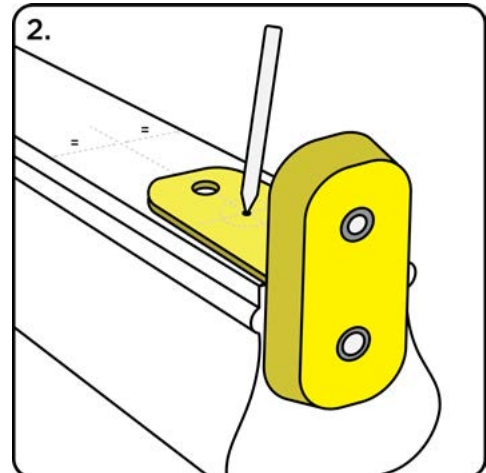
FOR INFORMATION REGARDING POST INSTALLATION, REFER TO "HOW TO INSTALL A POST" DOCUMENT.



2

MARK THE RAIL USING THE TEMPLATE:

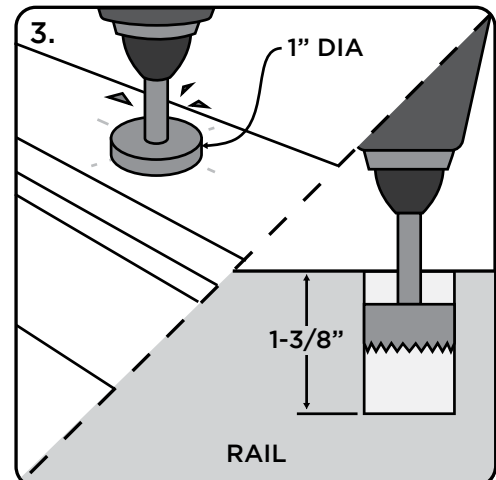
ALIGN THE [RAILBOLT DRILL GUIDE](#) WITH THE CENTER OF THE RAIL AND MARK AS DEPICTED.



3

DRILL A 1" HOLE:

USING A [DIABLO 1" FORSTNER BIT](#), DRILL A HOLE ROUGHLY 1-3/8" DEEP INTO THE RAIL AT THE MARKED LOCATION.



JMP INSTRUCTIONALS:

HOW TO INSTALL A POST TO POST BALCONY RAIL

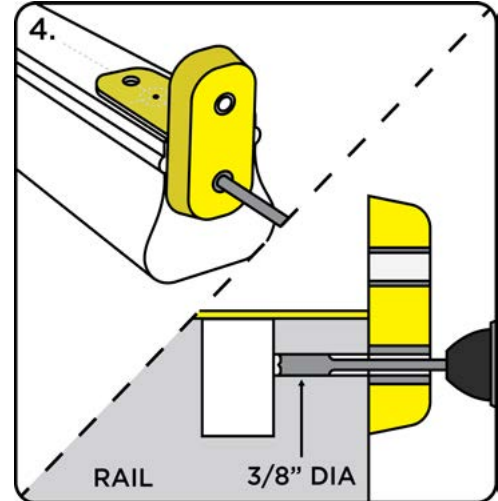
4

DRILL A 3/8" HOLE

ALIGN THE RAILBOLT DRILL GUIDE TO THE CENTER OF THE RAIL, MAKING SURE THE SIDE WITH THE 3/8" DIAMETER HOLE IS POSITIONED OVER THE END OF THE RAIL.

DRILL A HOLE USING THE [IRWIN SPEEDBOR 3/8" SPADE DRILL BIT](#) UNTIL IT BREACHES THE HOLE DRILLED IN [STEP 3](#).

REPEAT PROCESSES 2-4 TO THE OTHER END OF THE RAIL.



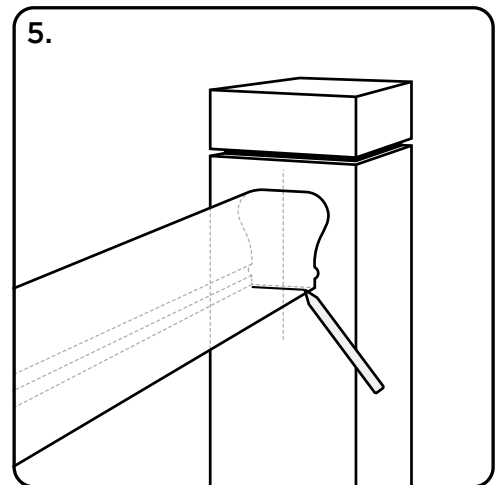
5

POSITION AND MARK BOTTOM OF RAIL:

POSITION THE RAIL BETWEEN THE POSTS AT ITS DESIRED LOCATION.

USE A LEVEL TO MAKE SURE THE RAIL IS LEVEL BETWEEN THE POSTS.

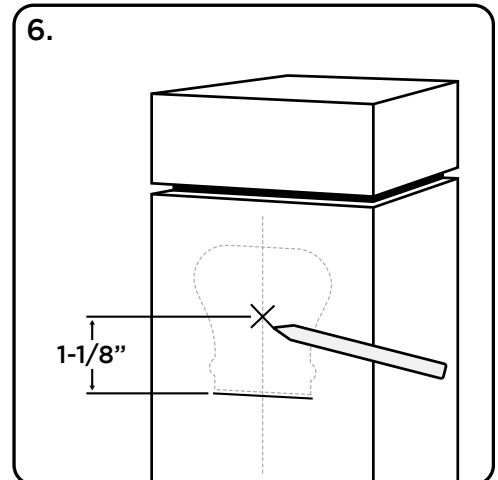
MARK BOTH POSTS ALONG THE BOTTOM OF THE RAIL



6

MARK THE CENTERPOINT FOR SLIP PLATE:

MEASURE 1-1/8" FROM LINE IN THE CENTER OF THE POST AND MARK.



JMP INSTRUCTIONALS:

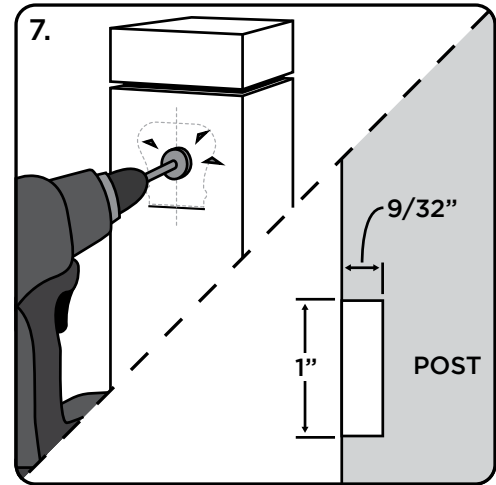
HOW TO INSTALL A POST TO POST BALCONY RAIL

7

DRILL A 1" HOLE:

USING A 1" FORSTNER BIT, DRILL A HOLE ROUGHLY 9/32" DEEP, OR UNTIL THE FACEPLATE IS FLUSH WITH THE SURFACE OF THE POST.

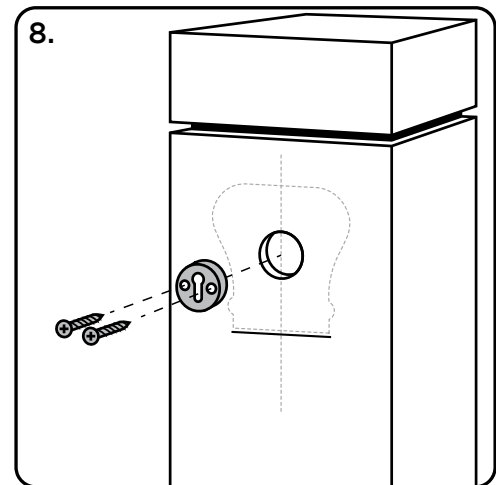
IT IS RECOMMENDED THAT YOU CHECK AS YOU GO.



8

AFIX THE FACEPLATE TO THE POST:

INSERT THE FACEPLATE INTO THE POST AND ATTACH IT WITH THE SCREWS PROVIDED.



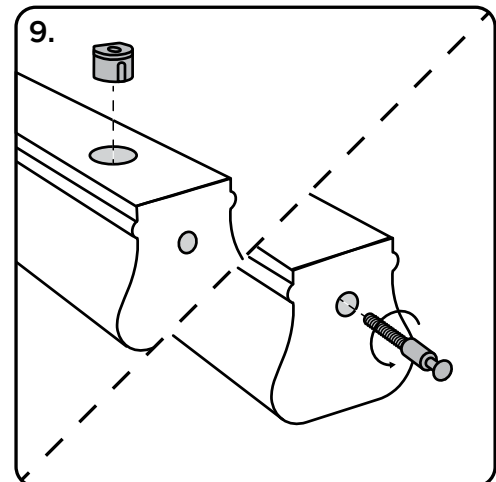
9

INSERT CAM AND THREAD BOLT:

DROP CAM INTO THE 1" HOLE CREATED IN [STEP 3](#).

REVERSE THREAD THE BOLT INTO THE CAM THROUGH THE 3/8" HOLE CREATED IN [STEP 4](#).

REPEAT PROCESSES 6-9 FOR THE OTHER END OF THE RAIL.



JMP INSTRUCTIONALS:

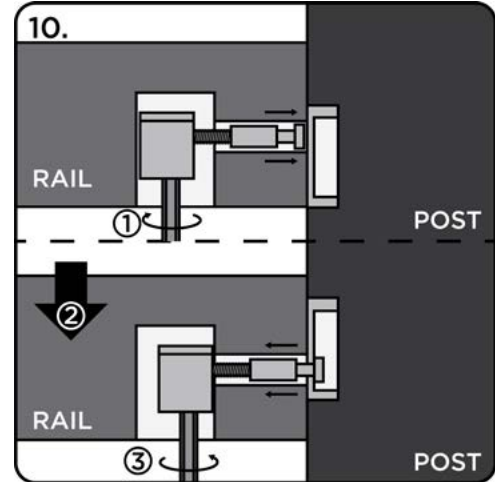
HOW TO INSTALL A POST TO POST BALCONY RAIL

10

LOCK THE RAIL IN PLACE:

POSITION THE HANDRAIL BETWEEN THE TWO POSTS, ALIGNING THE BOLTS WITH THE SLIPFIX PLATE

- 1) LOOSEN THE CAM TO EXTEND THE BOLT INTO THE SLIPFIX PLATE.
- 2) ONCE THE BOLT HAS ENGAGED THE PLATE, PUSH THE RAIL DOWN TO SET THE BOLT INTO POSITION
- 3) TIGHTEN THE CAM TO RETRACT THE BOLT, LOCKING THE RAIL INTO POSITION. DO NOT TIGHTEN ALL THE WAY.



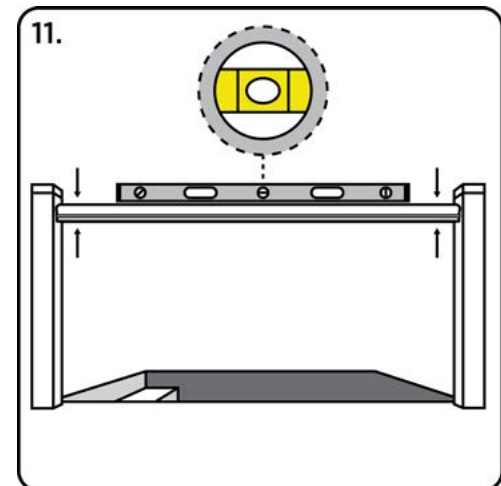
11

CHECK WITH A LEVEL:

ONCE YOU HAVE SUCCESSFULLY ATTACHED THE RAIL, CHECK THE RAIL TO ENSURE THAT IT IS LEVEL.

IF NECESSARY, YOU CAN SHIFT THE RAIL SLIGHTLY UP OR DOWN TO LEVEL THE RAIL.

ONCE THE RAIL IS LEVEL, YOU CAN TIGHTEN THE CAMS DOWN.



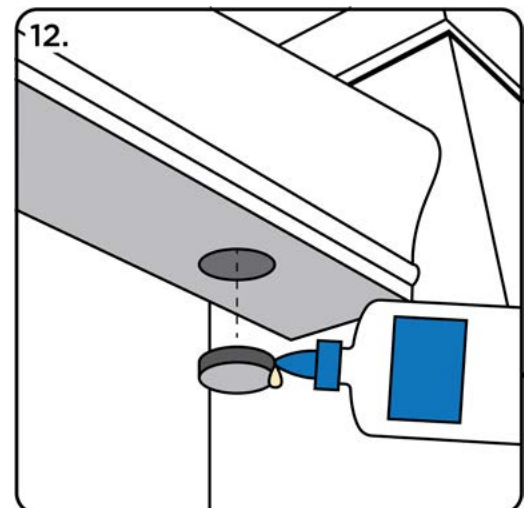
12

PLUG AND FINISH:

GLUE IN THE PLUG INCLUDED WITH YOUR [ZIPBOLT SLIPFIX SYSTEM](#). WE RECOMMEND USING TITEBOND II PREMIUM INTERIOR & EXTERIOR WOOD GLUE.

TAP UNTIL SLIGHTLY FLUSH WITH THE SURFACE OF THE POST.

LET DRY FOR 24 HOURS AND FINISH WITH SANDPAPER.





NOTICE: FAILURE TO PROPERLY SECURE POSTS CAN BE DANGEROUS.

IT IS IMPERATIVE THAT THE POST IS PROPERLY SECURED INTO FLOOR JOISTS. IMPROPER MOUNTING CAN RESULT IN DEATH OR INJURY.



NOTICE: FAILURE TO PROPERLY SECURE THE HANDRAIL IS DANGEROUS.

IT IS IMPERATIVE THAT THE POST IS PROPERLY SECURED TO THE POST. IMPROPER MOUNTING CAN RESULT IN DEATH OR INJURY.



NOTICE



Important Note: Consumer Self-Installation

Please note that you if have chosen to install the product yourself. It is crucial to emphasize that you, as the consumer, are solely responsible for the installation process. We highly recommend adhering to your local building codes, regulations, and guidelines while installing our product. Local codes vary, and it is your responsibility to comply with them to guarantee a safe and secure installation.

JMPWood Disclaimer:

JMPWood assumes no liability for any risks, damages, or issues that may arise due to improper installation. Our installation guide is provided as a reference, but it is not a substitute for professional installation services. If you are unsure about any step of the installation process, we strongly recommend consulting a qualified professional or contractor.