

JMP INSTRUCTIONALS:

HOW TO INSTALL A POST



JMPWOOD.COM
KING OF STAIR PARTS

T: 908.777.1567

E: Team@jmpwood.com

SUPPLIES:



ZIPBOLT SUPER UT POST FASTENER 14.110



ZIPBOLT SIDE RATCHET TOOL 40.310



DEWALT 16 OZ. FIBERGLASS HAMMER



STANLEY FATMAX CLASSIC TAPE MEASURE

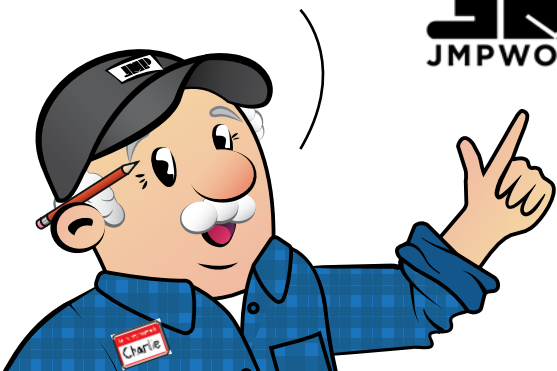


TITEBOND II PREMIUM INTERIOR & EXTERIOR WOOD GLUE



DIABLO 1-1/2" FORSTNER DRILL BIT

"COME GET YA STAIR PARTS!"



IRWIN SPEEDBOR 3/8" SPADE DRILL BIT



IRWIN SPEEDBOR 5/8" SPADE DRILL BIT

JMP INSTRUCTIONALS:

HOW TO INSTALL A POST



JMPWOOD.COM
KING OF STAIR PARTS

T: 718.303.7777
E: info@jmpwood.com

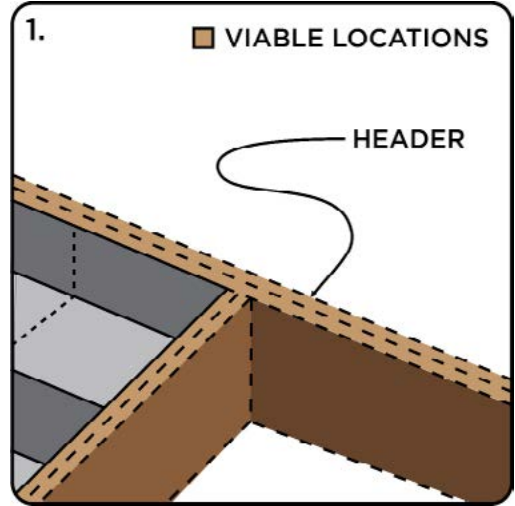
1

LOCATE WHERE TO MOUNT THE POST:

THERE ARE TYPICALLY SOLID BEAMS THAT FRAME THE OPENING OF THE STAIRCASE. THESE ARE WHERE YOU INSTALL THE POST.

FAILURE TO INSTALL THE POST CORRECTLY INTO A FLOOR JOIST CAN RESULT IN INJURY OR DEATH.

IF AT ALL POSSIBLE IT IS RECOMMENDED YOU INSPECT THE UNDERSIDE OF YOUR STAIRS TO LOCATE THE JOISTS, EITHER VIA CRAWLSPACE OR BASEMENT.



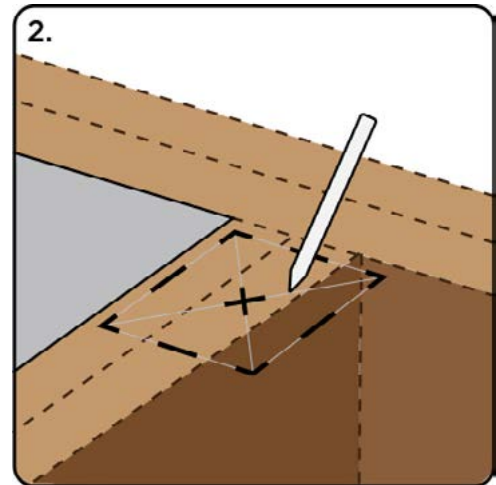
2

MARK CENTER OF THE POST:

PLACE YOUR POST INTO POSITION AND MARK THE PERIMETER OF YOUR POST WITH A PENCIL.

NEXT, DRAW LINES ACROSS THE SQUARE'S DIAGONALS.

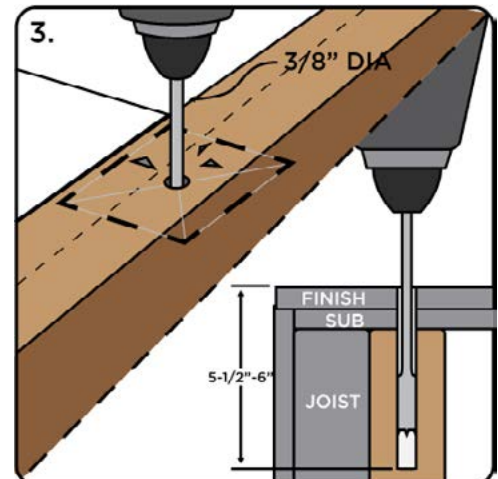
THIS WILL MARK THE POST'S CENTER.



3

DRILL A 3/8" HOLE:

USING THE [IRWIN SPEEDBOR 3/8" SPADE DRILL BIT](#), DRILL A HOLE ROUGHLY 5 1/2"-6" DEEP



JMP INSTRUCTIONALS:

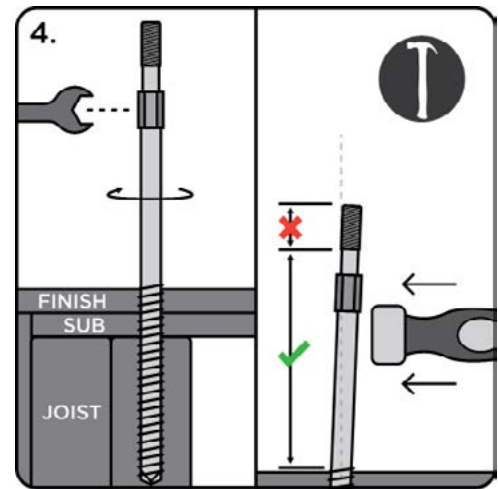
HOW TO INSTALL A POST

4

SCREW IN THE ZIPBOLT:

USING A WRENCH, TIGHTEN DOWN THE BOLT UNTIL THE THREADS HAVE SUNKEN BELOW THE FLOOR.

IF THE BOLT SEEMS OFF CENTER, TAP THE BOLT STRAIGHT WITH A HAMMER. ENSURE THAT YOU DO NOT HIT THE THREADED END TO NOT DAMAGE THE THREADS.

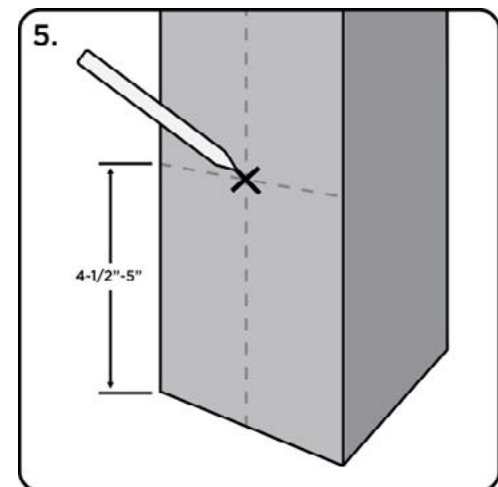


5

MEASURE AND MARK:

MEASURE FROM THE BOTTOM OF THE POST 4-1/2" - 5" UP.

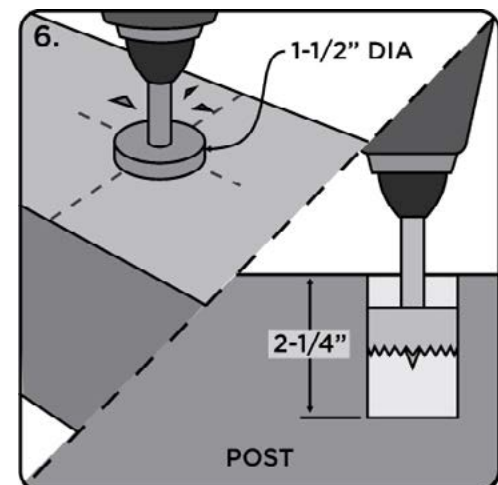
MARK CENTER OF THE POST.



6

DRILL A 1-1/2" HOLE:

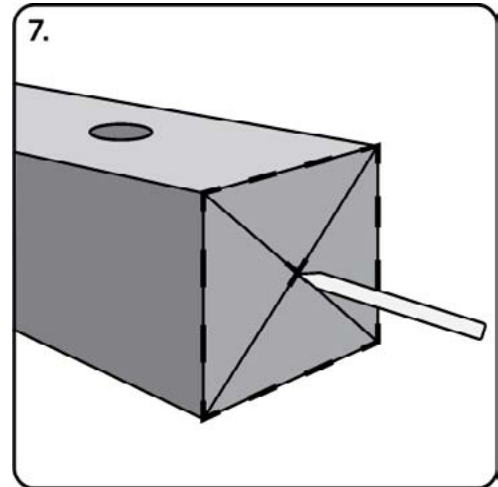
USING A [DIABLO 1-1/2" FORSTNER BIT](#), DRILL A HOLE ROUGHLY 2-1/4" DEEP INTO THE POST.



7

MARK CENTER ON THE BOTTOM OF THE POST:

DRAW TWO LINES ACROSS THE POSTS DIAGONALS TO MARK THE CENTER.

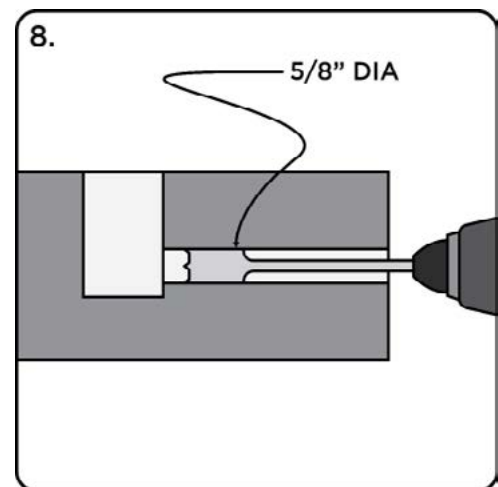


8

DRILL A 5/8" HOLE:

USING A [IRWIN SPEEDBOR 5/8" SPADE DRILL BIT](#), DRILL A HOLE UNTIL IT BREACHES THE HOLE DRILLED IN STEP 6.

BE SURE TO DRILL THIS STRAIGHT INTO THE POST. IT IS RECOMMENDED YOU STAND THE POST ON ONE END TO MAKE THIS EASIER.



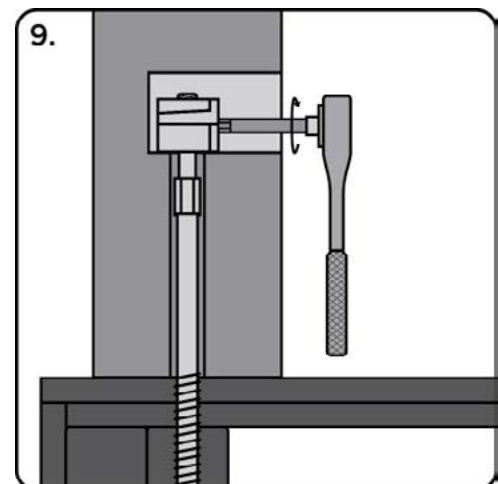
9

POSITION POST AND TIGHTEN THE CAM LOCK:

SLIDE THE POST OVER THE ZIPBOLT WHICH WAS SCREWED INTO PLACE IN STEP 4.

SLIP THE ZIPBOLT'S CAM LOCK INTO THE SECOND HOLE ONTO THE BOLT'S THREADS.

HAND TIGHTEN WITH THE [ZIPBOLT SIDE RATCHET TOOL](#), ADJUST THE POST SO THAT IT IS SQUARE WITH THE STAIR OPENING, AND LOCK INTO POSITION WITH AN IMPACT DRIVER.



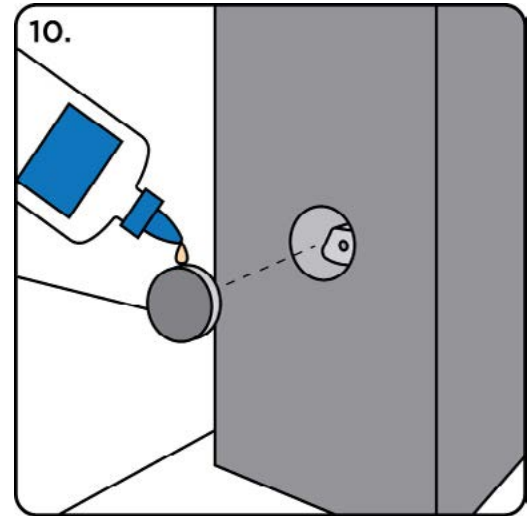
10

PLUG THE HOLE:

GLUE IN THE PLUG INCLUDED WITH YOUR ZIPBOLT SYSTEM. WE RECOMMEND USING [TITEBOND II PREMIUM INTERIOR & EXTERIOR WOOD GLUE](#).

TAP UNTIL SLIGHTLY FLUSH WITH THE SURFACE OF THE POST.

LET DRY FOR 24 HOURS AND FINISH WITH SANDPAPER.



NOTICE: FAILURE TO PROPERLY SECURE POSTS CAN BE DANGEROUS.

IT IS IMPERATIVE THAT THE POST IS PROPERLY SECURED INTO FLOOR JOISTS. IMPROPER MOUNTING CAN RESULT IN DEATH OR INJURY.



NOTICE



Important Note: Consumer Self-Installation

Please note that you if have chosen to install the product yourself. It is crucial to emphasize that you, as the consumer, are solely responsible for the installation process. We highly recommend adhering to your local building codes, regulations, and guidelines while installing our product. Local codes vary, and it is your responsibility to comply with them to guarantee a safe and secure installation.

JMPWood Disclaimer:

JMPWood assumes no liability for any risks, damages, or issues that may arise due to improper installation. Our installation guide is provided as a reference, but it is not a substitute for professional installation services. If you are unsure about any step of the installation process, we strongly recommend consulting a qualified professional or contractor.

