

JMP INSTRUCTIONALS:

HOW TO INSTALL IRON BALUSTERS ON A KNEE WALL

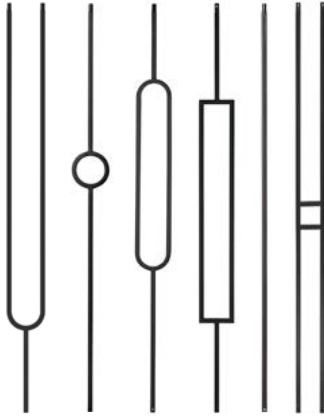


KING OF STAIR PARTS

T: 908.777.1567

E: Team@jmpwood.com

SUPPLIES: CLICK ITEM TO ADD TO CART



METAL BALUSTERS



BALUSTER SLANT SHOES FOR CORRESPONDING BALUSTERS



STANLEY FATMAX CLASSIC TAPE MEASURE



PC SUPER EPOXY AND EPOXY DISPENSING

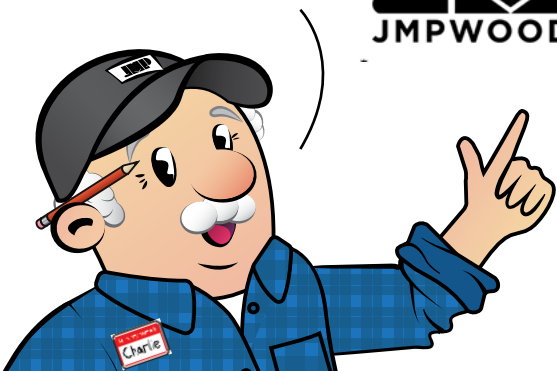


Diablo Metal Dual Cut & Grind Disc



DEWALT SMALL ANGLE GRINDER DWE4011

"COME GET YA STAIR PARTS!"



JOHNSON 48" ALUMINUM LEVEL



IRWIN SPEEDBOR SPADE DRILL BIT FOR CORRESPONDING BALUSTER DIAMETER.

JMP INSTRUCTIONALS:

HOW TO INSTALL IRON BALUSTERS ON A KNEE WALL

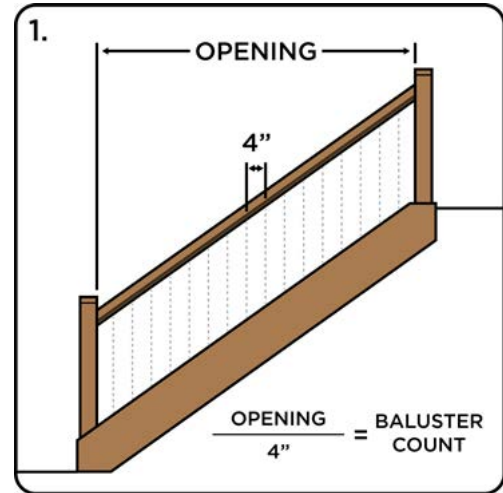
1

FIND YOUR BALUSTER COUNT:

MEASURE THE OPENING FROM POST TO POST IN INCHES AS DEPICTED.

TAKE THAT MEASUREMENT AND DIVIDE IT BY 4. ROUND THAT TOTAL UP TO THE NEAREST WHOLE NUMBER. THIS IS YOUR BALUSTER COUNT.

NOTE: THE BALUSTER COUNT CALCULATED WILL LEAVE YOU WITH 1 EXTRA PIECE DUE TO THE ROUNDING.



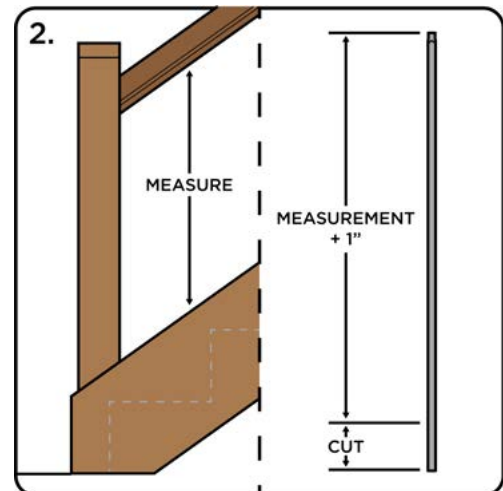
2

MEASURE AND CUT:

MEASURE AND RECORD THE DISTANCE FROM THE FLOOR TO THE BOTTOM OF THE HANDRAIL.

TAKE THE MEASUREMENT, ADD 1" TO THE LENGTH AND CUT YOUR BALUSTERS AT THAT LENGTH.

BALUSTERS WITH DESIGN ELEMENTS CAN BE CUT FROM BOTH ENDS TO CENTER THE DESIGN IN THE MIDDLE OF THE OPENING.

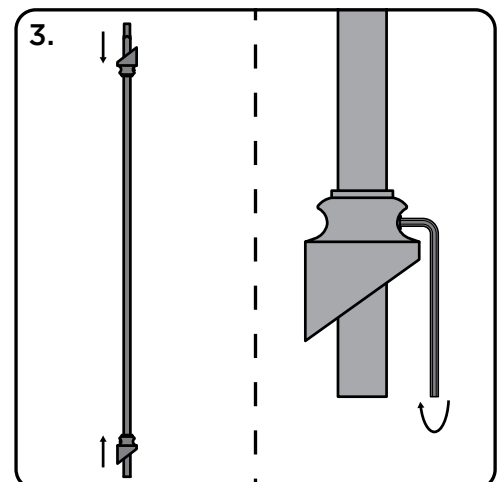


3

ATTACH SHOES:

SLIDE SHOES ONTO BALUSTER AND SLIGHTLY TIGHTEN DOWN THE SET SCREW USING AN HEX KEY SO THAT IT REMAINS IN PLACE.

TOP SHOES ARE OPTIONAL.



JMP INSTRUCTIONALS:

HOW TO INSTALL IRON BALUSTERS ON A KNEE WALL

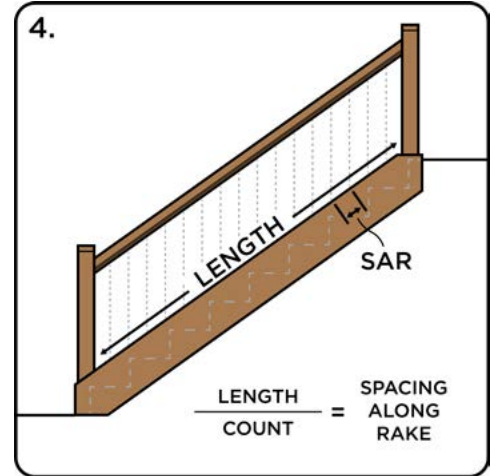
4

MEASURE ALONG RAKE OF THE STAIR:

MEASURE THE KNEE WALL LENGTH IN INCHES.

DIVIDE THIS LENGTH BY THE TOTAL OF BALUSTERS CALCULATED IN THE [STEP 1](#).

THIS VALUE WILL BE THE SPACING OF YOUR BALUSTERS ALONG THE KNEE WALL.

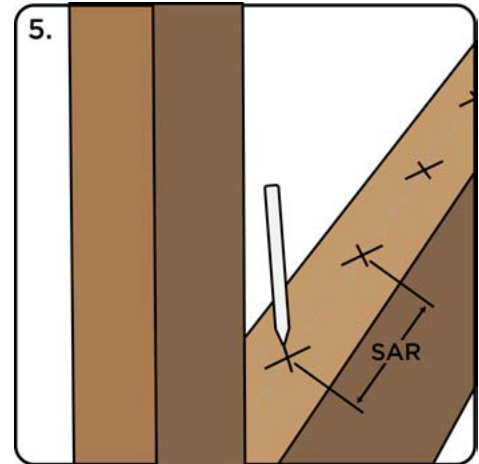


5

MARK POINTS FOR YOUR BALUSTERS:

MEASURE THE WIDTH OF THE KNEE WALL AND MARK A CENTERLINE.

TRANSFER YOU SAR MEASUREMENT (SPACING ALONG RAKE) ALONG THE CENTERLINE WITH THE USE OF A TAPE MEASURE OR COMPASS.



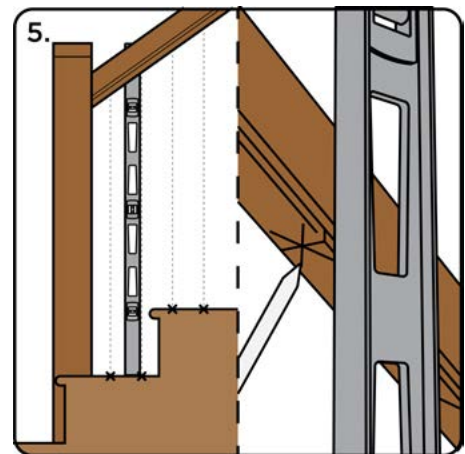
6

MARK THE BOTTOM OF THE RAIL:

ALIGN A LEVEL TO THE MARKS ON THE KNEE WALL.

MAKE SURE THE LEVEL IS PERPENDICULAR TO THE FLOOR USING THE VIALS ON THE [LEVEL](#).

MARK THE UNDERSIDE OF THE RAIL ON CENTER.



JMP INSTRUCTIONALS:

HOW TO INSTALL IRON BALUSTERS ON A KNEE WALL

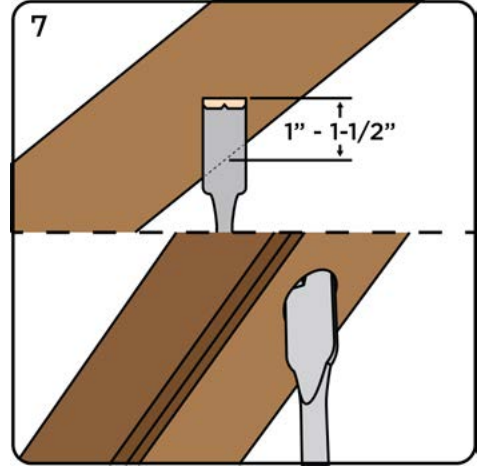
7

DRILL HOLES ALONG THE UNDERSIDE OF THE RAIL:

USING A [SPADE BIT](#) WHICH CORRESPONDS TO THE DIAMETER OF THE BALUSTERS, DRILL A HOLE ROUGHLY 1" - 1-1/2" DEEP.

BE SURE YOU ARE DRILLING PERPENDICULAR TO THE FLOOR.

1/2" BALUSTER -> [5/8" BIT](#)
9/16" BALUSTER -> [11/16" BIT](#)



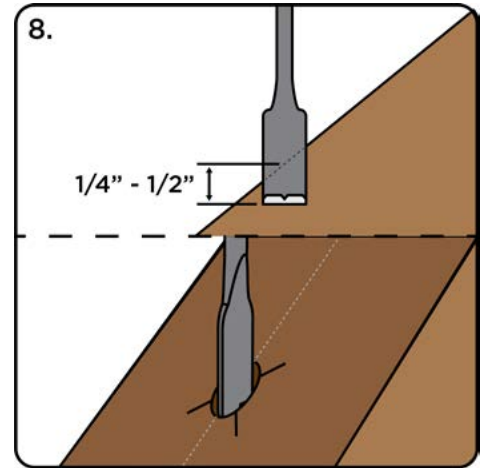
8

DRILL HOLES ALONG THE SURFACE OF THE KNEE WALL:

USING A SPADE BIT WHICH CORRESPONDS TO THE DIAMETER OF THE BALUSTERS, DRILL A HOLE ROUGHLY 1/4" - 1/2" DEEP.

BE SURE YOU ARE DRILLING PERPENDICULAR TO THE FLOOR.

1/2" BALUSTER -> 5/8" BIT
9/16" BALUSTER -> 11/16" BIT

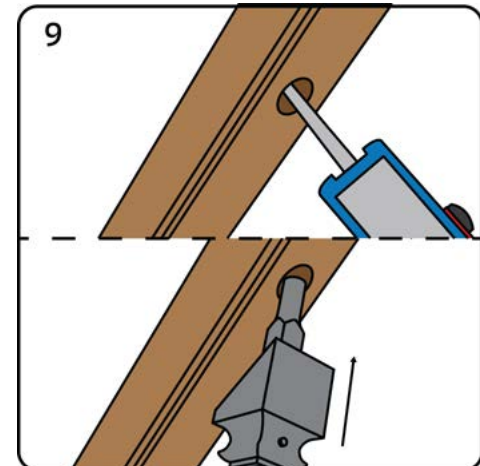


9

APPLY EPOXY AND INSERT THE BALUSTER:

SHOOT SOME [CONSTRUCTION ADHESIVE](#) INTO THE HOLE ON THE UNDERSIDE OF THE RAIL.

INSERT THE TOP OF THE BALUSTER INTO THE HOLE.

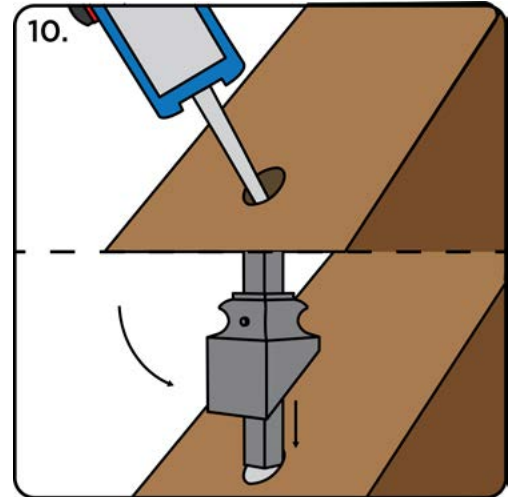


10

APPLY EPOXY AND INSERT THE BALUSTER:

SHOOT SOME **EPOXY** INTO THE HOLE IN THE KNEE WALL.

LIFT THE BALUSTER, SWING IT INTO POSITION ABOVE THE BOTTOM HOLE, AND PUSH IT INTO PLACE.

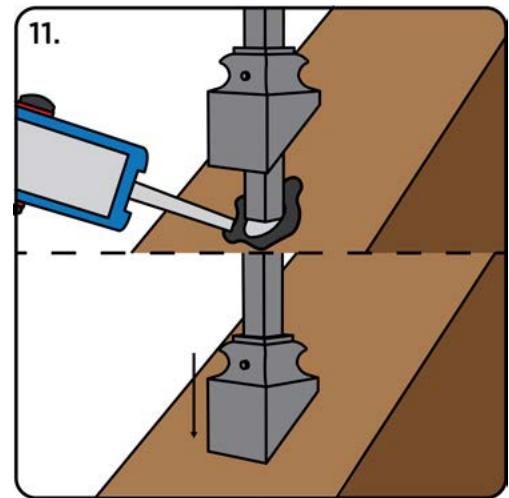


11

ADHERE THE SHOE IN PLACE:

APPLY SOME EPOXY TO THE BASE OF THE BALUSTER AS DEPICTED.

LOOSEN THE SET SCREW, SLIDE THE SHOE ALL THE WAY DOWN TO THE BASE, AND TIGHTEN DOWN THE SET SCREW.



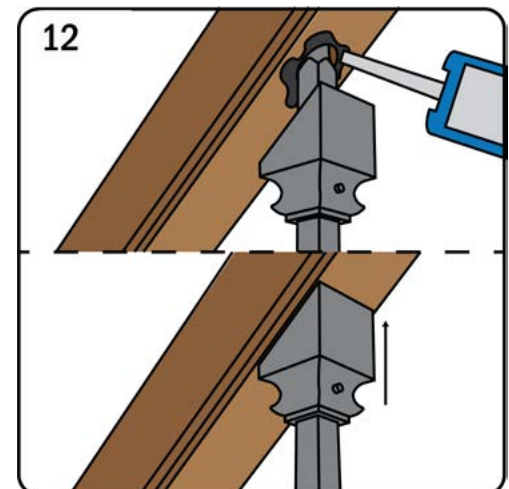
12

ADHERE THE SHOE IN PLACE:

APPLY SOME EPOXY TO THE TOP OF THE BALUSTER AS DEPICTED.

LOOSEN THE SET SCREW, SLIDE THE SHOE UP TO THE RAIL, AND TIGHTEN DOWN THE SET SCREW.

REPEAT STEPS 9-12 FOR THE REST OF THE BALUSTERS.



JMP INSTRUCTIONALS:

HOW TO INSTALL IRON BALUSTERS ON A KNEE WALL



NOTICE: FAILURE TO PROPERLY SECURE THE HANDRAIL IS DANGEROUS.

IT IS IMPERATIVE THAT THE BALUSTERS ARE SECURED TO THE RAIL AND FLOOR. IMPROPER MOUNTING CAN RESULT IN DEATH OR INJURY.



NOTICE: FAILURE TO PROPERLY SPACE THE BALUSTERS IS DANGEROUS.

MAX SPACE BETWEEN BALUSTERS IS 4". ANY SPACING GREATER THAN THIS CAN CAUSE AN ENTRAPMENT SCENARIO AND IS DANGEROUS FOR CHILDREN.



NOTICE



Important Note: Consumer Self-Installation

Please note that you if have chosen to install the product yourself. It is crucial to emphasize that you, as the consumer, are solely responsible for the installation process. We highly recommend adhering to your local building codes, regulations, and guidelines while installing our product. Local codes vary, and it is your responsibility to comply with them to guarantee a safe and secure installation.

JMPWood Disclaimer:

JMPWood assumes no liability for any risks, damages, or issues that may arise due to improper installation. Our installation guide is provided as a reference, but it is not a substitute for professional installation services. If you are unsure about any step of the installation process, we strongly recommend consulting a qualified professional or contractor.