

JMP INSTRUCTIONALS:

HOW TO INSTALL IRON BALCONY BALUSTERS

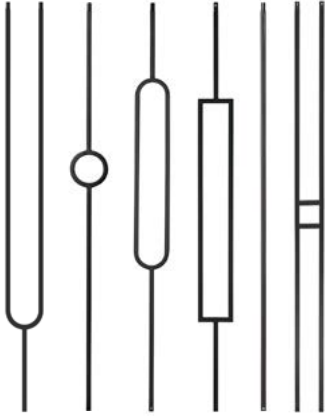


JMPWOOD.COM
KING OF STAIR PARTS

T: 908.777.1567

E: Team@jmpwood.com

SUPPLIES: CLICK EACH ITEM TO ADD TO CART



METAL BALUSTERS



BALUSTER SHOES FOR CORRESPONDING BALUSTERS



STANLEY FATMAX CLASSIC TAPE MEASURE



PC SUPER EPOXY AND EPOXY DISPENSING

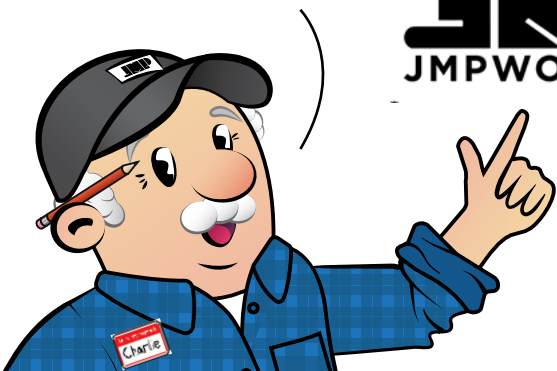


Diablo Metal Dual Cut & Grind Disc



DEWALT SMALL ANGLE GRINDER DWE4011

"COME GET YA STAIR PARTS!"

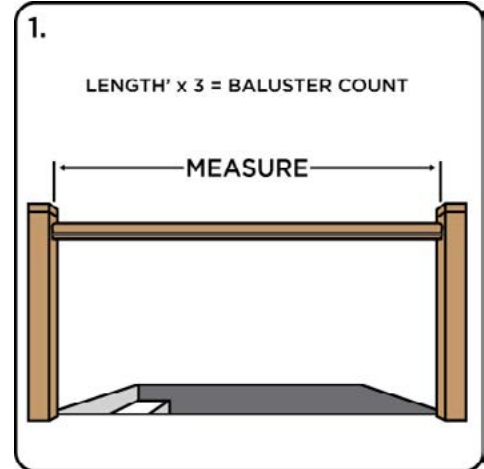


IRWIN SPEEDBOR SPADE DRILL BIT FOR CORRESPONDING BALUSTER DIAMETER.

1

FIND OUT HOW MANY BALUSTERS ARE NEED-

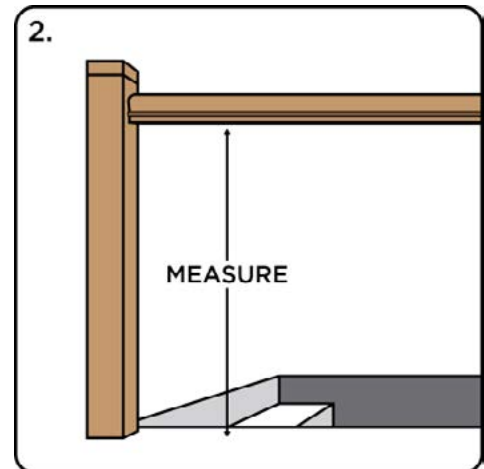
MEASURE YOUR RAIL LENGTH BETWEEN THE POSTS. TAKE THE LINEAR FEET AND MULTIPLY IT BY 3. THIS TOTAL REFLECTS ROUGHLY HOW MANY BALUSTERS ARE NECESSARY FOR THE BALCONY RAILING.



2

MEASURE FROM FLOOR TO BOTTOM OF THE RAIL:

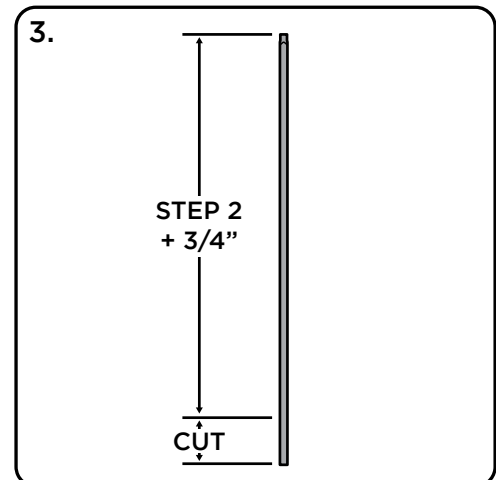
MEASURE AND RECORD THE DISTANCE FROM THE FLOOR TO THE BOTTOM OF THE HANDRAIL.



3

CUT BALUSTERS TO THE CORRECT HEIGHT:

TAKE THE MEASUREMENT RECORDED IN STEP 2, ADD 3/4" TO THE LENGTH AND CUT YOUR BALUSTERS AT THAT LENGTH.



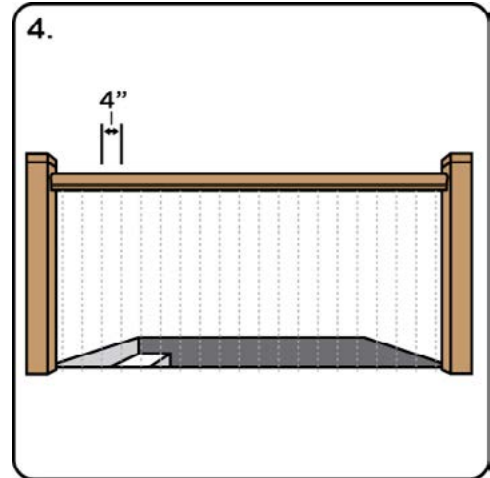
4

FIGURE OUT YOUR SPACING:

SPACING OF BALUSTERS CAN VARY BETWEEN DESIGNS, BUT AS A GENERAL RULE, 4" INCHES ON CENTER BETWEEN BALUSTERS WILL BE UP TO CODE.

BEFORE MOVING FORWARD, LAYOUT YOUR DESIGN ON A FLAT SURFACE AND ENSURE THAT THERE IS NO SPACE GREATER THAN 4" BETWEEN THE BALUSTERS.

BALUSTER SPACING ON THE ENDS CAN BE CHEATED IF NECESSARY, AS LONG AS THE SPACE BETWEEN THE POSTS AND BALUSTER IS NO GREATER THAN 4".



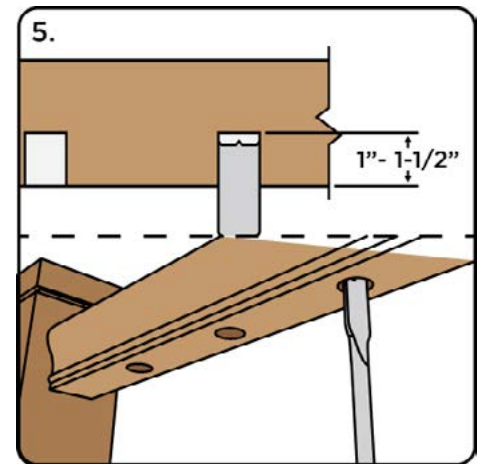
5

MARK AND DRILL YOUR TOP HOLES:

AFTER FIGURING OUT YOUR SPACING, USING A [TAPE MEASURE](#), MARK WHERE YOU NEED TO DRILL YOUR HOLES.

DRILL HOLES ALONG THE UNDERSIDE OF YOUR RAIL ROUGHLY 1" - 1-1/2" DEEP WITH A SPADE BIT THAT CORRELATES WITH THE DIAMETER OF YOUR BALUSTERS.

1/2" BALUSTER -> [5/8" BIT](#)
9/16" BALUSTER -> [11/16" BIT](#)



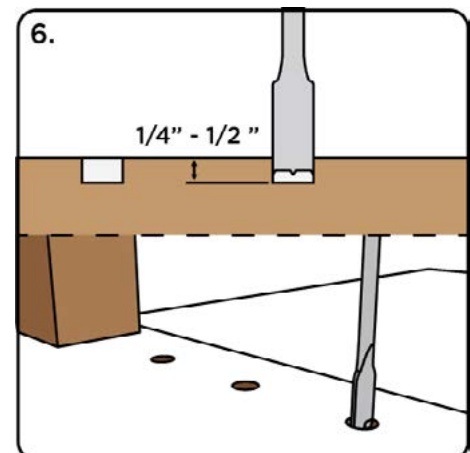
6

MARK AND DRILL YOUR BOTTOM HOLES:

USING A TAPE MEASURE, MARK WHERE YOU NEED TO DRILL YOUR HOLES.

DRILL HOLES ALONG THE UNDERSIDE OF YOUR RAIL ROUGHLY 1/4" - 1/2" DEEP WITH A SPADE BIT THAT CORRELATES WITH THE DIAMETER OF YOUR BALUSTERS.

1/2" BALUSTER -> [5/8" BIT](#)
9/16" BALUSTER -> [11/16" BIT](#)



JMP INSTRUCTIONALS:

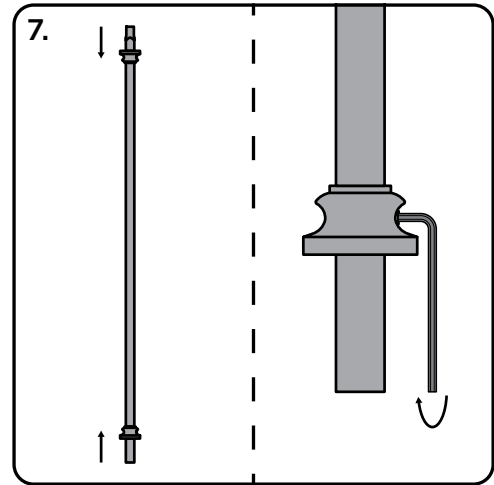
HOW TO INSTALL IRON BALCONY BALUSTERS

7

ATTACH SHOES:

SLIDE SHOES ONTO BALUSTER AND SLIGHTLY TIGHTEN DOWN THE SET SCREW USING AN HEX KEY SO THAT IT REMAINS IN PLACE.

TOP SHOES ARE OPTIONAL.

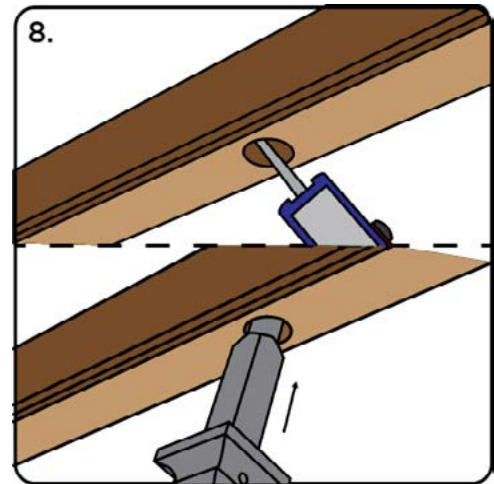


8

INSERT TOP OF BALUSTER FIRST:

SHOOT SOME **EPOXY** INTO THE HOLE ON THE UNDERSIDE OF THE RAIL.

INSERT THE TOP OF THE BALUSTER INTO THE HOLE.

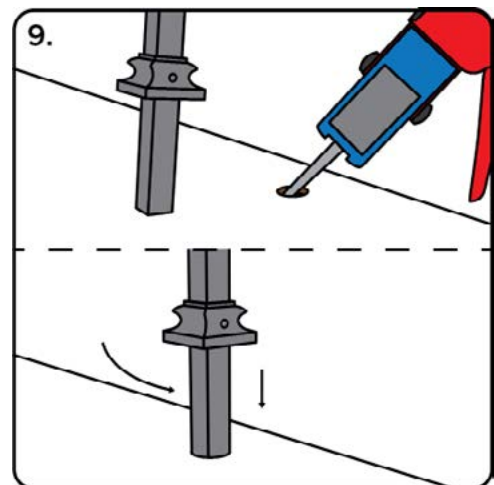


9

INSERT BOTTOM OF BALUSTER:

SHOOT SOME EPOXY INTO THE HOLE IN THE FLOOR.

LIFT THE BALUSTER, SWING IT INTO POSITION ABOVE THE BOTTOM HOLE, AND PUSH IT INTO PLACE.

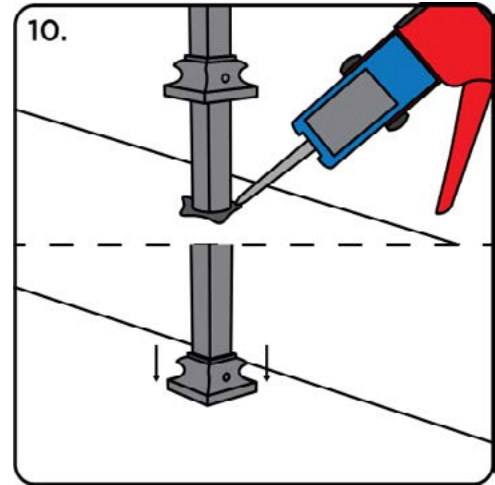


10

ADHERE THE SHOE IN PLACE:

APPLY SOME EPOXY TO THE BASE OF THE BALUSTER AS DEPICTED.

LOOSEN THE SET SCREW, SLIDE THE SHOE ALL THE WAY DOWN TO THE BASE, AND TIGHTEN DOWN THE SET SCREW.



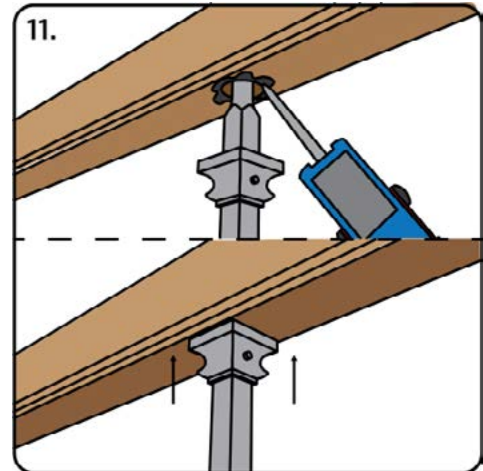
11

ADHERE THE SHOE IN PLACE:

APPLY SOME EPOXY TO THE TOP OF THE BALUSTER AS DEPICTED.

LOOSEN THE SET SCREW, SLIDE THE SHOE UP TO THE RAIL, AND TIGHTEN DOWN THE SET SCREW.

REPEAT STEPS [8-11](#) FOR THE REST OF THE BALUSTERS.



NOTICE: FAILURE TO PROPERLY SECURE THE HANDRAIL IS DANGEROUS.

IT IS IMPERATIVE THAT THE BALUSTERS ARE SECURED TO THE RAIL AND FLOOR. IMPROPER MOUNTING CAN RESULT IN DEATH OR INJURY.



NOTICE: FAILURE TO PROPERLY SPACE THE BALUSTERS IS DANGEROUS.

MAX SPACE BETWEEN BALUSTERS IS 4". ANY SPACING GREATER THAN THIS CAN CAUSE AN ENTRAPMENT SCENARIO AND IS DANGEROUS FOR CHILDREN.

JMP INSTRUCTIONALS:

HOW TO INSTALL IRON BALCONY BALUSTERS



NOTICE



Important Note: Consumer Self-Installation

Please note that you if have chosen to install the product yourself. It is crucial to emphasize that you, as the consumer, are solely responsible for the installation process. We highly recommend adhering to your local building codes, regulations, and guidelines while installing our product. Local codes vary, and it is your responsibility to comply with them to guarantee a safe and secure installation.

JMPWood Disclaimer:

JMPWood assumes no liability for any risks, damages, or issues that may arise due to improper installation. Our installation guide is provided as a reference, but it is not a substitute for professional installation services. If you are unsure about any step of the installation process, we strongly recommend consulting a qualified professional or contractor.