

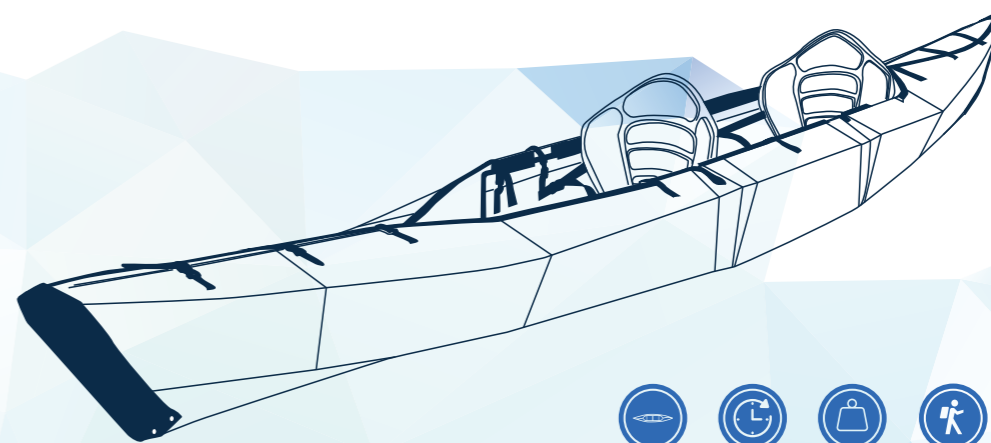
ENJOY
YOUR
PORTABLE
FOLDING KAYAK



ASSEMBLY
INSTRUCTIONS

**FOLDABLE
KAYAK K3**

Folding Tandem Kayak



Expand size:
490x78cm



5 min
assembly



Load
500 LBS



ONLY 40LBS



2 pers.



Store it.

Portable

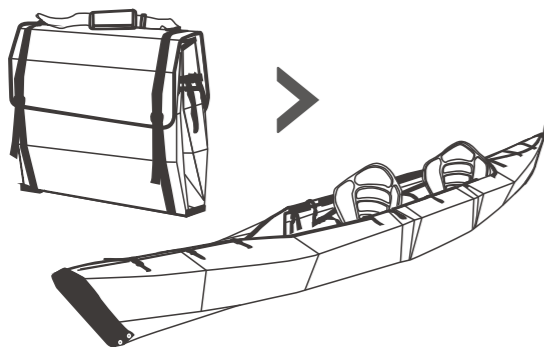
and Practical

Assembly Manual

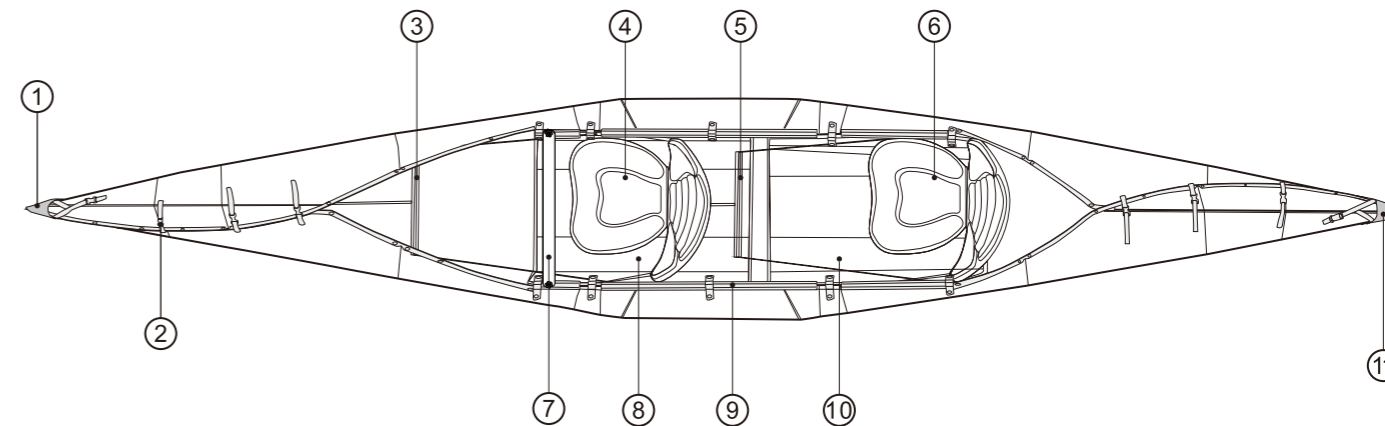
MODEL:K3

01/ LEARN ABOUT KAYAK PARAMETER

We use special formulation of polypropylene materials to make our kayak have the strength and streamlined design of hard boats, and better water resistance performance than inflatable kayaks. Our kayak has excellent controllability, and can be directly placed in the trunk of any car after folding.



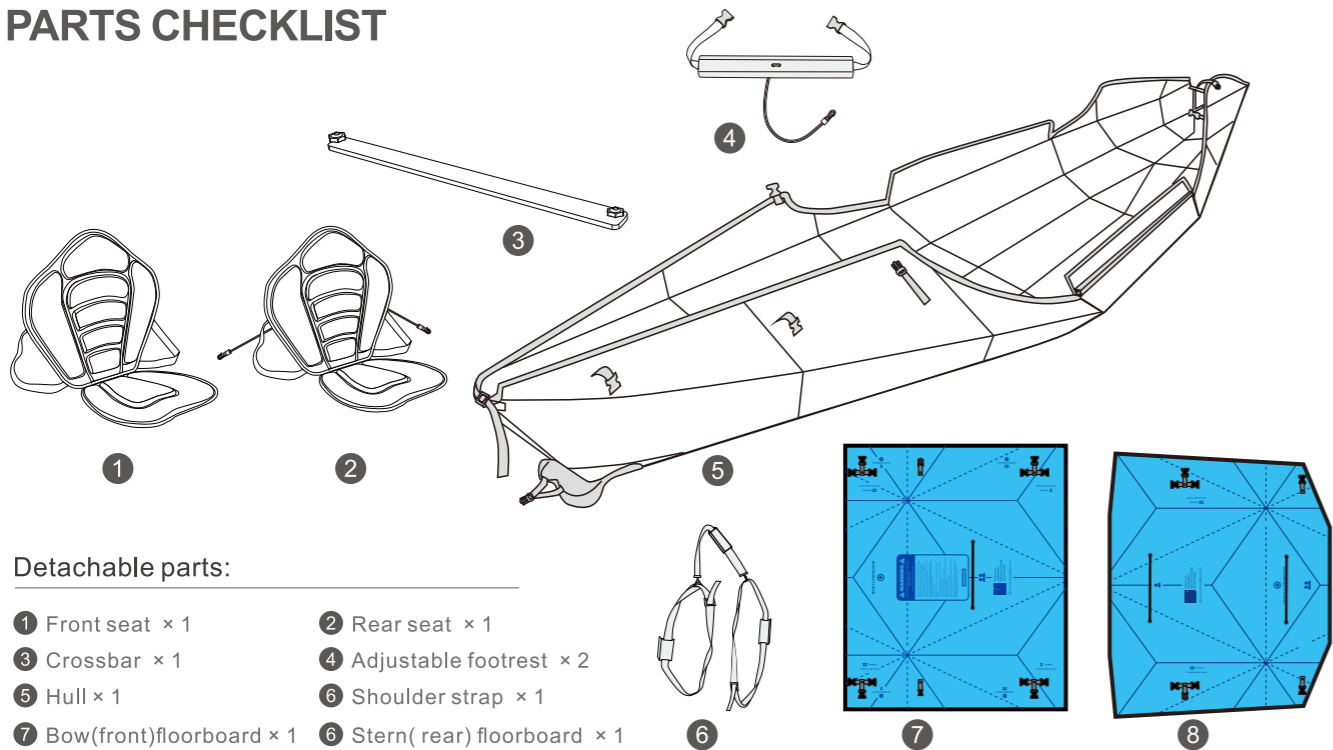
Fold size (hull)	33.5x28.3x13.7 inch (85 x 72 x 35cm)
Package size (outer case)	35x31x15.3 inch (89 x 79 x 39cm)
Expansion size	193x30.7x14.9 inch(490 x 78 x 38cm)
Cockpit size	94.4x20.4 inch(240 x 52cm)
Net weight	40.7lbs(18.5kg)
Gross weight of standard package	49.6lbs(22.5kg)
Maximum load	500lbs(226kgs)
Maximum anti-wind wave rating	Sea breeze 3
Folding durability	2000 times
Antioxidant life	3 year anti-aging
Wear resistance grade	primary (Customers are strictly prohibited to drag on the concrete floor)
Impact resistance level	Advanced, while handling, collision to the reef and other obstacles would slightly affect the hull. The kayak can be effective against impact.
Corrosion resistance	The material of hull is completely strong acid, alkali and salt resistance. The acid, alkali and salt resistance of accessories are 3 years.
Bag tensile strength	110 Pounds
Sailing speed	According to individual physical strength, effective speed can reach 7-12km/h(4.3-7.5 MPH)
Assembly time	Single person can assemble the kayak in 8-10 mins
Storage and folding	Single person in 10-15 mins



02/ KAYAK STRUCTURE

- | | | |
|------------------------------|-----------------------------|-----------------------------|
| 1. Bow(front) fairing | 5. Rear adjustable footrest | |
| 2. Buckles | 6. Kayak rear seat | 9. Accessory Mounting track |
| 3. Front adjustable footrest | 7. Crossbar | 10. Stern(rear) floorboard |
| 4. Kayak front seat | 8. Bow(front) floorboard | 11. Stern(rear) fairing |

03/ PARTS CHECKLIST



Detachable parts:

- ① Front seat × 1
- ② Rear seat × 1
- ③ Crossbar × 1
- ④ Adjustable footrest × 2
- ⑤ Hull × 1
- ⑥ Shoulder strap × 1
- ⑦ Bow(front)floorboard × 1
- ⑧ Stern(rear) floorboard × 1



YOUTUBE
KAYAK
ASSEMBLY
VIDEO

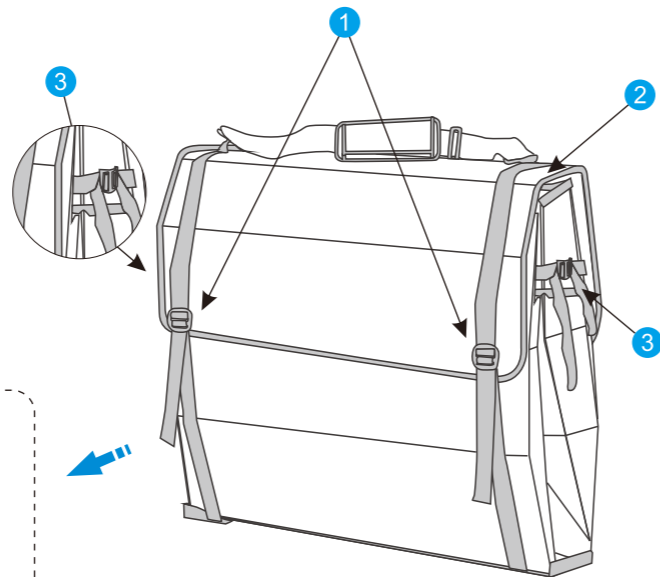
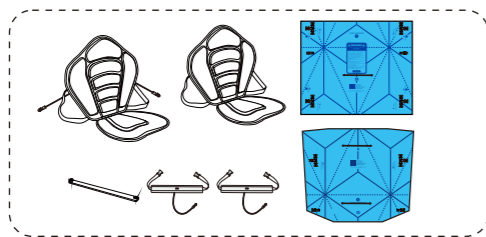


KAYAK ASSEMBLY GUIDE
MODEL:K3

01/ OPEN THE BOX

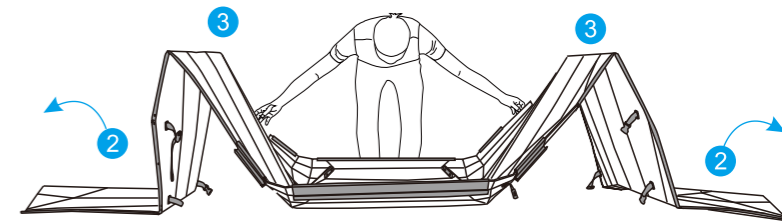
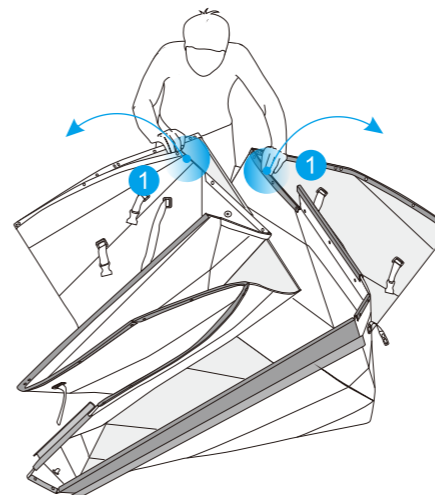
The box contains all the components needed for assembly

- 1 Loosen and slide off the two loops that go around box. Set shoulder strap aside (you won't need it while kayaking).
- 2 Lift both lids off. These will become the kayak's floorboards.
- 3 Unclip the buckles on both sides, open the box, take out the components and put them aside for installation.

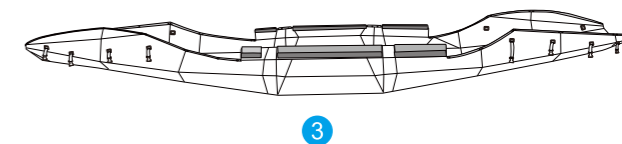


02/ UNFOLD THE HULL

- 1 Grab the marked point with both hands as shown and pull it away smoothly.
- 2 Pull the two flaps indicated in the diagram out to extend the box into a long sheet.



- 3 Pop the hull flat with your hands as you extend it, pushing down the inverted folds, creating a bowl shape.

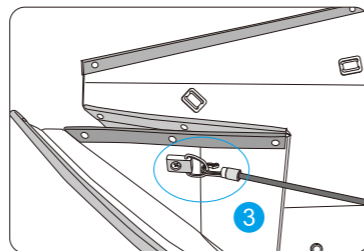
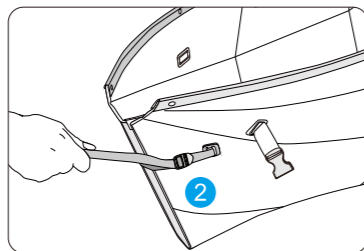
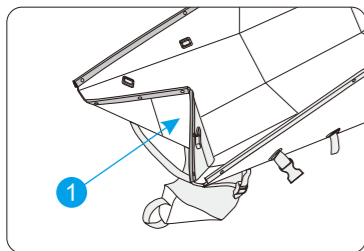
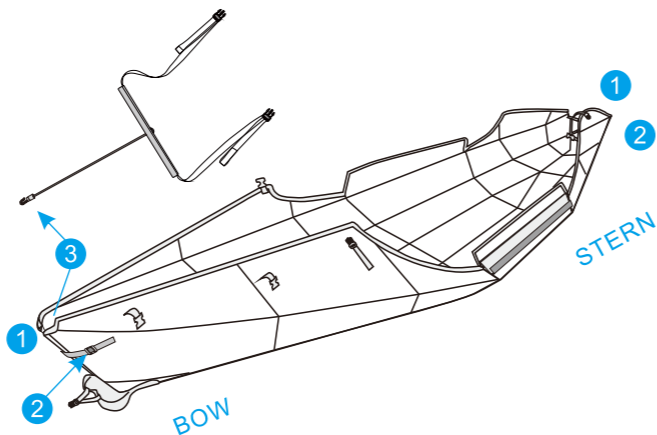


03/

FOLD THE ENDS OF THE KAYAK

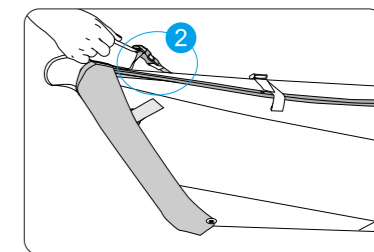
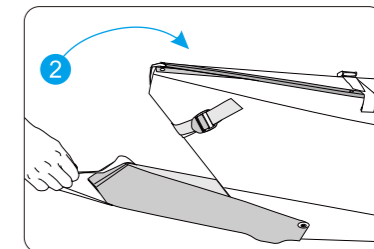
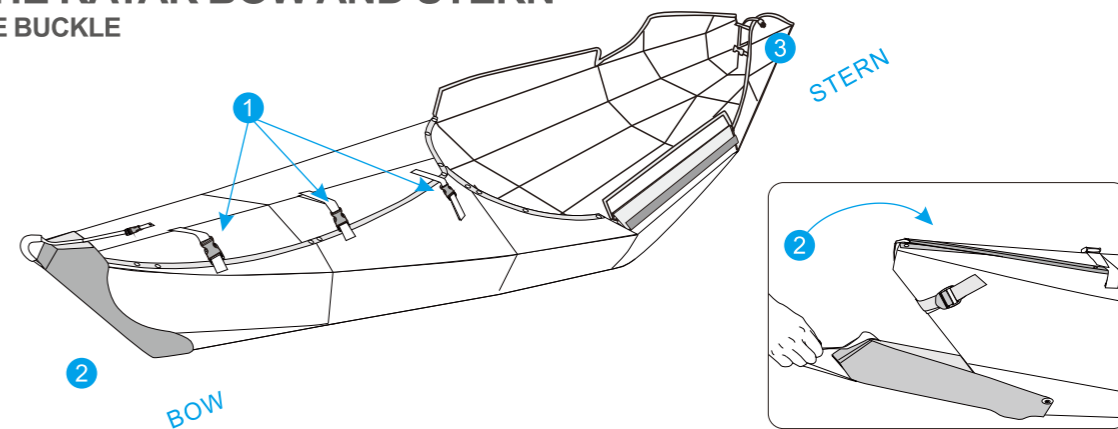
Install the front footrest

- 1 Fold the bow and stern inwards as shown.
- 2 Tighten the bow and stern, the very end straps.
- 3 Attach the front pedal (the one with the longer bungee cord) to the D-ring buckle on the bow.



04/

CLOSE THE KAYAK BOW AND STERN AND LOCK THE BUCKLE



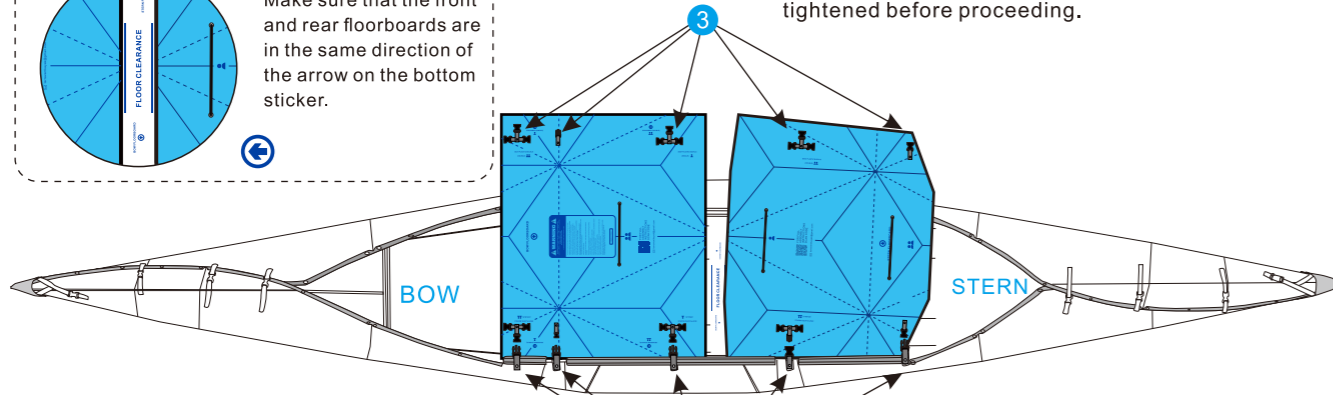
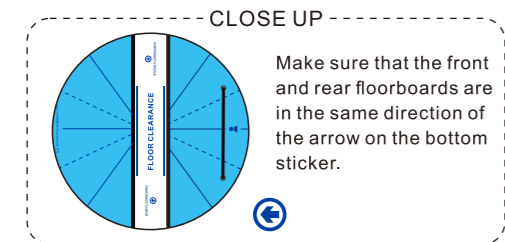
- 1 Place the flap with curved edge over flap with straight edge, as shown. Engage the cockpit side release buckle.
- 2 Stretch front fairing over the bow, and clip the small buckle onto last deck strap and tighten.
- 3 Repeat the steps to close the stern as well.

05 / INSTALL THE SEAT PLATE

Pay attention to the direction of the front and rear seats

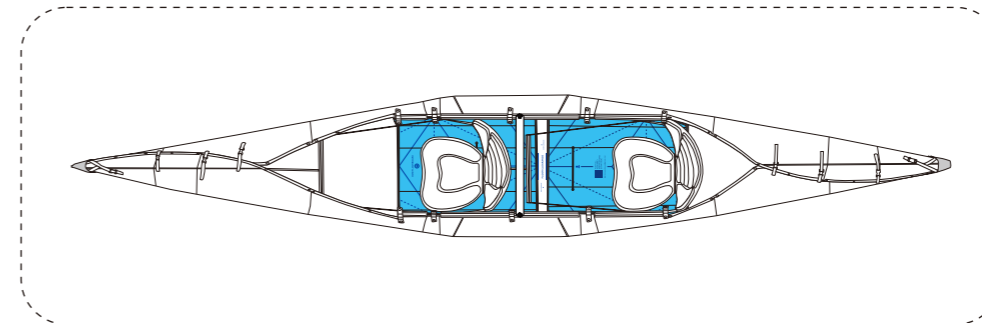
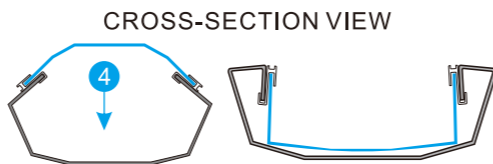
1 Orient the floorboards corresponding to the hull as shown.

2 Align the corresponding snaps on the hull and insert into the grooves. Insert one side of the front and rear floorboards as shown and attach the five corresponding clips. Make sure the straps are tightened before proceeding.

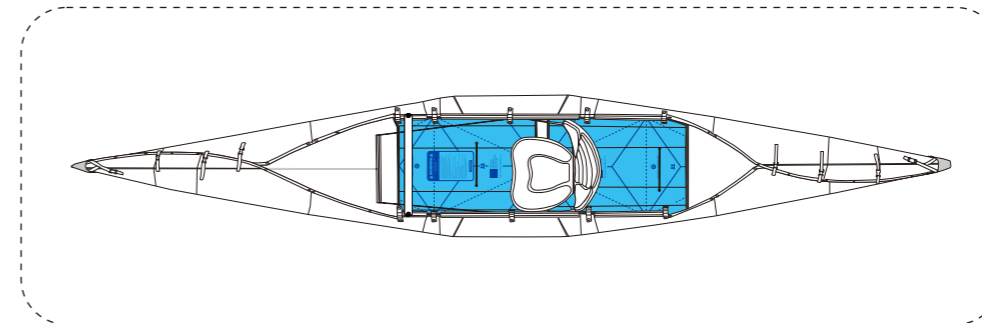


3 Repeat this step on the other side, attaching the remaining five buckles on the boat to the floorboards. Make sure the straps are tightened before proceeding.

4 The seat plate will now bend upwards. Simultaneously press down on the center of both floorboards as shown in cross-sectional view.



For tandem assembly reference pages 10-11

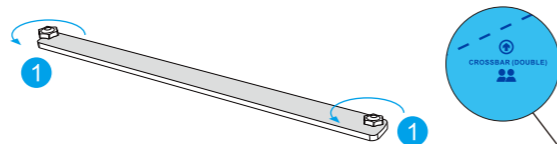


For single paddler assembly reference pages 12

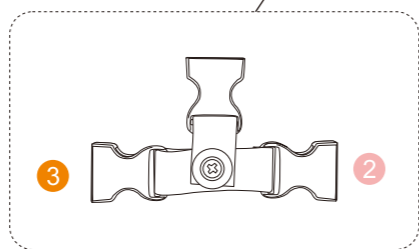
06 / INSTALL SEAT AND FOOTPEGS/CROSSBARS

TANDEM

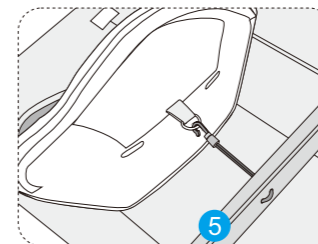
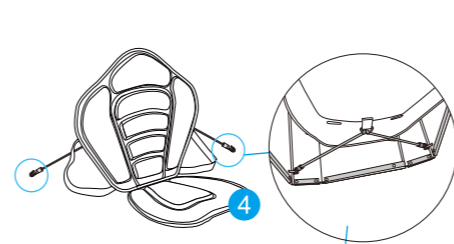
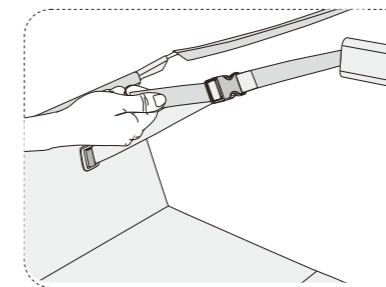
1 Loosen the knob on the crossbar. Put the crossbar on the track and move to the **CROSSBAR (DOUBLE)** marking on the floorboard and tighten it.



2 Insert the front seat (without elastic cord) under the bungee cord of the front floorboard (marked with a two-person figure), and then connect the seat buckle to the corresponding female buckle as shown.



3 Using the buckle on the bow (front) footrest, connect to the female buckle at the mark.



4 Insert the rear seat (with elastic cords) to the elastic cord on the rear floorboard (marked with a two-person figure), attach the elastic cords on the rear seat to both sides, and connect male buckle on the seat to the female buckle on the seat to both sides as shown.

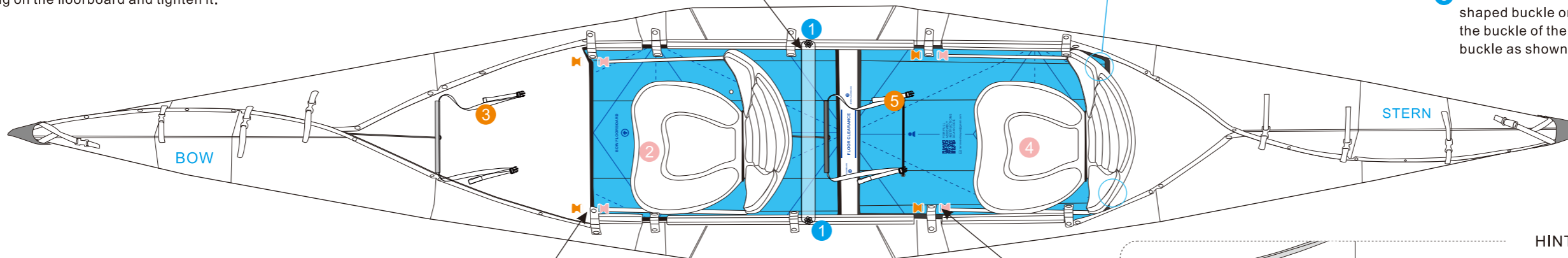
5 Fasten the hook of the rear footrest to the D-shaped buckle on the back of the front seat. Use the buckle of the pedal to connect the female buckle as shown.

HINT

Adjust the footrest and backrest according to your height by tightening and loosening the length of the straps.

The footrest should allow your legs to bend comfortably, "with your knees flared out.

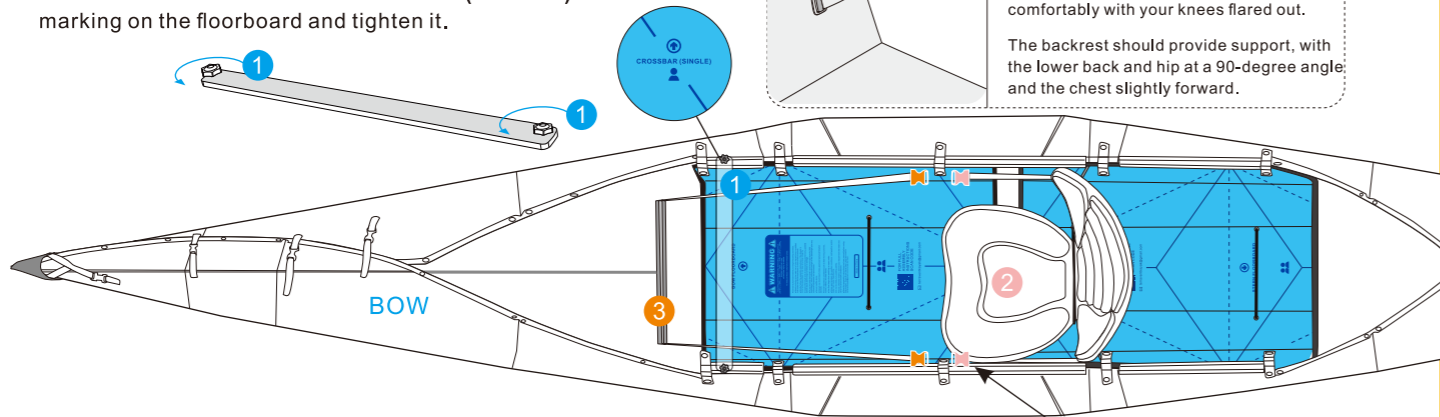
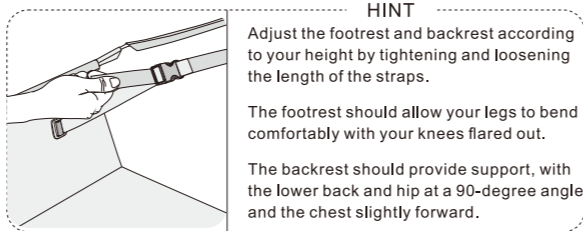
The backrest should provide support, with the lower back and hips at a 90-degree angle and the chest slightly forward.



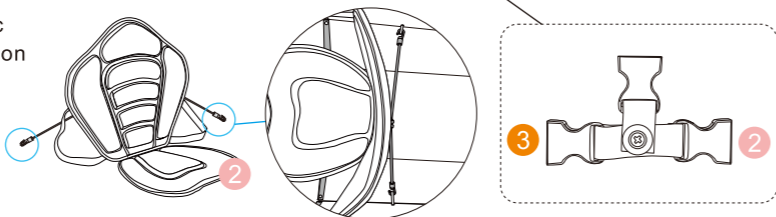
06 / INSTALL SEAT AND FOOTPEGS/CROSSBARS

SINGLE

- 1 Loosen the knob on the crossbar. Put the crossbar on the track and move to the **CROSSBAR (SINGLE)** marking on the floorboard and tighten it.



- 2 Insert the rear seat (with elastic cords) to the elastic cord on the rear floorboard (marked with a one-person figure), then connect male buckle on the seat to the female buckle on both sides as shown.
- 3 Connect the pedal buckle on the bow to the female buckle connector shown in the illustration.

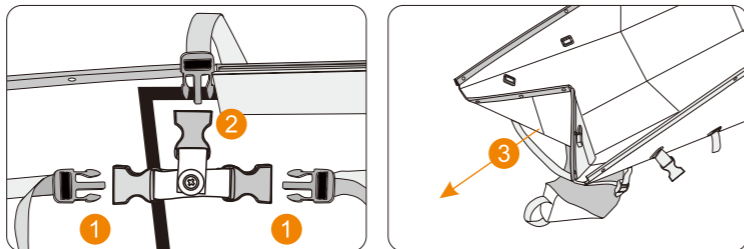


KAYAK FOLDING GUIDE
MODEL:K3

01 / REMOVE THE COMPONENTS

Disassembly is basically the reversal of assembly; but there are a few tricks to it. Follow these simple instructions to learn how to quickly and easily put your Kayak back in the box.

- 1 Unbuckle all seats and footrests and remove all seats and footrests. Loosen the knob and remove the crossbar from the track. You may need to tap the bar lightly to remove it.
- 2 Unbuckle and loosen all remaining side-release buckles.
- 3 Pull off both fairings and fully loosen both end straps.

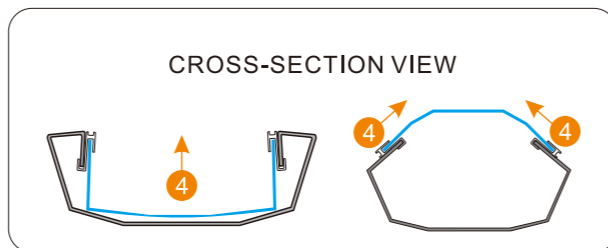


- 4 Lift the two seat retainer plates as shown to remove. If it gets stuck in the track, wiggle it slightly.

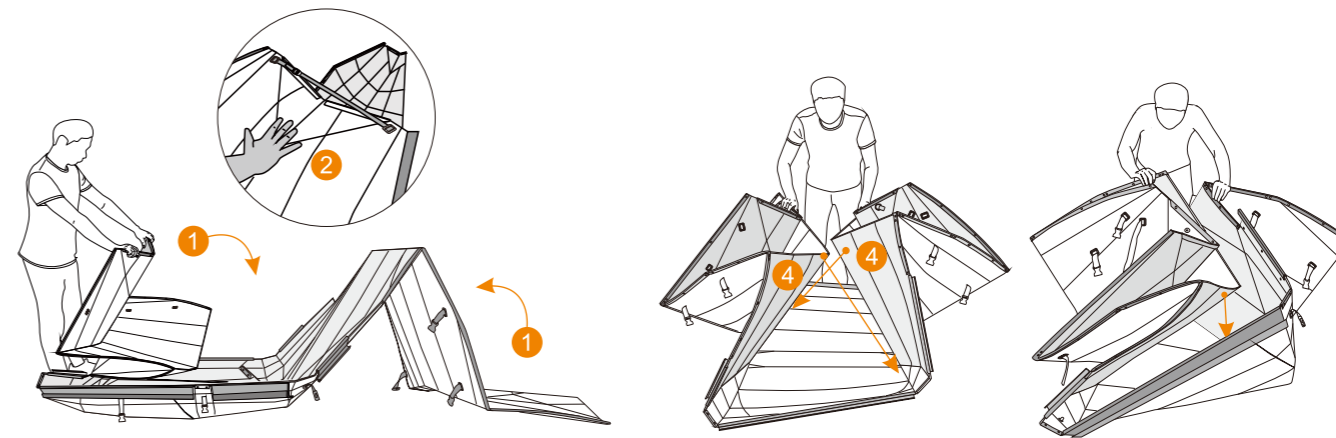
HINT:

The straps at the ends of the bow and stern remain connected, but set the straps to the longest possible length.

Some water may collect inside the plastic corrugated flutes. To let it drain, stand the assembled kayak vertically for about 10 minutes.



02 / FOLD KAYAK INTO A BOX

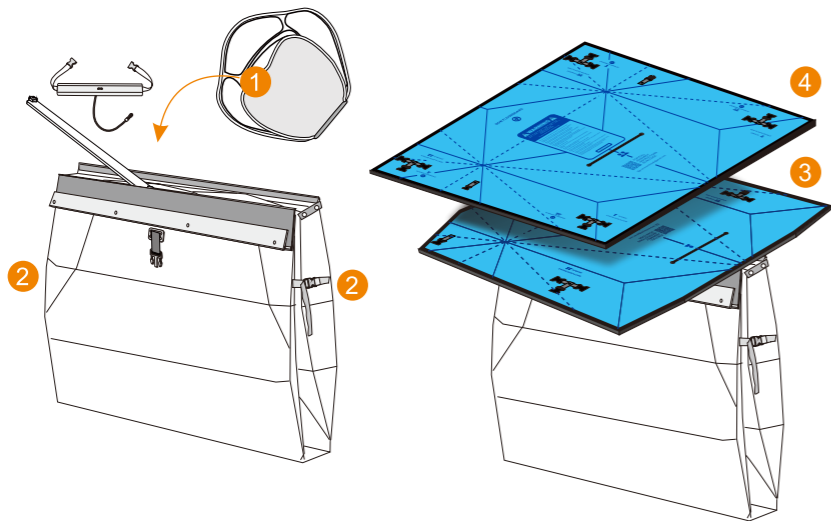


- 1 Fold the bow like an accordion. Using your knees helps.
- 2 Make sure the inverted fold is flat when folding your boat up. The end strap will be completely loose as shown
- 3 Repeat with other end.

- 4 Grab the marked points with both hands as shown and push them into each other until a box is formed. Work slowly and smoothly to avoid jamming the edges (Please refer to the assembly video).

03 / CLOSE THE BOX

Pack accessories into the box



1 Put accessories such as footrests, seats and crossbar into the folding kayak.

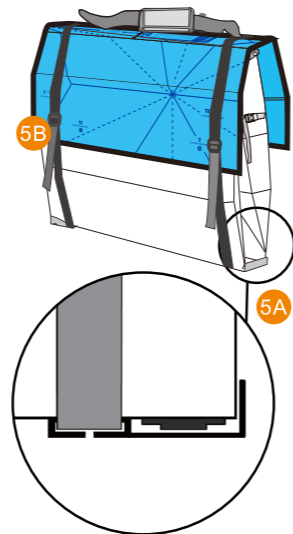
2 Fully tighten the straps on both sides of the box.

3 Place the stern (rear) floorboard on top with the printed side facing up.

4 Place the bow (front) floorboard above the stern floorboard as shown.

5 A Place the shoulder strap plate under kayak box.

B Wrap the shoulder straps around the box and lock as shown.



MAKE SURE THE PLATE IS IN THE CORRECT ORIENTATION BEFORE TIGHTENING THE STRAPS

SAFETY GUIDE



- As kayaking is an active sport, it may lead to dangerous situations if you do not follow the safety rules.
- Please acquaint yourself with detailed safety instructions and devices to begin your kayaking.
- If safety rules are not followed, all responsibility for accidents lies with the kayak operator.

BEFORE YOU GO KAYAKING

- ⊖ 1. Kayaking is a sport, enjoyed on calm lakes or softly flowing inland waterways. Please do not go kayaking in water with waves such as the sea or in valleys.
- ⚠ 2. You must not go kayaking if you are not feeling well or after drinking.
- ⚠ 3. Please go kayaking after adequate practice and stretching.
- ⚠ 4. You must pay careful attention to the weather before you go kayaking.
- ⊖ 5. If you notice a sudden change in the weather, please get out of the water immediately.

BEAUFORT WIND SCALE

- You may go kayaking in conditions up to the third level (gentle breeze) of the Beaufort Wind Scale.
- You must not go kayaking on windy conditions starting from the fourth level (moderate breeze).
- The Beaufort wind scale is not an absolute criteria to judge the wind conditions.
- You are advised to use the scale when you go kayaking because it can help you judge the wind speed when used along with observations made with the naked eye.

Wind level table

Wind level and symbol	name	Wind speed (m / s)	Terrestrial image	Sea waves	Wave height (m)
0	No wind	0,0-0,2	Smoke straight	calm	0,0
1	light air	0,3-1,5	Smoke wind direction	Microwave no droplets	0,1
2	Breeze	1,6-3,3	Feel the wind	The small crest is not broken	0,2
3	breeze	3,4-5,4	Banner starts	Wavelet crest rupture	0,6
4	Wind and wind	5,5-7,9	Blow up dust	Xiaolang white foam peak	1,0
5	Windy	8,0-10,7	The tree swings	In the wave crest peak group	2,0
6	Gale	10,8-13,8	The wires are sound	Big waves to a droplet	3,0
7	blast	13,9-17,1	Difficult to walk	Break the peak of the foam into the article	4,0
8	Gale	17,2-20,7	Destroy the branches	Long waves have waves	5,5
9	Gale	20,8-24,4	Small damage to housing	Wave crest	7,0
10	The wind	24,5-28,4	Pull up the trees	The waves roll roar	9,0
11	storm	28,5-32,6	Damage is widespread	The crest is full of droplets	11,5
12	typhoon	32,7-	Destroy the huge	The waves are monstrous	14,0

Note: The wind speed shown in this table refers to the wind speed at 10 meters above ground level by the wind vector, said the wind from the wind and the wind feathers composition. Wind to the stalk: refers to the wind industry, there are eight directions. Wind Feather: Winds from 3, 4, and dashes indicate winds, vertical to the right end of the wind direction (northern hemisphere).