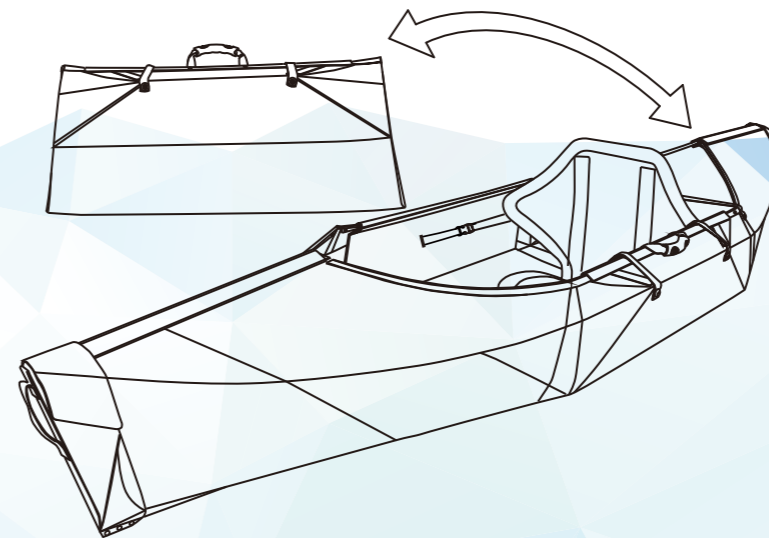


ENJOY
YOUR
PORTABLE
FOLDING KAYAK



ASSEMBLY
INSTRUCTIONS



**FOLDABLE
KAYAK**

FROM BOX TO BOAT IN MINS

Portable

and Practical



Expand size:
295x79cm

Simple
assembly

24 pounds

Hike it.

Fly it.

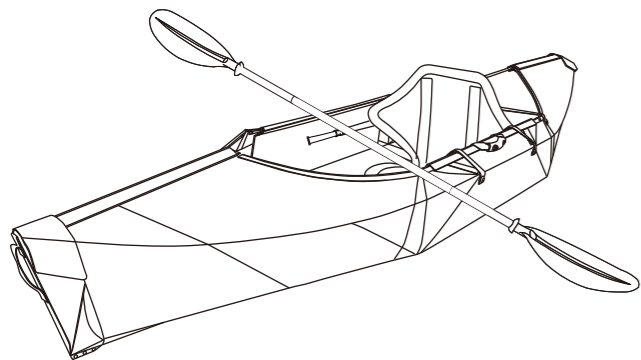
Store it.

Installation Manual

MODEL:K2

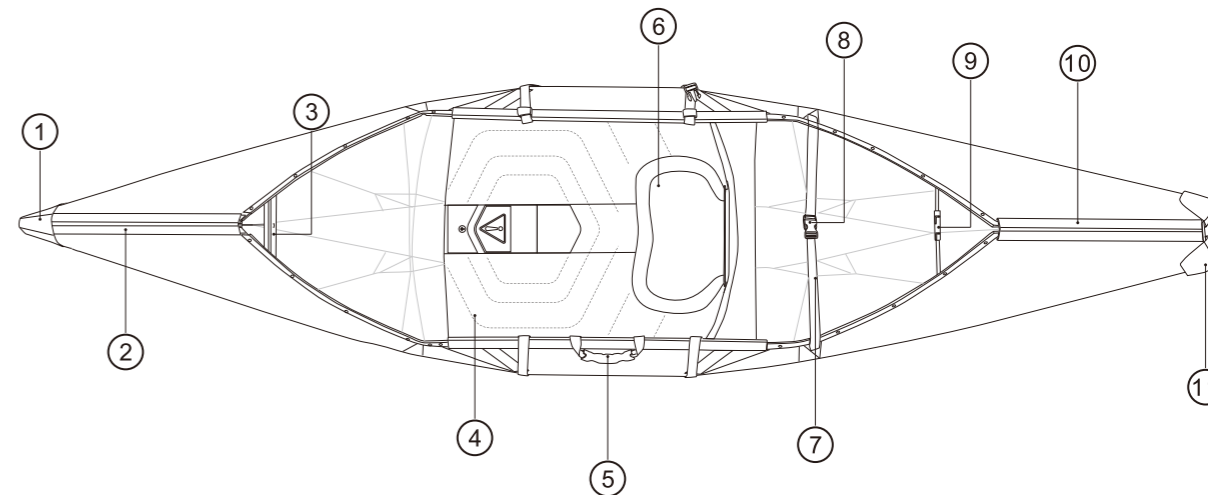
PORTABLE FOLDING KAYAK

We use special formulation of polypropylene materials (low density grid plate) to make our kayak have the strength and streamlined design of hard boats, and better water resistance performance than inflatable kayak . Our kayak has excellent controllability, and can be directly placed in trunk of any car after folding.



Fold size (hull)	42x10x18 Inch(107 x 25 x 46 cm)
Package size (outer case)	44x12x20 Inch(110 x 30 x 50 cm)
Expansion size	116x31x13.8 Inch(295 x 79 x 35 cm)
Cockpit Size	71x23 Inch(181 x 58 cm)
Net weight	23.5lbs(10.7kg)
Gross weight of standard package	29.3lbs(13.3kg)
Maximum load	270lbs(125kg)
Maximum Anti-wind Wave Rating	Sea breeze 3
Folding durability	2000 times
Antioxidant life	3 year anti-aging
Wear resistance grade	primary (Customers are strictly prohibited to drag on the concrete floor)
Impact resistance level	Advanced, while handling, collision to the reef and other obstacles would slightly affect the hull. The kayak can be effective against impact.
Corrosion resistance	The material of hull is completely strong acid, alkali and salt resistance. The acid, alkali and salt resistance of accessories are 3 years.
Bag tensile strength	110 Pounds
Sailing speed	According to individual physical strength, effective speed can reach 7-12km/h (4.3-7.5 MPH)
Assembly time	Single person can assemble the kayak in 5 mins
Storage and folding	Single person in 3-4 mins

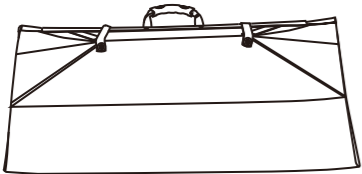
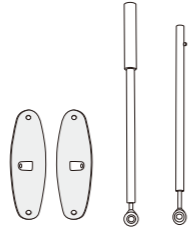
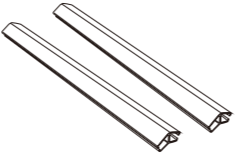
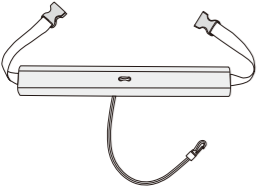
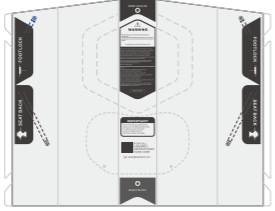
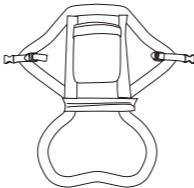
PART NAME



No.	component name	No.	component name	No.	component name
1	Bow waterproof cover	2	Plastic deck strip 1	3	Adjustable footrest
4	Seat fixing plate	5	Handle	6	Kayak seat
7	Tension strap	8	Lock catch	9	Support rod
10	Plastic deck strip 2	11	Stern waterproof cover		

PORTABLE FOLDING KAYAK

ACCESSORIES DETAIL OF PRODUCT PACKAGING

		
KAYAK HULL PART(1pcs)	SUPPORT ROD(1pcs)	PLASTIC DECK STRIPS(2pcs)
		
ADJUSTABLE FOOTREST(1pcs)	SEAT fixing PLATE (1pcs)	KAYAK SEAT(1pcs)



YOUTUBE
ASSEMBLY
INSTRUCTIONS

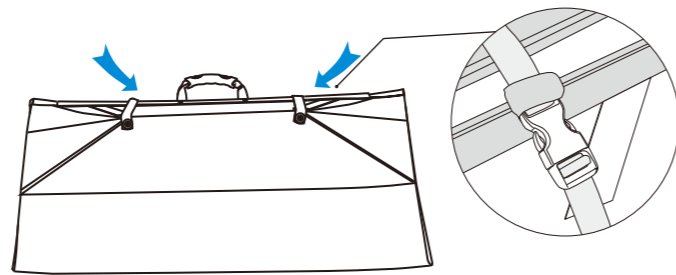


KAYAK ASSEMBLY GUIDE
MODEL:K2

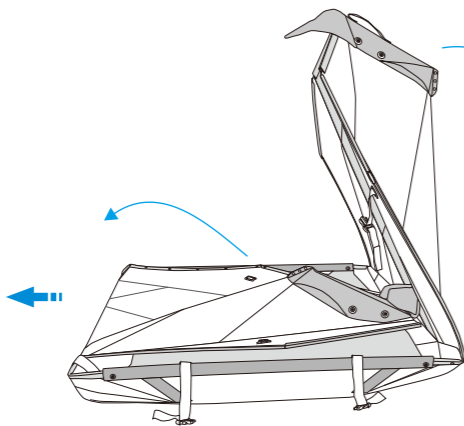
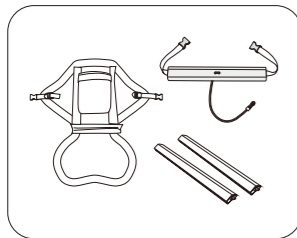
KAYAK ASSEMBLY GUIDE

STEP1 Unlock the two locks on the hull(Pic 1).

STEP2 open the hull and take out the accessories(Pic 2).



Pic 1



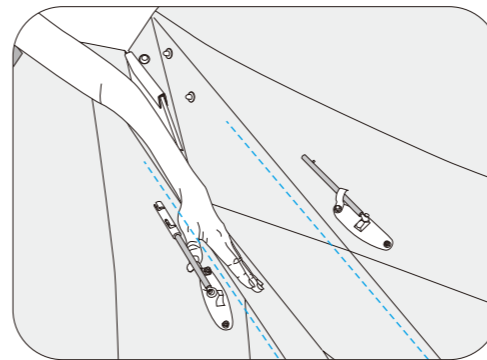
Pic 2

NOTICE:

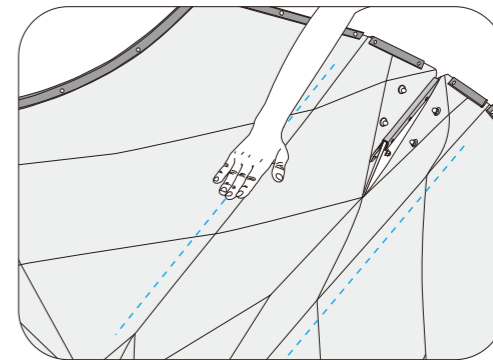
Please find a platform as soft as possible on the ground to reduce the wear on the hull,remove the hull from the package and assemble the kayak.

THE ASSEMBLY PROCESS OF FOLDING KAYAK

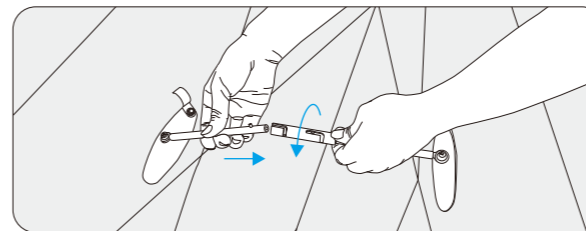
STEP3 Push along the fold lines as shown to pop out the inverted folds and form the shape of the kayak(Pic 3,Pic 4).



Pic 3



Pic 4



Pic 5

STEP4

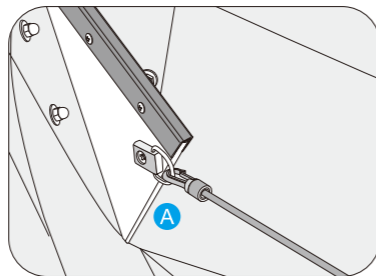
Install the support rod as shown in (Pic 5).

KAYAK ASSEMBLY GUIDE

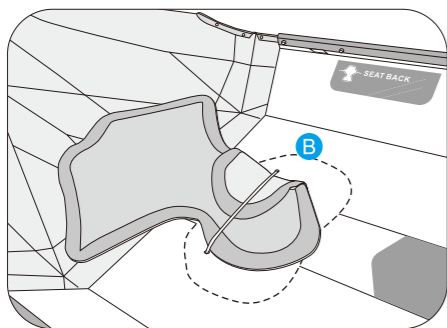
STEP5 Make sure the hull folds are pushed out completely (Pic 6).

STEP6 Fix the pedal to the bow hole point A (Pic 7).

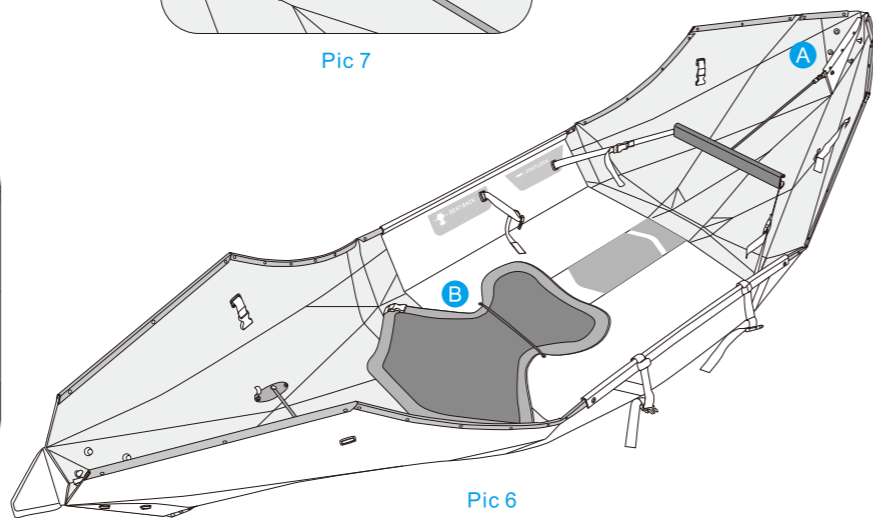
STEP7 Fix the seat to point B seat fixing plate (Pic 8).



Pic 7



Pic 8



Pic 6

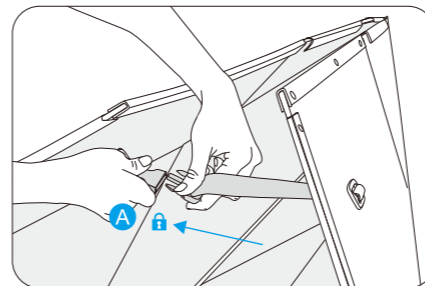
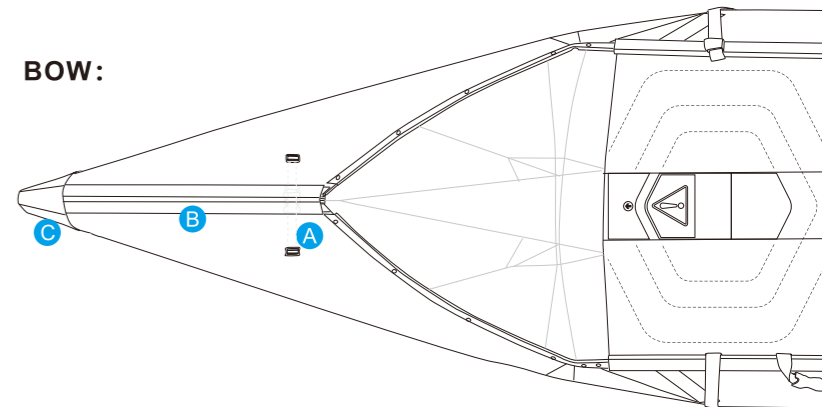
THE ASSEMBLY PROCESS OF FOLDING KAYAK

STEP8 Fasten the plastic lock on the bow and tighten it as shown in (Pic 9).

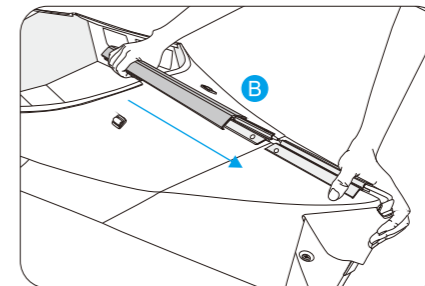
STEP9 Close the bow and insert the installation deck strip from the cockpit direction (Pic 10).

STEP10 Tighten and fasten the Velcro on the bow as shown in the pic (Pic 11).

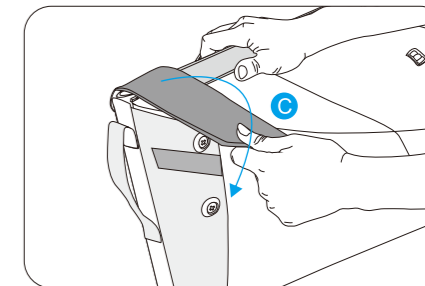
BOW:



Pic 9



Pic 10



Pic 11

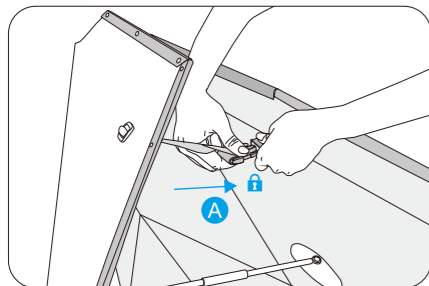
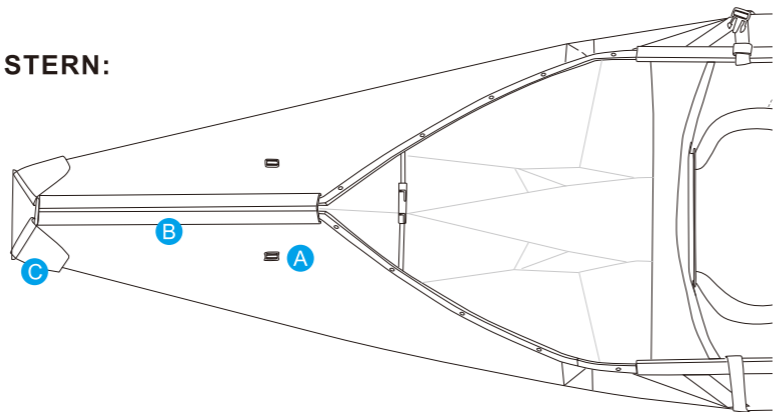
KAYAK ASSEMBLY GUIDE

STEP11 fasten the Plastic lock on the bow and tighten it as show in (Pic 12).

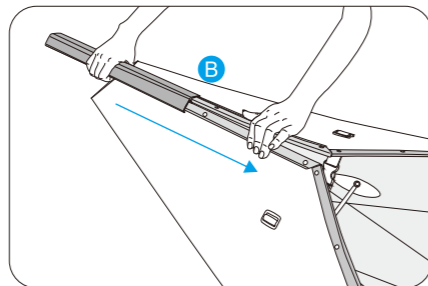
STEP12 Close the stern deck and install the deck strips from the stern direction as shown in the pic(Pic 13).

STEP13 Tighten the two buckles as shown in the figure and stick them on the deck(Pic 14).

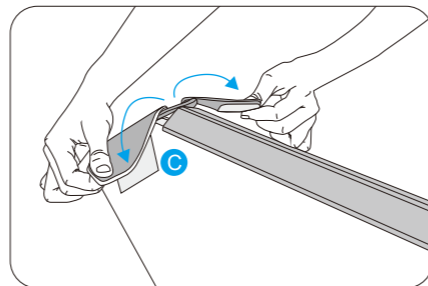
STERN:



Pic 12



Pic 13

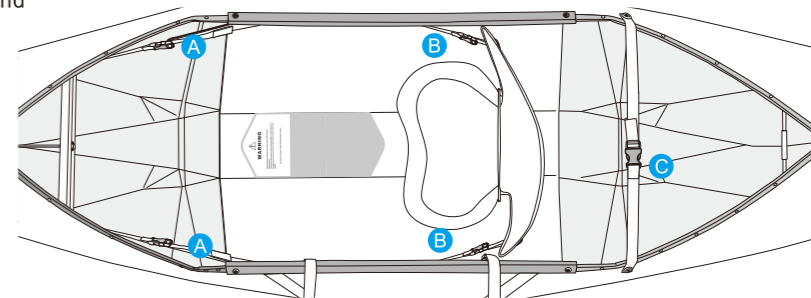


Pic 14

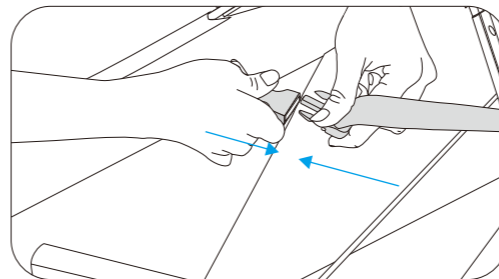
THE ASSEMBLY PROCESS OF FOLDING KAYAK

STEP14 lock the buckles at the three places A, B, and C as shown in the figure, and adjust the tightness(Pic 15).

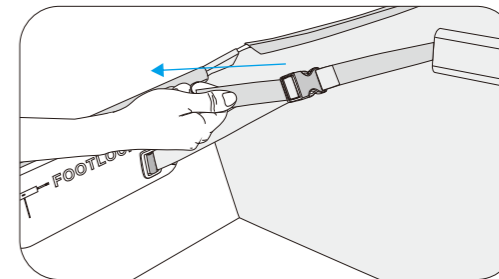
STEP15 As shown in the pic, the buckle is locked, and the length of the Strap can be adjusted as needed to achieve the purpose of adjusting the seat and pedals(Pic 16) (Pic 17).



Pic 15



Pic 16

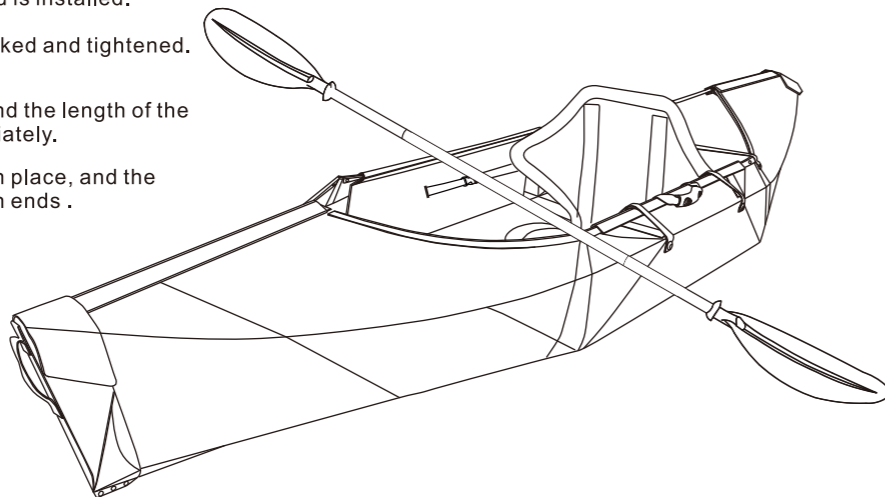


Pic 17

KAYAK ASSEMBLY GUIDE

CHECK THE FOLLOWING ITEMS AGAIN:

- 1 Whether the folding hull is fully unfolded and whether the stern support rod is installed.
- 2 All footrest and seat are hooked and tightened.
- 3 All the buckles are locked, and the length of the webbing is adjusted appropriately.
- 4 All deck strips are installed in place, and the waterproof cover covers both ends.



Congratulations!
Your kayak has been installed.



FOLDING
INSTRUCTION
VIDEO



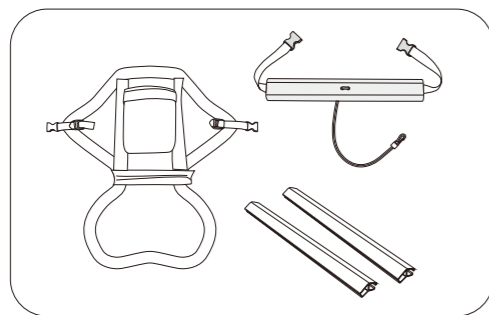
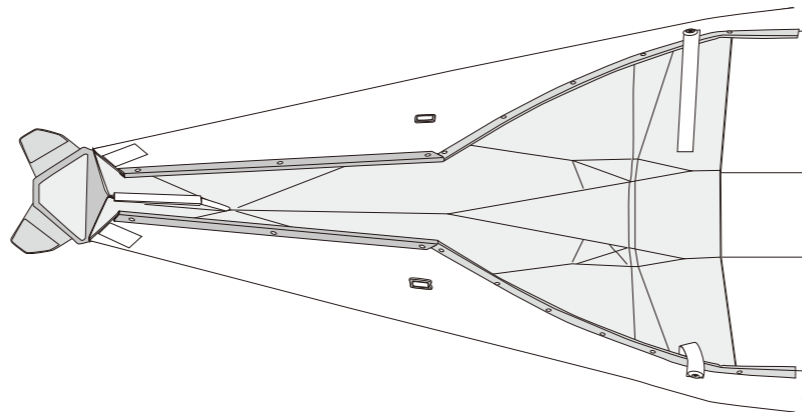
KAYAK FOLDING GUIDE
MODEL:K2

KAYAK FOLDING GUIDE

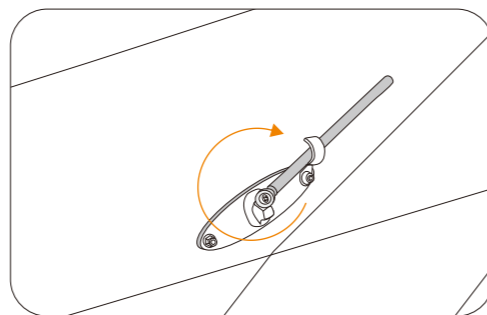
UNCLIP BUCKLES/REMOVE PARTS

STEP1 Unlock all the buckles, remove the seat, pedals and deck bars and put them aside until step 7 (Pic 1).

STEP2 Shift the support rod and fix it on the buckle (Pic 2).



Pic 1

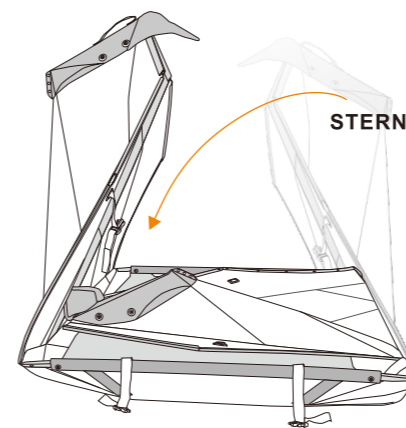


Pic 2

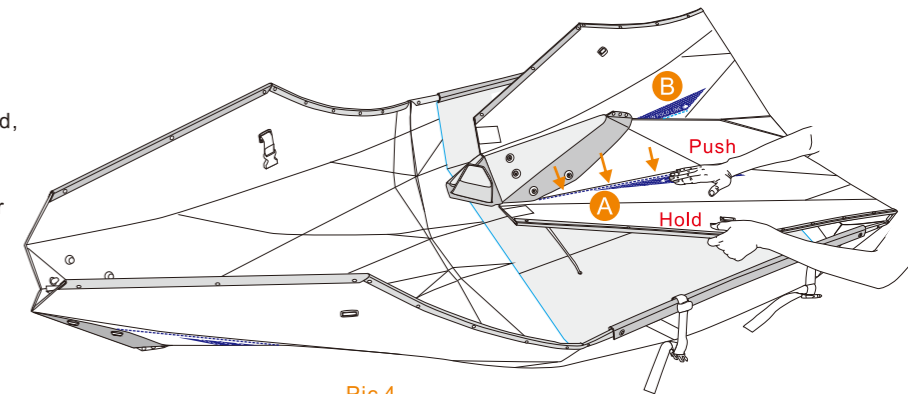
FOLDING KAYAK STERN

STEP3 Fold the stern towards the seat fixing plate (Pic 3).

STEP4 Hold the edge of the kayak with one hand, push down along the fold line printed at A with the other hand to eject the fold, and repeat the operation along the other side to push the fold line at B. (Pic 4).



Pic 3



Pic 4

NOTICE:

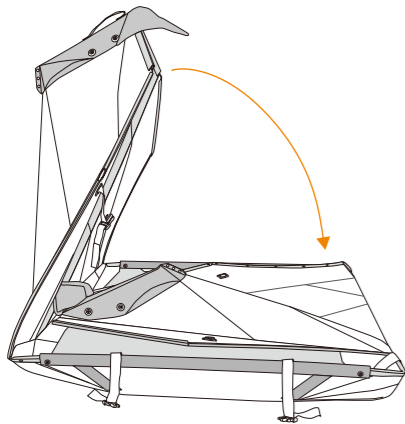
Folding starts from the stern first, and the front and rear directions are printed on the seat fixing plate.

KAYAK FOLDING GUIDE

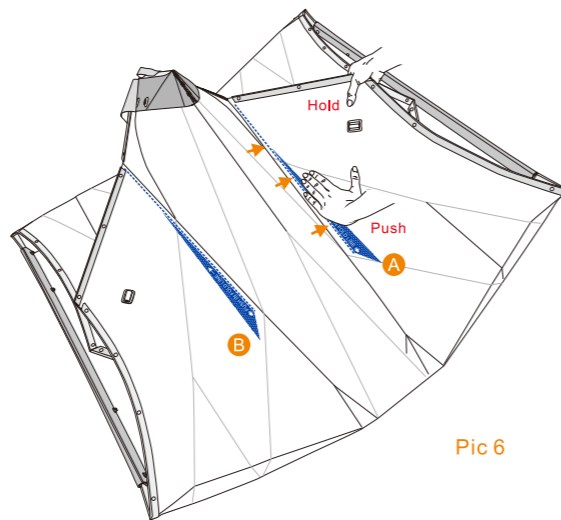
FOLDING KAYAK BOW

STEP5 Fold the bow of the kayak towards the seat fixing plate (Pic 5).

STEP6 Hold the edge of the kayak with one hand, push down along the fold line printed at A with the other hand to eject the fold, and repeat the operation along the other side to push the fold line at B (Pic 6).



Pic 5



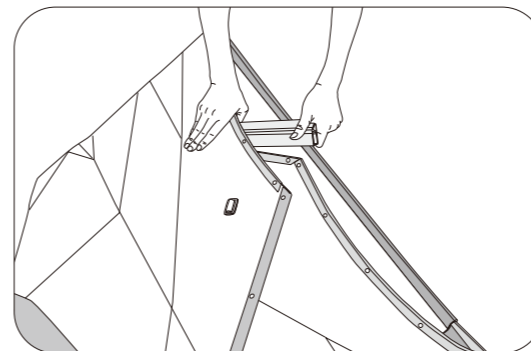
Pic 6

NOTICE:

Go slow the first couple of times you box up your boat. This will allow your kayak to develop proper fold memory.

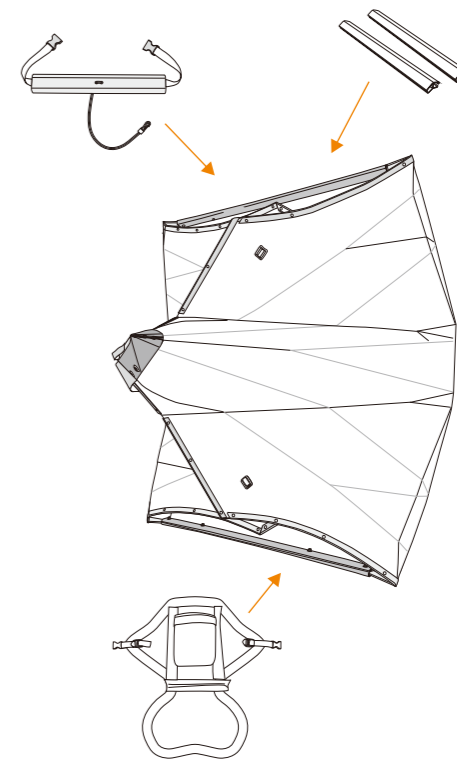
STORAGE ACCESSORIES

STEP7 Put the three parts into the corresponding position of the kayak as shown in the figure (Pic 7).



Pic 7

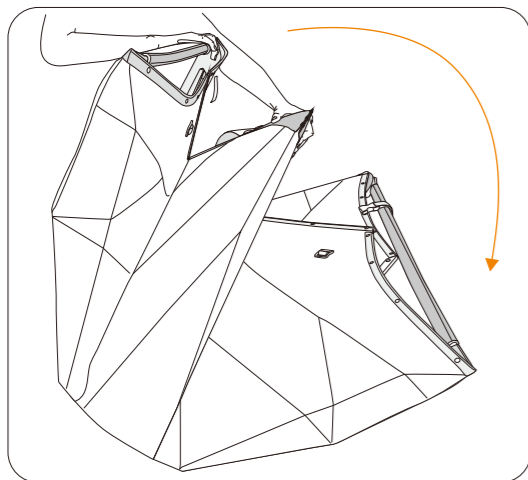
NOTICE: note that the parts do not overlap when putting them in



KAYAK FOLDING GUIDE

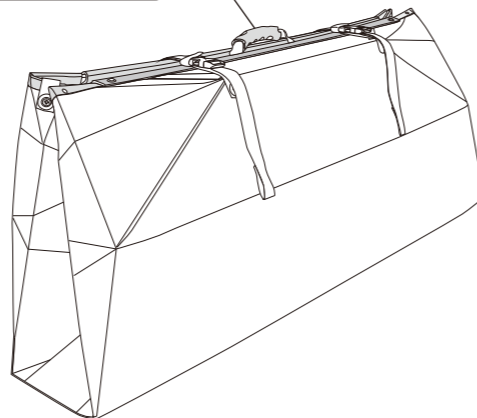
CLOSE THE BOX

STEP 8 Close the two halves of the kayak, lock the buckle, and fully tighten the box closure strap. (Pic 8 Pic 9).



Pic 8

Note: Make sure the center carrying handle is accessible before tightening the box.



Pic 9

SAFETY GUIDE



1. AS kayaking is an active sport. it may lead to dangerous situations if do not follow the safety rules.
2. Please acquaint yourself with detailed safety instructions and devices beginning your kayaking experience.
3. When safety rules are not followed, all responsibility for accidents lies with the kayak operator.

BEFORE YOU GO KAYAKING

1. Kayaking is a sport, enjoyed on calm lakes or softly flowing inland waterways. Please do not go kayaking in water with waves such as the sea or in valleys.
2. You must not go kayaking if you are not feeling well or after drinking.
3. Please go kayaking after adequate practice and stretching.
4. You must pay careful attention to the weather before you go kayaking.
5. If you notice a sudden change in the weather, please get out of the water immediately.

BEAUFORT WIND SCALE

1. You may go kayaking in conditions up to the third level (gentle breeze) of the Beaufort Wind Scale.
 2. You must not go kayaking windy conditions starting from the fourth level (moderate breeze)
 3. The Beaufort wind scale is not an absolute criteria for judging wind conditions.
- However, you are advised to use the scale when you go kayaking because it can help you judge wind speed when used along with observations made with the naked eye.

Wind level table

Wind level and symbol	name	Wind speed (m / s)	Terrestrial image	Sea waves	Wave height (m)
0	No wind	0,0-0,2	Smoke straight	calm	0,0
1	light air	0,3-1,5	Smoke wind direction	Microwave no droplets	0,1
2	Breeze	1,6-3,3	Feel the wind	The small crest is not broken	0,2
3	breeze	3,4-5,4	Banner starts	Wavelet crest rupture	0,6
4	Wind and wind	5,5-7,9	Blow up dust	Xiaolang white foam peak	1,0
5	Windy	8,0-10,7	The tree swings	In the wave crest peak group	2,0
6	Gale	10,8-13,8	The wires are sound	Big waves to a droplet	3,0
7	blast	13,9-17,1	Difficult to walk	Break the peak of the foam into the article	4,0
8	Gale	17,2-20,7	Destroy the branches	Long waves have waves	5,5
9	Gale	20,8-24,4	Small damage to housing	Wave crest	7,0
10	The wind	24,5-28,4	Pull up the trees	The waves roll roar	9,0
11	storm	28,5-32,6	Damage is widespread	The crest is full of droplets	11,5
12	typhoon	32,7-	Destroy the huge	The waves are monstrous	14,0

Note: The wind speed shown in this table refers to the wind speed at 10 meters above ground level. By the wind vector, said the wind from the wind and the wind feathers composition. Wind to the stalk: refers to the wind industry, there are eight directions. Wind Feather: Windshed from 3, 4, and dashes indicate winds, vertical to the right end of the wind direction (northern hemisphere).