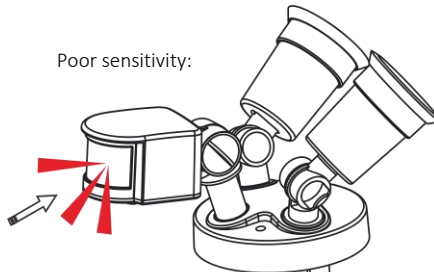
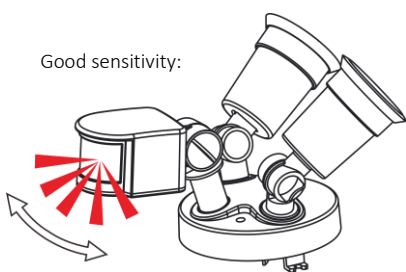


AMBIUS SECURITY LIGHT RANGE

SPECIFICATION SHEET

Product Code: ASECPAR38W

Pronto Code: Q5080700

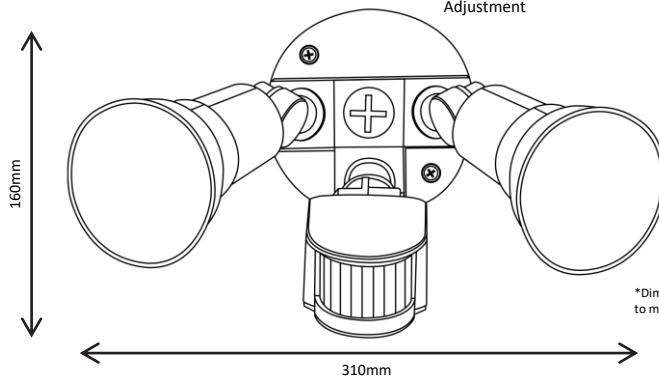


TECHNICAL SPECIFICATIONS

- Power: 20W (2 x 10W) Max. 220-240V 50/60Hz
- IP44
- 1600 Lumens
- 180° Detection angle, 2-12m detection distance.
- Manual override for use as normal light
- Time adjustment: 10sec-12min
- Colour temperature: 4000K
- 1-Year warranty

INSTALLATION:

- Remove base plate from the light
- Choose sensor settings
- Fix base to the wall with screws provided
- Align the light to the base and reattach – ensure the light is pushed into the base securely.



*Dimensions shown are subject to manufacturing tolerance.



2 x 10W Max. Must be installed by a qualified electrician.

2 x 10 Watts



Rated IP44, allowing for installation in a covered outdoor area.

Covered Outdoor



Detection angle of 180 degrees from point of sensor application.

Detection Angle



Luminaire output of 1600.

1600 Lumens



Manual override switch for use as normal light

Manual Override



Ambient light: 10-2000LUX which is adjustable. Use Sun and LUX dials to choose sensor options.

Lux Adjustment



Detection Range of 2-12m.

Detection Range



Time adjustment: Min: 10sec±3sec Max: 12min±2min

Time On Adjustment

Distributed by:

CDB

GROUP

PO Box 100-707
North Shore Mail Centre
Auckland

Manufactured to Ambius Lighting's specifications in the PRC.