

AMBIUS SECURITY LIGHT RANGE

SPECIFICATION SHEET

Product Code: ASEC30WPIRB

Pronto Code: Q5080660

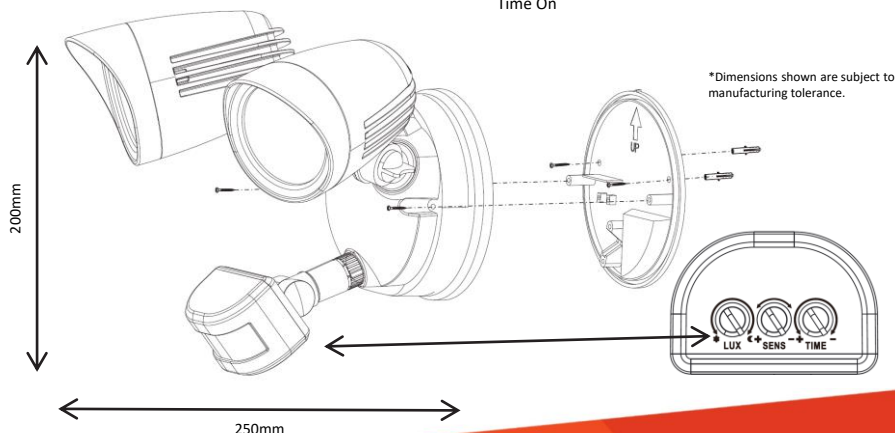
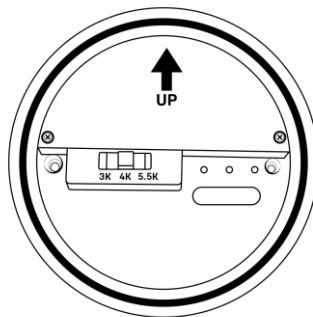


TECHNICAL SPECIFICATIONS

- Power: 30W Max. 220-240V 50/60Hz
- IP54
- 2400 Lumens
- 180° Detection angle, 12m detection distance.
- 90° Beam Angle
- Time adjustment: 10sec 12min
- Manual override switch for use as normal light
- 3 Colour temperature options 3K/4K/5.5K
- Frosted glass provides glare reduction.
- 1-Year warranty

INSTALLATION:

- Vertical Installation: arrow on base plate points upwards.
- Horizontal Installation: arrow will point opposite way to lights.
- Fix the base plate to the wall using the screw holes.
- Choose your desired colour temperature by moving switch to either 3K/4K/5.5K.
- Plug the light onto the base by lining up arrow and 3-Pins with terminal.
- Easy to adjust sensor settings with accessible dials.



2 x 15 Watts

2 x 15W Max. Must be installed by a qualified electrician.



Covered Outdoor

Rated IP54, allowing for installation in a covered outdoor area.



Detection Angle

Detection angle of 180 degrees from point of sensor application.



Colour Temp Switch

3 Colour temperature options by way of internal switch



2400 Lumens

Luminaire output of 2400.



90° Beam Angle

Beam angle of 90 degrees, subject to installation position



Lux Adjustment

Ambient light: 10-2000LUX which is adjustable. Use Sun and LUX dials to choose sensor options.



Detection Range

Detection Range maximum of 12m.



Time On

Time adjustment:
Min: 10sec±3sec
Max: 12min±2min

Distributed by:

CDB

GROUP

PO Box 100-707
North Shore Mail Centre
Auckland

Manufactured to Ambius Lighting's specifications in the PRC.