

AMBIUS SENSOR RANGE

SPECIFICATION SHEET

Product Code: ASEC20WB

Pronto Code: Q5080640



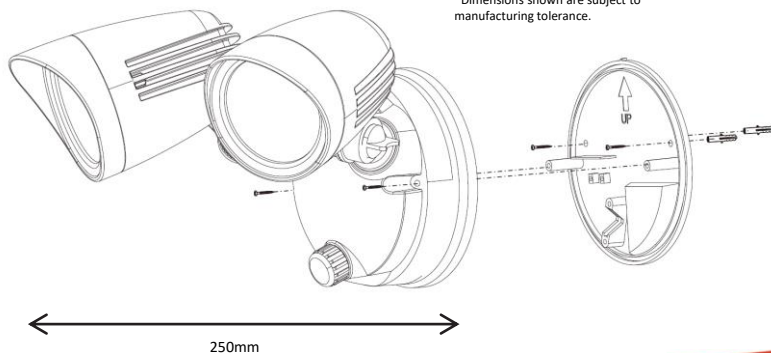
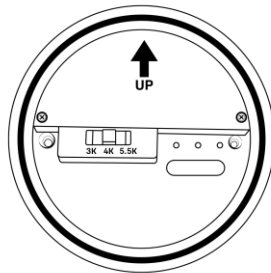
3 COLOUR SWITCHABLE

TECHNICAL SPECIFICATIONS

- 220-240V 50/60Hz
- IP54
- 800 Lumens
- 90° Beam Angle
- 3 Colour temperature options 3K/4K/5.5K
- Frosted glass provides glare reduction.
- 1-Year warranty

INSTALLATION:

- Vertical Installation: arrow on base plate points upwards.
- Horizontal Installation: arrow will point opposite way to lights.
- Fix the base plate to the wall using the screw holes.
- Choose your desired colour temperature by moving switch to either 3K/4K/5.5K.
- Plug the light onto the base by lining up arrow and 3-Pins with terminal.



*Dimensions shown are subject to manufacturing tolerance.



2 x 10 Watts

2 x 10W Max. Must be installed by a qualified electrician.



Covered Outdoor

Rated IP54, allowing for installation in a covered outdoor area.



Quick Connect

Prewiring is simple with our quick connect plug.



Colour Temp Switch

3 Colour temperature options by way of internal switch



1600 Lumens

Luminaire output of 1600.



90° Beam Angle

Has a beam angle of 90 degrees, subject to installation position

Distributed by:

CDB

GROUP

PO Box 100-707
North Shore Mail Centre
Auckland

Manufactured to Ambius Lighting's specifications in the PRC.