

AMBIUS SENSOR RANGE

SPECIFICATION SHEET

Product Code: ASEC20W

Pronto Code: Q5080630



2 x 10
Watts

2 x 10W Max. Must be installed by a qualified electrician.



IP54
Covered
Outdoor

Rated IP54, allowing for installation in a covered outdoor area.



Quick
Connect

Prewiring is simple with our quick connect plug.



Colour Temp
Switch

3 Colour temperature options by way of internal switch



1600
Lumens

Luminaire output of 1600.



90° Beam
Angle

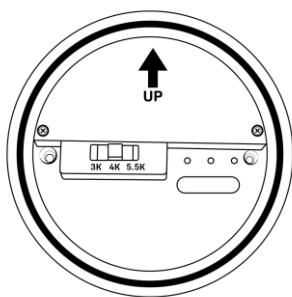
Has a beam angle of 90 degrees, subject to installation position

TECHNICAL SPECIFICATIONS

- 220-240V 50/60Hz
- IP54
- 1600 Lumens
- 90° Beam Angle
- 3 Colour temperature options 3K/4K/5.5K
- Frosted glass provides glare reduction.
- 1-Year warranty

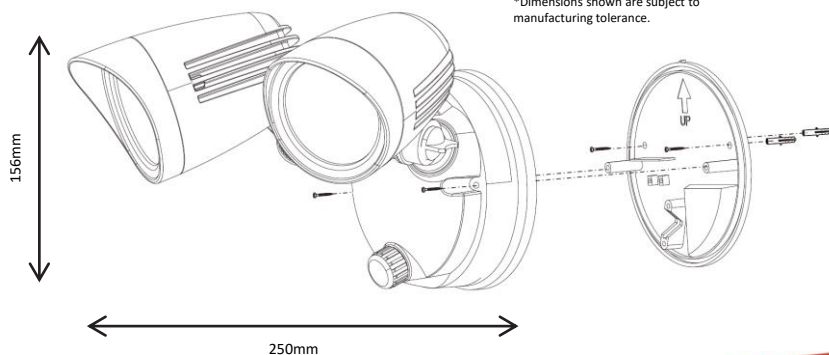


3 COLOUR SWITCHABLE



INSTALLATION:

- Vertical Installation: arrow on base plate points upwards.
- Horizontal Installation: arrow will point opposite way to lights.
- Fix the base plate to the wall using the screw holes.
- Choose your desired colour temperature by moving switch to either 3K/4K/5.5K.
- Plug the light onto the base by lining up arrow and 3-Pins with terminal.



Distributed by:

CDB

GROUP

PO Box 100-707
North Shore Mail Centre
Auckland

Manufactured to Ambius Lighting's specifications in the PRC.