

AMBIUS SECURITY LIGHT RANGE

SPECIFICATION SHEET

Product Code: ASEC10WB

Pronto Code: Q5080620



3K 4K 5K
3 COLOUR SWITCHABLE



10
Watts

10W Max. Must be installed by a qualified electrician.



IP54
Covered
Outdoor

Rated IP54, allowing for installation in a covered outdoor area.



Quick
Connect

Prewiring is simple with our quick connect plug.



Colour Temp
Switch

3 Colour temperature options by way of internal switch



800
Lumens

Luminaire output of 800.

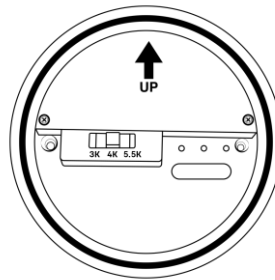


90° Beam
Angle

Beam angle of 90 degrees

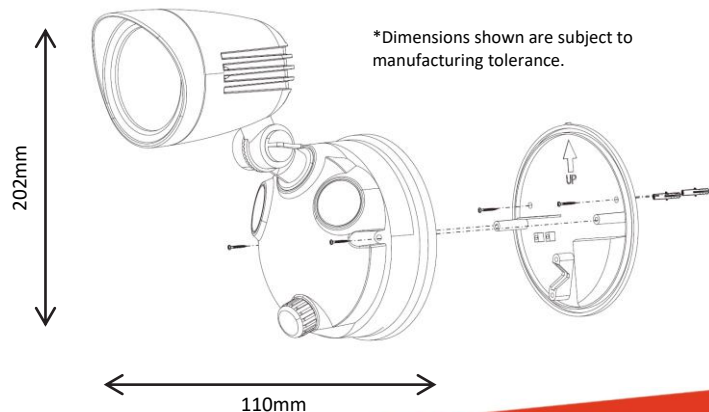
TECHNICAL SPECIFICATIONS

- 220-240V 50 HZ
- 10W Max., IP54
- 800 Lumens
- Colour temperature: 3000K, 4000K & 5500K
- 90° Beam angle
- Quick connect plug allows for simple installation once base has been fixed.
- Plug in sensors also make for easy addition.
- Frosted glass provides glare reduction.



INSTALLATION:

- Vertical Installation: arrow on base plate points upwards.
- Horizontal Installation: arrow will point opposite way to lights.
- Fix the base plate to the wall using the screw holes.
- Choose your desired colour temperature by moving switch to either 3K/4K/5.5K.
- Plug the light onto the base by lining up arrow and 3-Pins with terminal.



Distributed by:

CDB

GROUP

PO Box 100-707
North Shore Mail Centre
Auckland

Manufactured to Ambius Lighting's specifications in the PRC.