

# AMBIUS SENSOR RANGE

## SPECIFICATION SHEET

Product Code: ASLPIRB/ASLPIRW

Pronto Code: Q5080060/Q5080080



### TECHNICAL SPECIFICATIONS

- 220-240V 50~60Hz
- 300W Max LED
- IP44
- 180° Detection range, 12m Detection distance
- Time adjustment: 10sec 7min
- Lux adjustment: 10-2000LUX
- Manual Override Function
- 1-Year Warranty



Detection Range

Detection Range maximum of 12m.



Detection Angle

Detection angle of 180 degrees from point of sensor application.



Ingress Protection

Rated IP44, allowing for installation in an indoor area.



Lux Adjustment

Ambient light: 10-2000LUX which is adjustable. Use Sun and LUX dials to choose sensor options.



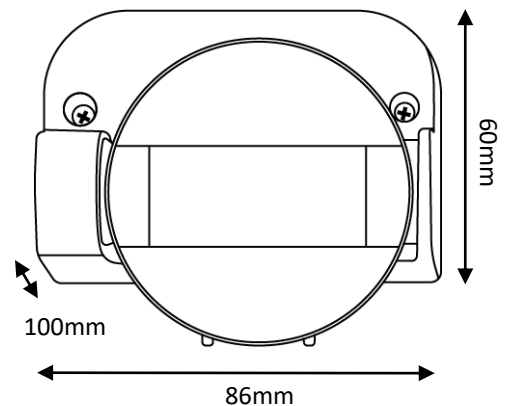
Max 300W LED

Rated load:  
2000W Max. (incandescent lamp) &  
300W Max. (energy-saving lamp).



Time On Adjustment

Time adjustment:  
Min: 10sec±3sec  
Max: 7min±2min



Distributed by:

**CDB** 

GROUP

PO Box 100-707  
North Shore Mail Centre  
Auckland

Manufactured to Ambius Lighting's specifications in the PRC.